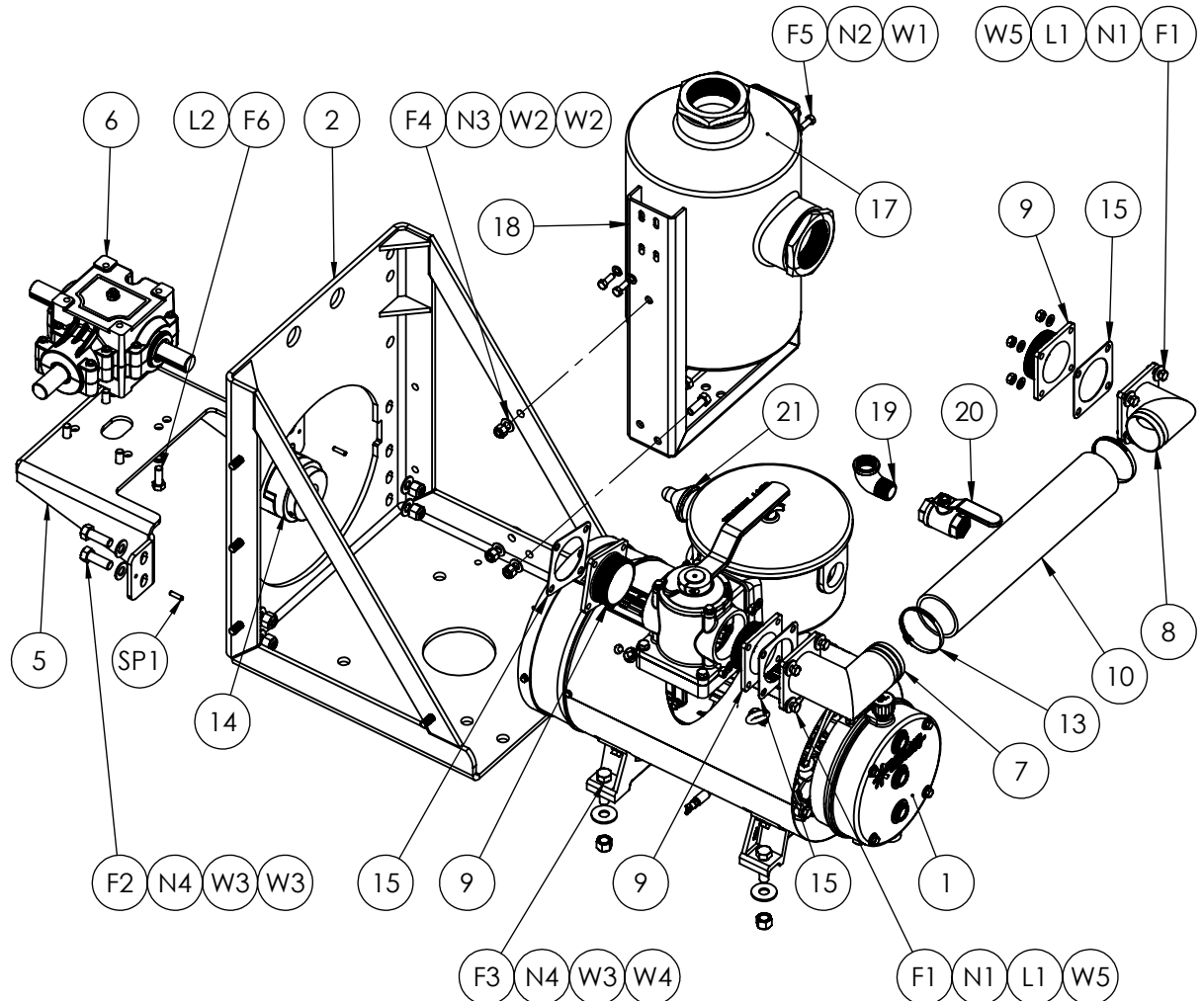


ITEM#	PART #	DESCRIPTION	QTY.
1	500LUF	500LUF Vacuum Pump	1
2	RF500-SC	Pedestal Frame	1
5	ADM09C	Angle Drive Mount	1
6	RF500-GB400	Right Angle Gear Box	1
7	FAM09C	Elbow Flange - Muffler Side	2
8	FAS09C	Elbow Flange - Secondary Shut-Off Side	1
9	FA-3NPT-M	3" NPT Diverter Flange	3
10	FAM09-03	Ø3" Rubber Hose (20" Long)	1
13	HCM-091-001	Hose Clamp - M8 - SCS 86-91	2
14	F190C-1250	F190 Coupling C/W 42mm Bore Flange-1/4" Key & Insert	1
15	RF500-57	Gasket - Pump Diverter Flange	3
17	M02	M02 Muffler	1
18	TFMJ-870-02	Muffler Mounting Bracket	1
19	CVSP-3100-1"FM90	90° Street Elbow (MxF) - 1" NPT	1
20	M09-A-07	Ball Valve - 1" NPT	1
21	VB	Vacuum Relief Valve - 1-1/2" NPT	1
Hex Bolts			
F1	HBM-100-350	Hex Bolt - M10 x 1.5 x 35mm Long - Z.P.	8
F2	HBI-600-170	Hex Bolt - 5/8"-11 NC x 1-3/4" Long - Z.P.	4
F3	5/8"X2-1/4" HEX HEAD	Hex Bolt - 5/8"-11 NC x 2-1/4" Long - Z.P.	4
F4	1/2 X 1-1/2	Hex Bolt - 1/2"-13 NC x 1-1/2" Long - Z.P.	3
F5	5/16x1-BOLT	Hex Bolt - 5/16"-18 NC x 1" Long - Z.P.	4
F6	HBI-500-005	Hex Bolt - 1/2"-13 NC x 1-3/8" Long - Z.P.	4
Hex Nuts			
N1	RF500-137A	Hex Nut - M10 x 1.5mm - Z.P.	8
N2	5/16" NYLOCK NUTS	Nylock Hex Nut - 5/16"-18 NC - Z.P.	4
N3	HNI-500-201	Nylock Hex Nut - 1/2"-13 NC - Z.P.	3
N4	5/8" NUT	Nylock Hex Nut - 5/8"-11 NC - Z.P.	8
Flat Washers			
W1	5/16" WASHER	Flat Washer - 5/16" - Z.P.	4
W2	1/2" F/W-SAE	Flat Washer, SAE (Small) - 1/2" - Z.P.	6
W3	5/8" F/W-SAE	Flat Washer, SAE (Small) - 5/8" - Z.P.	12
W4	5/8" F/W-USS	Flat Washer, USS (Large) - 5/8" - Z.P.	4
W5	M10-FW	Flat Washer - M10 - Z.P.	8
Lock Washers			
L1	RF120-94A	Lock Washer (Split) - 10mm	8
L2	1/2" L/W	Lock Washer (Split) - 1/2" - Z.P.	7
Spring Pins			
SP1	1/4" X 1" LG SPLIT PIN	Split Pin - 1/4" x 1" Long	2




ELIMINATOR A PACKAGE
 WITH 500LUF PUMP, ANGLE DRIVE
 GEAR BOX & MOUNT, AND M02 MUFFLER

PART # ELIM A-M02-500LUF

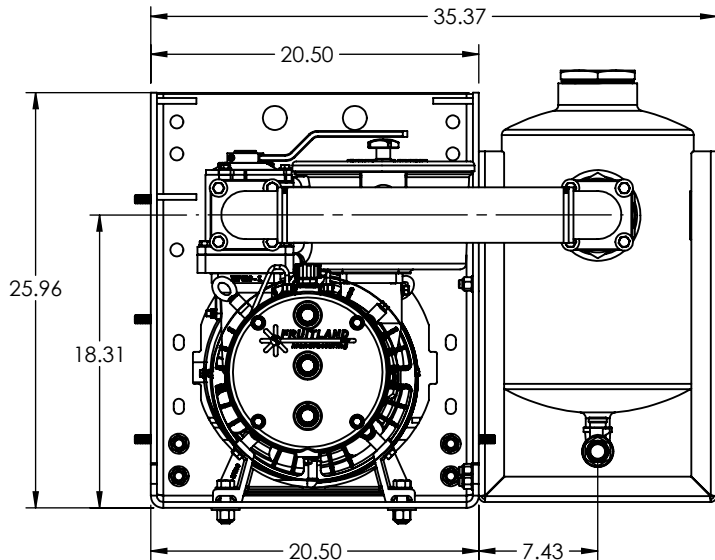
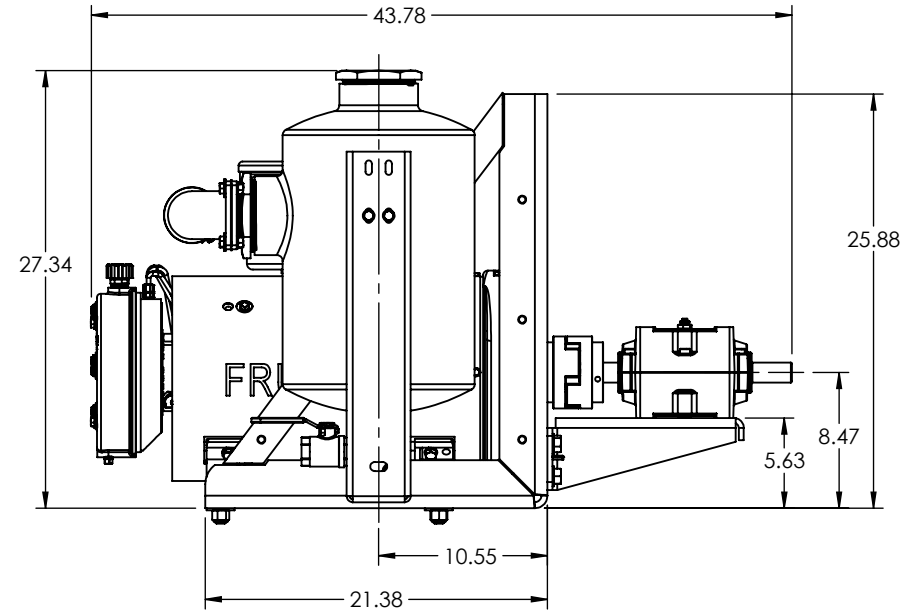
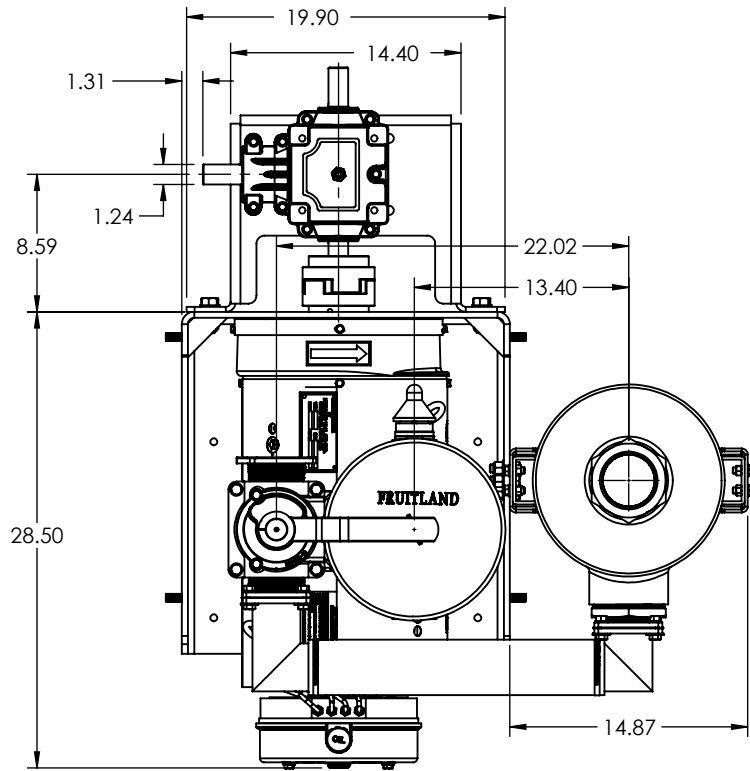
- NOTES:
 1. ALL FASTENERS TO BE SUPPLIED
 2. WEIGHT AS SHOWN: 718 LBS

REV. 0: CHANGED REV. FROM P0. UPDATED HARDWARE INFO IN BOM, 03/20/2023, I.P.

PROPRIETARY AND CONFIDENTIAL
 THE INFORMATION CONTAINED IN THIS DRAWING IS THE SOLE PROPERTY OF FRUITLAND MANUFACTURING. ANY REPRODUCTION IN PART OR AS A WHOLE WITHOUT THE WRITTEN PERMISSION OF FRUITLAND MFG. IS PROHIBITED.

NAME	DATE	 324 Leaside Avenue Stoney Creek, Ontario, CANADA L8E 2N7 Phone: (905) 662-6552 Fax: (905) 662-9875	
CREATED	Z.D. 02/27/2018		
CHECKED	K.A. 02/27/2018	TITLE:	
UNLESS OTHERWISE SPECIFIED: DIMENSIONS ARE IN INCHES TOLERANCES: FRACTIONAL OR .X = ±.015 .XX = ±.010 .XXX = ±.005		500LUF ELIM A-M with M02 MUFFLER - BOM	
MATERIAL	--	DWG. NO.	REV
		ELIM A-M02-500LUF	0
		SCALE: 1:12	WEIGHT:--
			SHEET 1 OF 2


NOTE: SHOWN WITH 500LUF PUMP
OTHER OPTIONS AVAILABLE



ELIMINATOR A PACKAGE
WITH 500LUF PUMP, ANGLE DRIVE
GEAR BOX & MOUNT, AND M02 MUFFLER

PART # ELIM A-M02-500LUF

CUSTOMER COPY

	NAME	DATE	 324 Leaside Avenue Stoney Creek, Ontario, CANADA L8E 2N7 Phone: (905) 662-6552 Fax: (905) 662-9875	
CREATED	Z.D.	02/27/18		
CHECKED	K.A.	02/27/18	TITLE:	
UNLESS OTHERWISE SPECIFIED: DIMENSIONS ARE IN INCHES TOLERANCES: FRACTIONAL OR .X = ±.015 .XX = ±.010 .XXX = ±.005			500LUF ELIM A-M with M02 MUFFLER - DIMENSIONS	
MATERIAL	--	SCALE: 1:12	DWG. NO.	REV
		WEIGHT:--	ELIM A-M02-500LUF	0
		SHEET 2 OF 2		

PROPRIETARY AND CONFIDENTIAL
THE INFORMATION CONTAINED IN THIS
DRAWING IS THE SOLE PROPERTY OF
FRUITLAND MANUFACTURING. ANY
REPRODUCTION IN PART OR AS A
WHOLE WITHOUT THE WRITTEN
PERMISSION OF FRUITLAND MFG. IS
PROHIBITED.