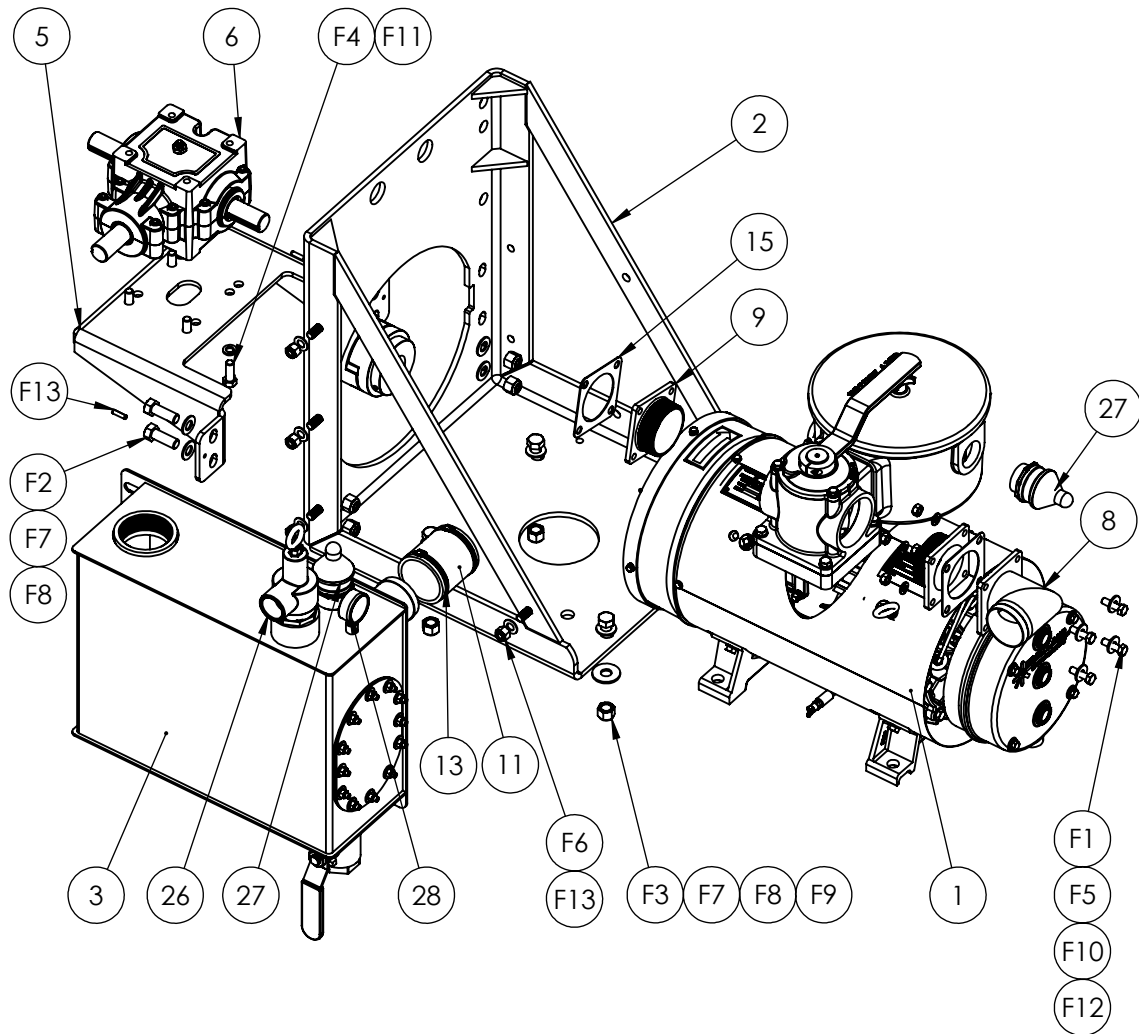


ITEM #	PART #	DESCRIPTION	QTY.
1	500LUF	RCF500 Vacuum Pump	1
2	RF500-SC	Pedastal Frame	1
3	RF500-S091R1C	S09 Secondary Shut-Off (See Parts Below)	1
5	ADM09C	Angle Drive Mount	1
6	RF500-GB400	Right Angle Gear Box	1
8	FAS09C	Flange - Secondary Shut-Off Side	1
9	FA-3NPT-M	3" NPT Flange for Diverter	2
11	FAS09-03	Rubber Hose - Ø3" x 4-3/4" Long - Secondary Side	1
13	HCM-091-001	Super Clamp - SCS 86-91	4
14	F190C-1250	F190 Coupling C/W 42mm Bore Flange - 1/4" Key & Insert	1
15	RF500-57	Gasket - Pump Flange	2
26	PRV-2"	Pressure Relief Valve - 2" NPT	1
27	VB	Vacuum Relief Valve - 1-1/2" NPT	2
28	PVG-2.5	Compound Pressure-Vacuum Gauge - 30 PSI x 30 VAC - 1/4" NPT	1
Hex Bolts			
F1	HBM-100-350	Hex Bolt - M10 x 1.5mm x 35mm Long - Z.P.	4
F2	HBI-600-170	Hex Bolt - 5/8"-11 NC x 1-3/4" Long - Z.P.	4
F4	HBI-500-005	Hex Bolt - 1/2"-13 NC x 1-3/8" Long - Z.P.	4
Hex Nuts			
F5	RF500-137A	Hex Nut - M10 x 1.5mm - Z.P.	4
F6	HNI-500-201	Nylock Hex Nut - 1/2"-13 NC - Z.P.	4
F7	5/8" NYLOCK NUTS	Nylock Hex Nut - 5/8"-11 NC - Z.P.	4
Washers - Flat & Lock			
F8	5/8" F/W-SAE	Flat Washer, SAE (Small) - 5/8" - Z.P.	8
F9	5/8" F/W-USS	Flat Washer, USS (Large) - 5/8" - Z.P.	4
F10	RF120-94A	Lock Washer (Split) - M10	8
F11	1/2" L/W	Lock Washer (Split) - 1/2" - Z.P.	4
F12	M10-FW	Flat Washer - M10 - Z.P.	4
F13	1/2"-F/W-SAE	Flat Washer, SAE (Small) - 1/2" - Z.P.	4
Split Pins			
F14	1/4" X 1" LG SPLIT PIN	Split Pin - 1/4" x 1" Long	2




## PART # ELIM A-S500LUF

### NOTES:

- ALL FASTENERS TO BE SUPPLIED

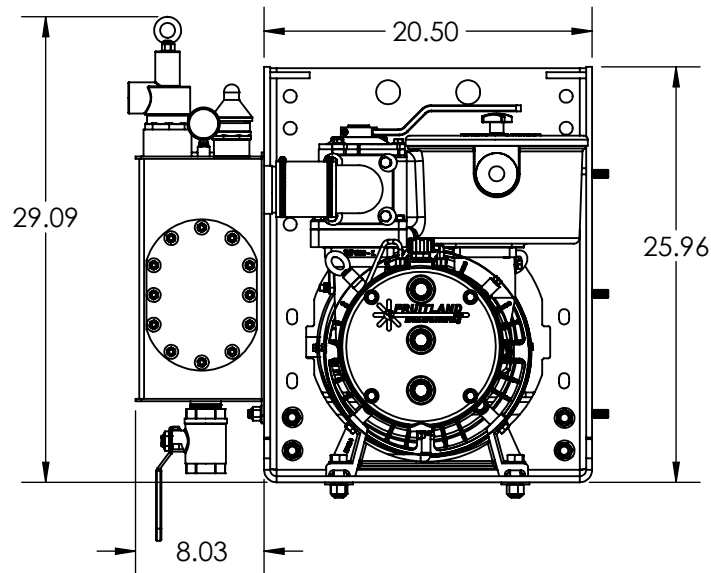
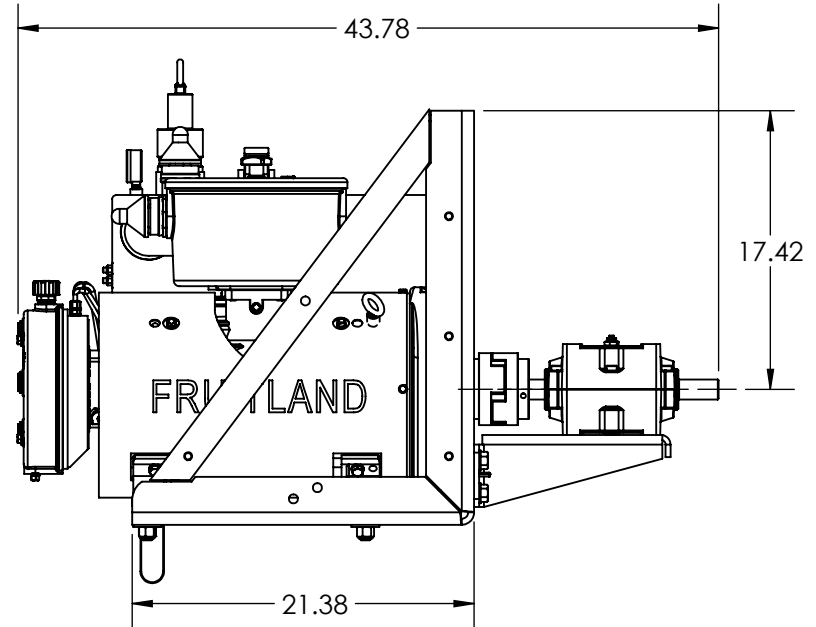
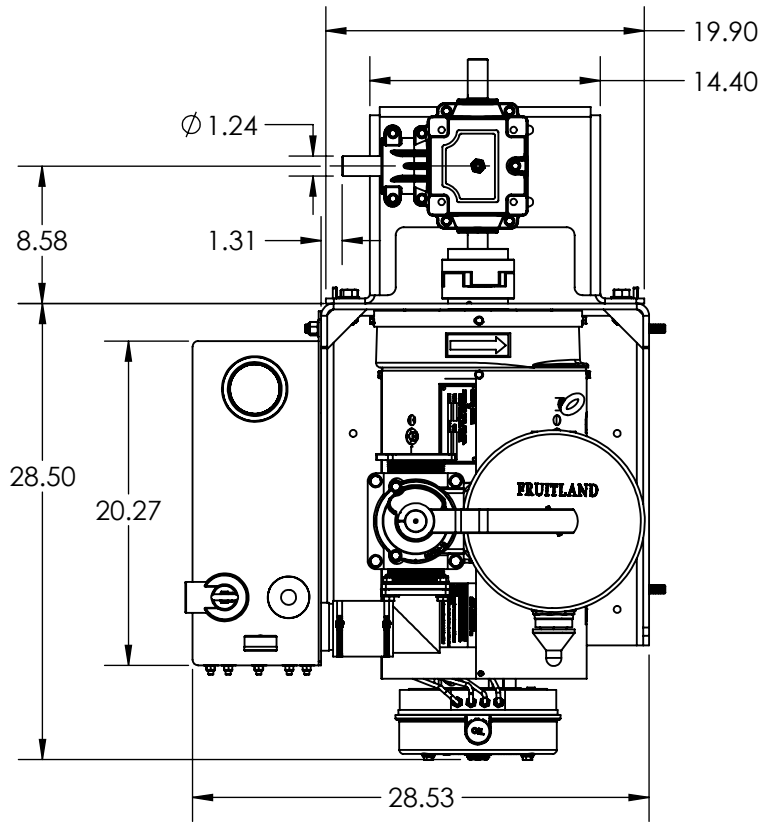
WEIGHT AS SHOWN: 711 LB

DCR #1008, REV. 1: UPDATED BOM, ADDED DIMS (PAGE 2), 02/23/2023, I.P.

NAME	DATE	 <small>324 Leaside Avenue Stoney Creek, Ontario, CANADA L8E 2N7 Phone: (905) 662-6552 Fax: (905) 662-9875</small>	TITLE:	
CREATED	S.B. 28/01/13		ELIMINATOR A-S PACKAGE - BOM	
CHECKED	W.D. 22/02/13	DWG. NO.		REV
UNLESS OTHERWISE SPECIFIED: DIMENSIONS ARE IN INCHES TOLERANCES: FRACTIONAL OR .X = ±.015 .XX = ±.010 .XXX = ±.005		ELIM A-S500LUF		1
MATERIAL	--	SCALE: 1:12	WEIGHT:--	SHEET 1 OF 2


**PROPRIETARY AND CONFIDENTIAL**  
THE INFORMATION CONTAINED IN THIS DRAWING IS THE SOLE PROPERTY OF FRUITLAND MANUFACTURING. ANY REPRODUCTION IN PART OR AS A WHOLE WITHOUT THE WRITTEN PERMISSION OF FRUITLAND MFG. IS PROHIBITED.

NOTE: SHOWN WITH RF500LUF PUMP  
OTHER OPTIONS AVAILABLE



**PART # ELIM A-S500LUF**

DCR #1008, REV. 1: UPDATED BOM, ADDED DIMS (PAGE 2), 02/23/2023, I.P.

	NAME	DATE	 <b>FRUITLAND</b> 324 Leaside Avenue Stoney Creek, Ontario, CANADA L8E 2N7 Phone: (905) 662-6552 Fax: (905) 662 9875
CREATED	I.P.	02/23/2023	
CHECKED			TITLE:
UNLESS OTHERWISE SPECIFIED: DIMENSIONS ARE IN INCHES TOLERANCES: FRACTIONAL OR .X = ±.015 .XX = ±.010 .XXX = ±.005			ELIMINATOR A-S PACKAGE - DIMS
MATERIAL			DWG. NO.
--			ELIM A-S500LUF
SCALE: 1:12			REV
WEIGHT:--			1
SHEET 2 OF 2			

**PROPRIETARY AND CONFIDENTIAL**  
THE INFORMATION CONTAINED IN THIS DRAWING IS THE SOLE PROPERTY OF **FRUITLAND MANUFACTURING**. ANY REPRODUCTION IN PART OR AS A WHOLE WITHOUT THE WRITTEN PERMISSION OF FRUITLAND MFG. IS PROHIBITED.