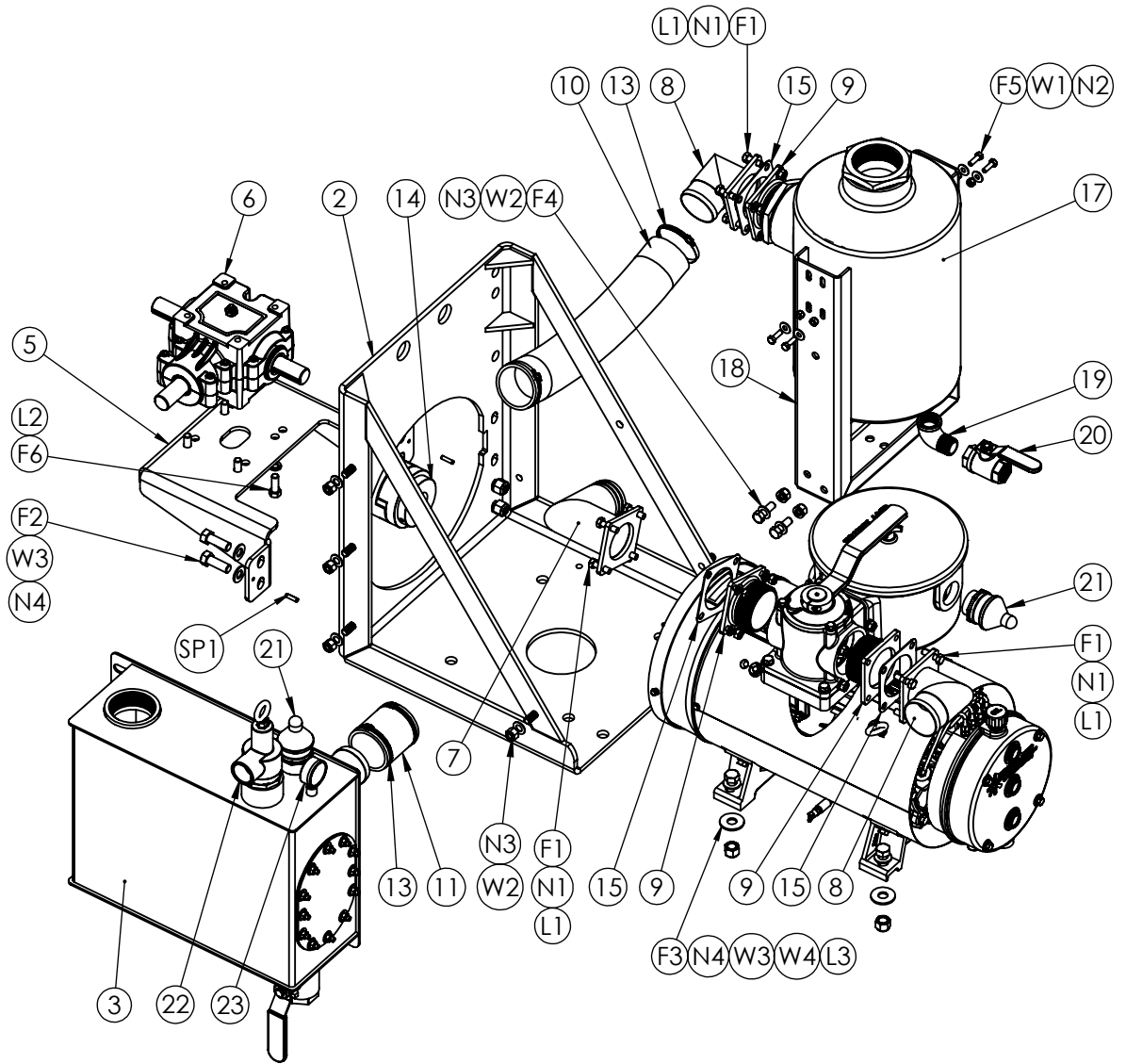


ITEM#	PART #	DESCRIPTION	QTY.
1	500LUF	500LUF Vacuum Pump	1
2	RF500-SC	Pedestal Frame	1
3	RF500-S09L	Secondary Shut-Off	1
5	ADM09C	Angle Drive Mount	1
6	RF500-GB400	Right Angle Gear Box	1
7	FAM09C	Flange - Muffler Side	1
8	FAS09C	Flange - Secondary Shut-Off Side	2
9	FA-3NPT-M	3" NPT Flange For Diverter	3
10	FAM09-03	Rubber Hose - Ø3" x 20" Long (Muffler Side)	1
11	FAS09-03	Rubber Hose - Ø3" x 4-3/4" Long (Sec. Side)	1
13	HCM-091-001	Super Clamp SCS 86-91	4
14	F190C-1250	F190 Coupling C/W 42mm Bore Flange-1/4" Key & Insert	1
15	RF500-57	Gasket - Pump Flange	3
17	M02	M02 Muffler, 3in NPT	1
18	TFMJ-15-02	Pipe Muffler Bracket C	1
19	CVSP-3100-1"FM90	90° Street Elbow - 1" NPT	1
20	M09-A-07	Ball Valve - 1" NPT	1
21	VB	Vacuum Relief Valve - 1-1/2" NPT	2
22	PRV-2"	Pressure Relief Valve - 2" NPT	1
23	PVG-2.5	Compound Gauge - 2.5", 30"VAC-30PSI	1
24	S09-A-14	Ball Valve - 1-1/2" NPT	1
Hex Bolts			
F1	HBM-100-350	Hex Bolt - M10 x 1.5mm x 35mm Long - Z.P.	12
F2	HBI-600-170	Hex Bolt - 5/8"-11 NC x 1-3/4" Long - Z.P.	4
F3	5/8"X2-1/4" HEX HEAD	Hex Bolt - 5/8"-11 NC x 2-1/4" Long - Z.P.	4
F4	1/2 X 1-1/2	Hex Bolt - 1/2"-13 NC x 1-1/2" Long - Z.P.	3
F5	5/16"x1"-BOLT	Hex Bolt - 5/16"-18 NC x 1" Long - Z.P.	4
F6	HBI-500-005	Hex Bolt - 1/2"-13 NC x 1-3/8" Long - Z.P.	4
Hex Nuts			
N1	RF500-137A	Hex Nut - M10 x 1.5mm - Z.P.	12
N2	5/16" Nylock Nuts	Nylock Hex Nut - 5/16"-18 NC - Z.P.	4
N3	HNI-500-201	Nylock Hex Nut - 1/2"-13 NC - Z.P.	6
N4	5/8" NYLOCK NUT	Nylock Hex Nut - 5/8"-11 NC - Z.P.	8
Flat Washers			
W1	5/16" WASHER	Flat Washer - 5/16" - Z.P.	4
W2	1/2" F/W-SAE	Flat Washer, SAE (Small) - 1/2" - Z.P.	6
W3	5/8" F/W-SAE	Flat Washer, SAE (Small) - 5/8" - Z.P.	8
W4	5/8" F/W-USS	Flat Washer, USS (Large) - 5/8" Z.P.	4
W5	M10-FW	Flat Washer - M10 - Z.P.	12
Lock Washers			
L1	RF120-94A	Lock Washer - M10 - Z.P.	12
L2	1/2" L/W	Lock Washer, 1/2" - Z.P.	4
Spring Pins			
SP1	1/4" X 1" LG SPLIT PIN	Split Pin - 1/4" x 1" Long	2

## CUSTOMER COPY




**ELIM A-SM02 COMPLETE ASSEMBLY**  
WITH 500LUF PUMP, RIGHT ANGLE GEAR BOX  
& MOUNT, S09 SECONDARY SHUTOFF, AND  
M02 MUFFLER

**PART # ESA-05L1-12**

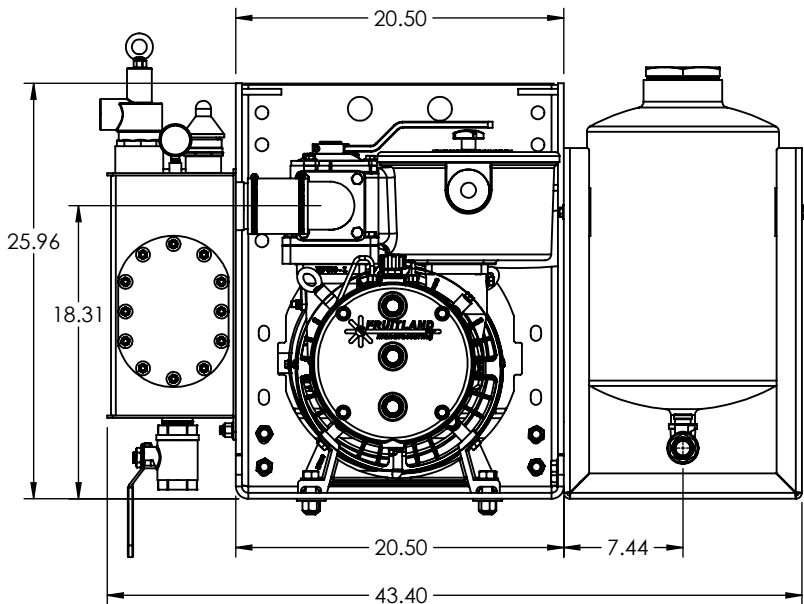
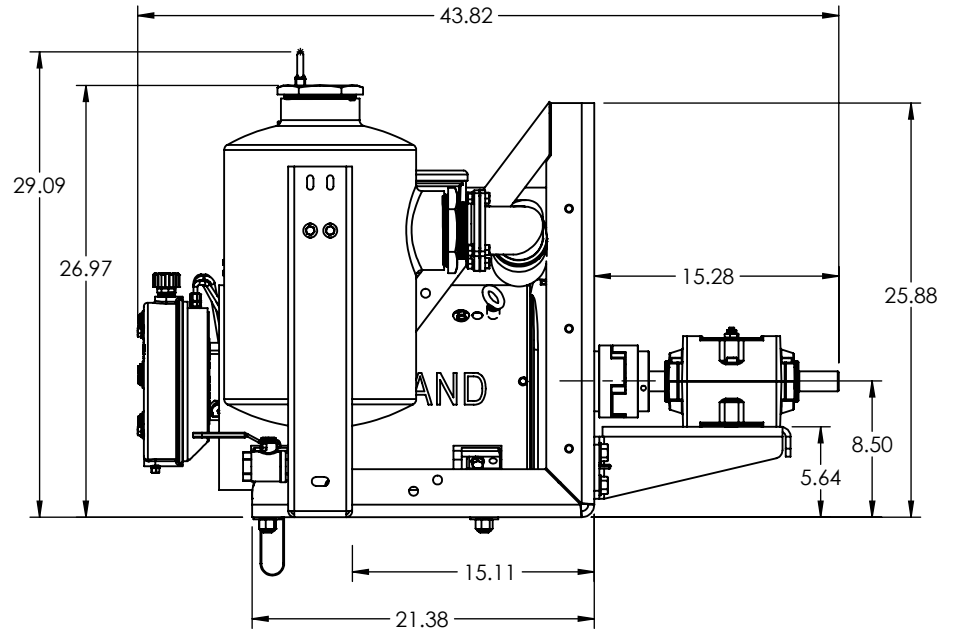
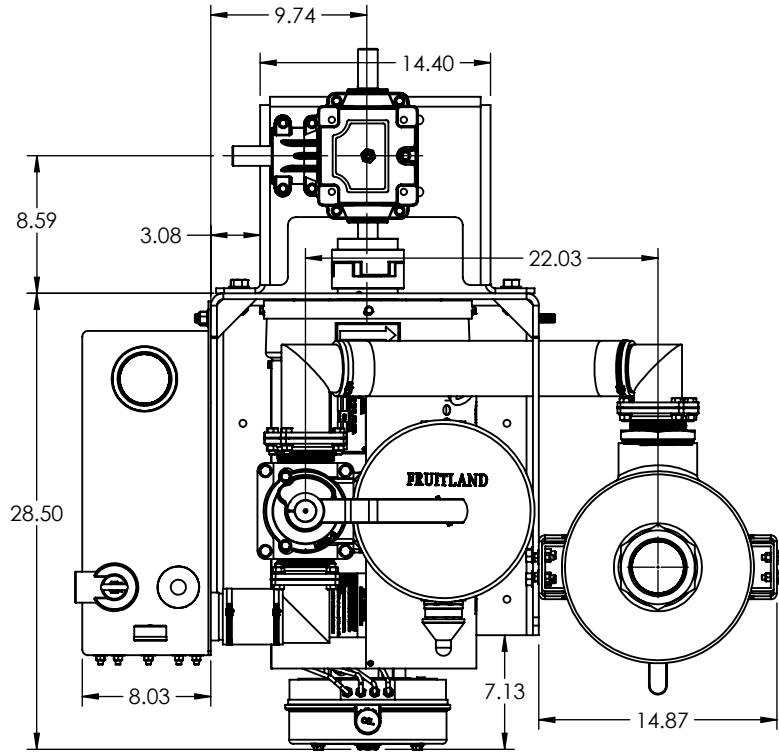
NOTES:  
ALL FASTENERS TO BE SUPPLIED

**PROPRIETARY AND CONFIDENTIAL**  
THE INFORMATION CONTAINED IN THIS  
DRAWING IS THE SOLE PROPERTY OF  
**FRUITLAND MANUFACTURING**. ANY  
REPRODUCTION IN PART OR AS A  
WHOLE WITHOUT THE WRITTEN  
PERMISSION OF FRUITLAND MFG. IS  
PROHIBITED.

REV. 0: UPDATED PART #, UPDATED BOM, 06/23/2023, I.P.

NAME	DATE	 324 Leaside Avenue Stoney Creek, Ontario, CANADA L8E 2N7 Phone: (905) 662-6552 Fax: (905) 662-9875	
CREATED	Z.D. 08/03/2021	TITLE:	
CHECKED	K.A. 08/03/2021	ESA-05L1-12 with M02 MUFFLER - BOM	
UNLESS OTHERWISE SPECIFIED: DIMENSIONS ARE IN INCHES TOLERANCES: FRACTIONAL OR .X = ±.015 .XX = ±.010 .XXX = ±.005		DWG. NO.	REV
MATERIAL		ESA-05L1-12	0
SCALE: 1:12		WEIGHT:--	SHEET 1 OF 2


NOTE: SHOWN WITH RF500LUF PUMP  
OTHER OPTIONS AVAILABLE



**ELIM A-SM02 COMPLETE ASSEMBLY**  
WITH 500LUF PUMP, RIGHT ANGLE GEAR BOX  
& MOUNT, S09 SECONDARY SHUTOFF, AND  
M02 MUFFLER

**PART # ESA-05L1-12**

**CUSTOMER COPY**

	NAME	DATE	 324 Leaside Avenue Stoney Creek, Ontario, CANADA L8E 2N7 Phone: (905) 662-6552 Fax: (905) 662-9875	
CREATED	Z.D.	08/03/21		
CHECKED	K.A.	08/03/21	TITLE:	
UNLESS OTHERWISE SPECIFIED: DIMENSIONS ARE IN INCHES TOLERANCES: FRACTIONAL OR .X = ±.015 .XX = ±.010 .XXX = ±.005			ESA-05L1-12 with Muffler M02 Dimensions	
MATERIAL	--	SCALE: 1:12	DWG. NO.	REV
		WEIGHT:--	ESA-05L1-12	0
		SHEET 2 OF 2		

**PROPRIETARY AND CONFIDENTIAL**  
THE INFORMATION CONTAINED IN THIS  
DRAWING IS THE SOLE PROPERTY OF  
**FRUITLAND MANUFACTURING**. ANY  
REPRODUCTION IN PART OR AS A  
WHOLE WITHOUT THE WRITTEN  
PERMISSION OF FRUITLAND MFG. IS  
PROHIBITED.

OLD PART#: ELIM A-SM02-500LUF

5

4

3

2

1