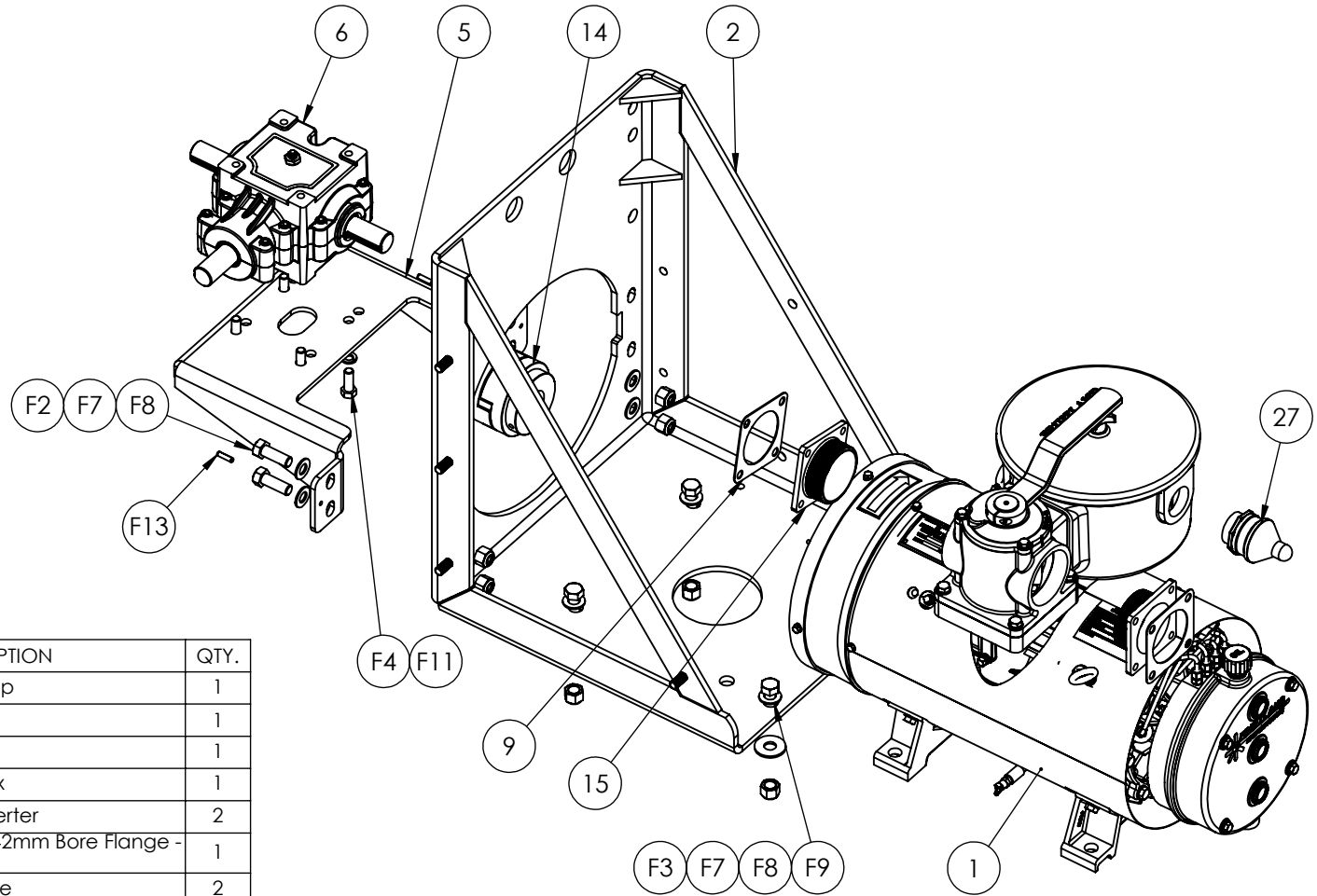


PART # ELIM A500LUF

NOTES:


1. ALL FASTENERS TO BE SUPPLIED

WEIGHT AS SHOWN: 628 LBS



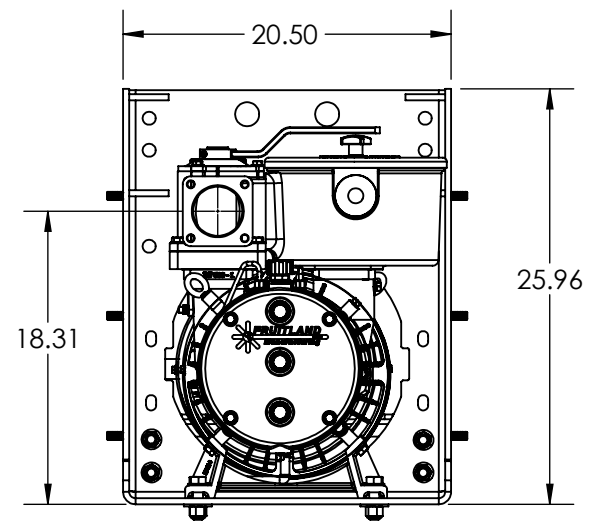
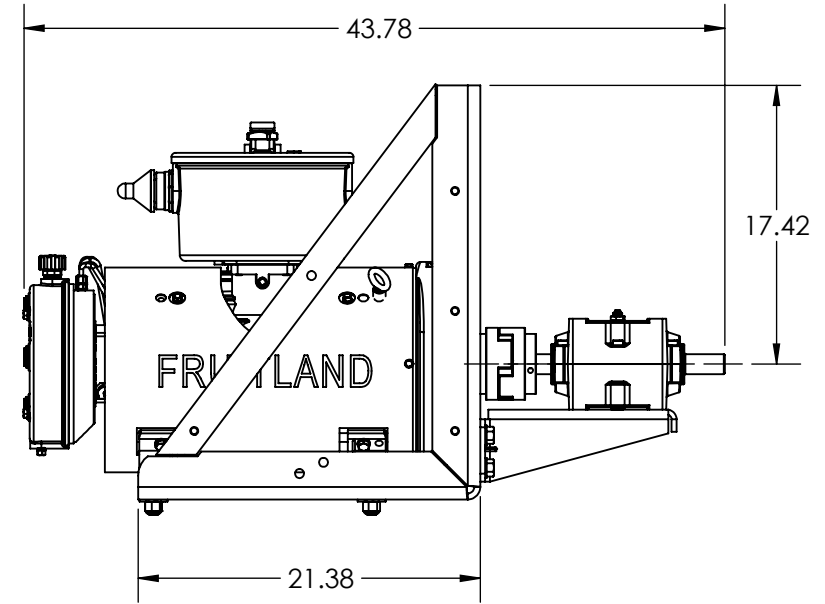
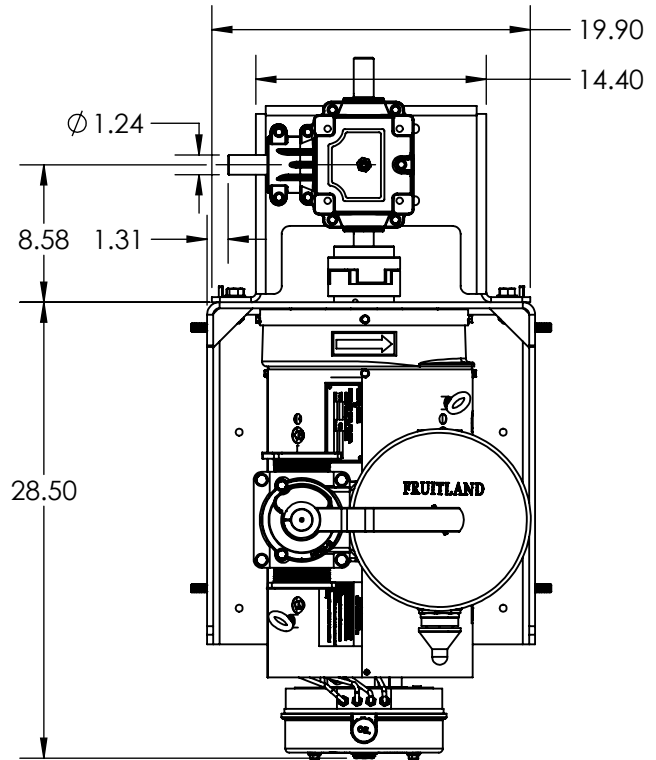
| ITEM # | PART # | DESCRIPTION | QTY. |
|--------------|------------------------|--|------|
| 1 | 500LUF | 500LUF Vacuum Pump | 1 |
| 2 | RF500-SC | Pedestal Frame | 1 |
| 5 | ADM09C | Angle Drive Mount | 1 |
| 6 | RF500-GB400 | Right Angle Gear Box | 1 |
| 9 | FA-3NPT-M | 3" NPT Flange for Diverter | 2 |
| 14 | F190C-1250 | F190 Coupling C/W 42mm Bore Flange - 1/4" Key & Insert | 1 |
| 15 | RF500-57 | Gasket - Pump Flange | 2 |
| 27 | VB | Vacuum Relief Valve - 1-1/2" NPT | 2 |
| Hex Bolts | | | |
| F2 | HBI-600-170 | Hex Bolt - 5/8"-11 NC x 1-3/4" Long - Z.P. | 4 |
| F3 | 5/8"X2-1/4" HEX HEAD | Hex Bolt - 5/8"-11 NC x 2-1/4" Long - Z.P. | 4 |
| F4 | HBI-500-005 | Hex Bolt - 1/2"-13 NC x 1-3/8" Long - Z.P. | 4 |
| Hex Nuts | | | |
| F7 | 5/8" NYLOCK NUTS | Nylock Hex Nut - 5/8"-11 NC - Z.P. | 8 |
| Flat Washers | | | |
| F8 | 5/8" F/W-SAE | Flat Washer, SAE (Small) - 5/8" - Z.P. | 8 |
| F9 | 5/8" F/W-USS | Flat Washer, USS (Large) - 5/8" - Z.P. | 4 |
| Lock Washers | | | |
| F11 | 1/2" L/W | Lock Washer (Split) - 1/2" - Z.P. | 4 |
| Split Pins | | | |
| F13 | 1/4" X 1" LG SPLIT PIN | Split Pin - 1/4" x 1" Long | 2 |

DCR #1008, REV. 1: UPDATED BOM, ADDED PAGE 2, 02/23/2023, I.P.


| | | | |
|---|---------------|---|----------------------|
| NAME | DATE |  FRUITLAND 324 Leaside Avenue Stoney Creek, Ontario, CANADA L8E 2N7 Phone: (905) 662-6552 Fax: (905) 662-9875 | TITLE: |
| CREATED | S.B. 28/01/13 | | ELIMINATOR A PACKAGE |
| CHECKED | W.D. 22/02/13 | DWG. NO. | REV |
| UNLESS OTHERWISE SPECIFIED: DIMENSIONS ARE IN INCHES TOLERANCES: FRACTIONAL OR .X = ±.015 .XX = ±.010 .XXX = ±.005 | | ELIM A500LUF | 1 |
| MATERIAL | -- | SCALE: 1:10 | WEIGHT:-- |
| | | SHEET 1 OF 2 | |

PROPRIETARY AND CONFIDENTIAL
 THE INFORMATION CONTAINED IN THIS DRAWING IS THE SOLE PROPERTY OF FRUITLAND MANUFACTURING. ANY REPRODUCTION IN PART OR AS A WHOLE WITHOUT THE WRITTEN PERMISSION OF FRUITLAND MFG. IS PROHIBITED.

NOTE: SHOWN WITH 500LUF PUMP
OTHER OPTIONS AVAILABLE



PART # ELIM A500LUF

| | | | |
|----------|------|--------------|---|
| | NAME | DATE |  324 Leaside Avenue Stoney Creek, Ontario, CANADA L8E 2N7 Phone: (905) 662-6552 Fax: (905) 662-9875 |
| CREATED | I.P. | 02/23/2023 | |
| CHECKED | | | TITLE: |
| | | | ELIMINATOR A PACKAGE |
| | | | DWG. NO. |
| | | | ELIM A500LUF |
| | | | REV |
| | | | 1 |
| MATERIAL | -- | SCALE: 1:12 | WEIGHT:-- |
| | | SHEET 2 OF 2 | |

OLD DWG. # ELIM A-SM DIMENSIONS
PROPRIETARY AND CONFIDENTIAL
 THE INFORMATION CONTAINED IN THIS DRAWING IS THE SOLE PROPERTY OF **FRUITLAND MANUFACTURING**. ANY REPRODUCTION IN PART OR AS A WHOLE WITHOUT THE WRITTEN PERMISSION OF FRUITLAND MFG. IS PROHIBITED.