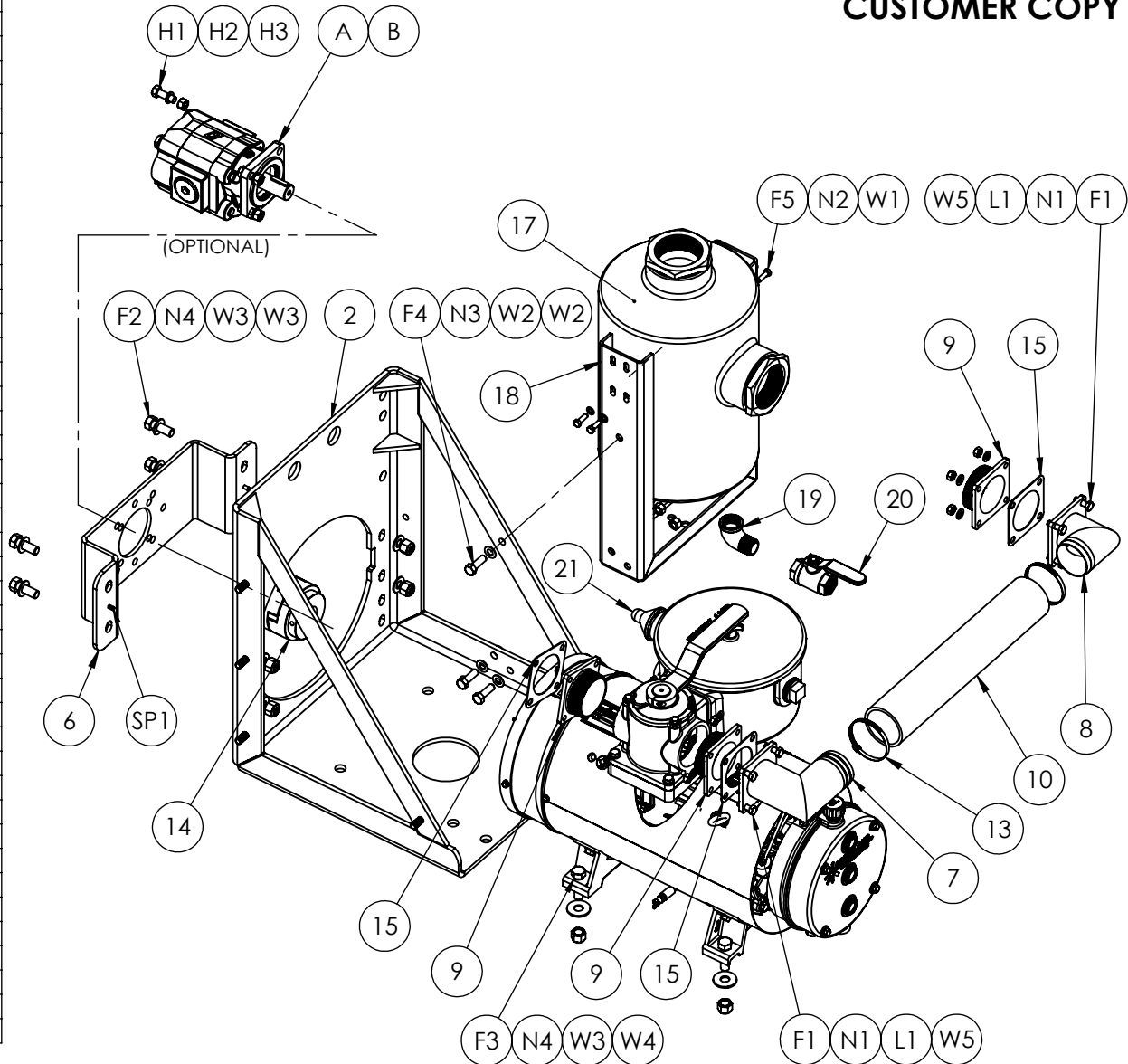


ITEM#	PART #	DESCRIPTION	QTY.
1	500LUF	500LUF Vacuum Pump	1
2	RF500-SC	Pedestal Frame	1
6	HDM09C	Hydraulic Motor Mount	1
7	FAM09C	Elbow Flange - Muffler Side	2
8	FAS09C	Elbow Flange - Secondary Side	1
9	FA-3NPT-M	3" NPT Flange For Diverter	3
10	FAM09-03	Ø3" Rubber Hose (20" Long)	1
13	HCM-091-001	Hose Clamp - M8 - SCS 86-91	2
14	F190C-1250	F190 Coupling C/W 42mm Bore Flange-1/4" Key & Insert	1
15	RF500-57	Gasket - Pump Diverter Flange	3
17	M02	M02 Muffler	1
18	TFMJ-15-02	Pipe Muffler Bracket C	1
19	CVSP-3100-1"FM90	90° Street Elbow - 1" NPT	1
20	M09-A-07	Ball Valve - 1" NPT	1
21	VB	Vacuum Relief Valve - 1-1/2" NPT	1
Hex Bolts			
F1	HBM-100-350	Hex Bolt - M10x1.5x35mm Long - Z.P.	8
F2	HBI-600-170	Hex Bolt - 5/8"-11 NC x 1-3/4" Long - Z.P.	4
F3	5/8"X2-1/4" HEX HEAD	Hex Bolt - 5/8"-11 NC x 2-1/4" Long - Z.P.	4
F4	1/2 X 1-1/2	Hex Bolt - 1/2"-13 NC x 1-1/2" Long - Z.P.	3
F5	5/16X1-BOLT	Hex Bolt - 5/16"-18 NC x 1" Long - Z.P.	4
Hex Nuts			
N1	RF500-137A	Hex Nut - M10 x 1.5mm - Z.P.	8
N2	5/16" Nylock Nuts	Nylock Hex Nut - 5/16"-18 NC - Z.P.	4
N3	HNI-500-201	Nylock Hex Nut - 1/2"-13 NC - Z.P.	3
N4	5/8" NUT	Nylock Hex Nut - 5/8"-11 NC - Z.P.	8
Flat Washers			
W1	5/16" WASHER	Flat Washer - 5/16" - Z.P.	4
W2	1/2" F/W-SAE	Flat Washer, SAE (Small) - 1/2" - Z.P.	6
W3	5/8" F/W-SAE	Flat Washer, SAE (Small) - 5/8" - Z.P.	12
W4	5/8" F/W-USS	Flat Washer, USS, (Large) - 5/8" - Z.P.	4
W5	M10-FW	Flat Washer - M10 - Z.P.	8
Lock Washers			
L1	RF120-94A	Lock Washer (Split) - 10mm - Z.P.	8
Spring Pins			
SP1	1/4" X 1" LG SPLIT PIN	Split Pin - 1/4" x 1" Long	2
HYDRAULIC MOTOR & HARDWARE (OPTIONAL)			
A	P500-HM	Hydraulic Motor	1
B	P500-HMBOS	Hydraulic Motor	1
H1	1/2" X 1-1/2	Hex Bolt - 1/2"-13 NC x 1-1/2" Long - Z.P.	4
H2	1/2" L/W	Lock Washer - 1/2" - Z.P.	4
H3	1/2" NUT	Hex Nut - 1/2"-13 NC - Z.P.	4

NOTES:  
 1. ALL FASTENERS TO BE SUPPLIED  
 2. WEIGHT AS SHOWN: 680 LBS

REV. 0: CHANGED FROM REV. P0, UPDATED HARDWARE INFO IN BOM, ADDED HYD. MOTOR INFO, 03/20/2023, I.P.

HYDRAULIC MOTOR SPECIFICATIONS							
ITEM #	PART #	DISP. (IN³)	MAX PRESSURE	MOUNTING FACE	SHAFT DIA.	KEY SIZE	PORT SIZE (INLET/OUTLET)
A	P500-HM	5.70	3000 PSI	SAE B - 4 BOLT	1.25"	5/16"	-20 ORB
B	P500-HMBOS	5.70	3000 PSI	SAE B - 4 BOLT	1.25"	5/16"	1-1/2" NPT

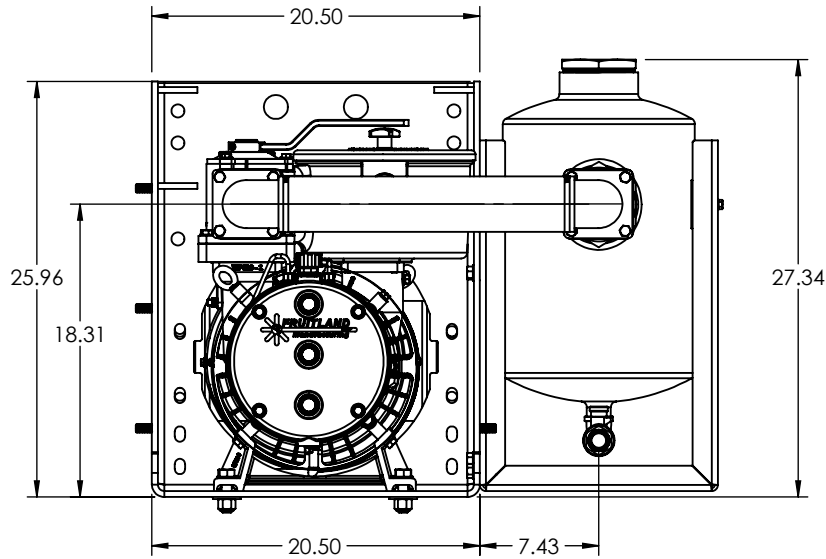
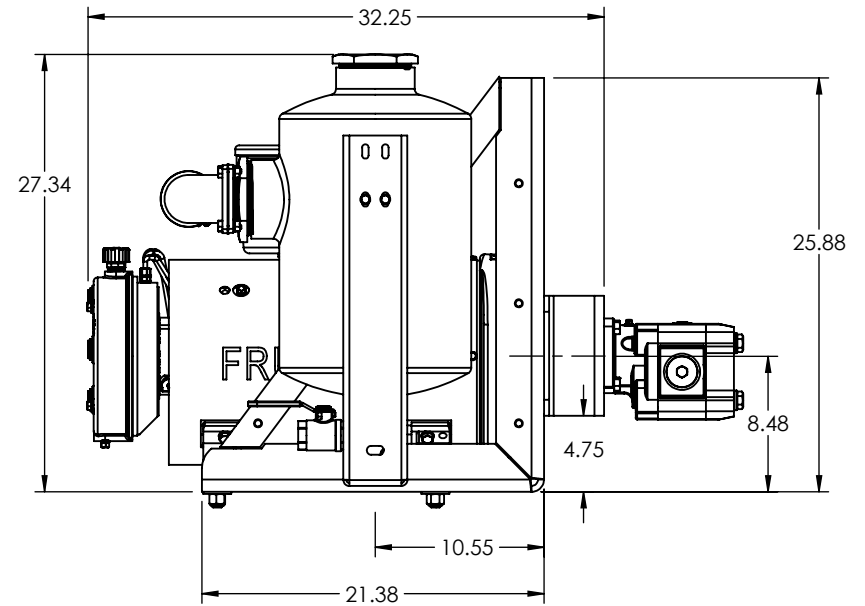
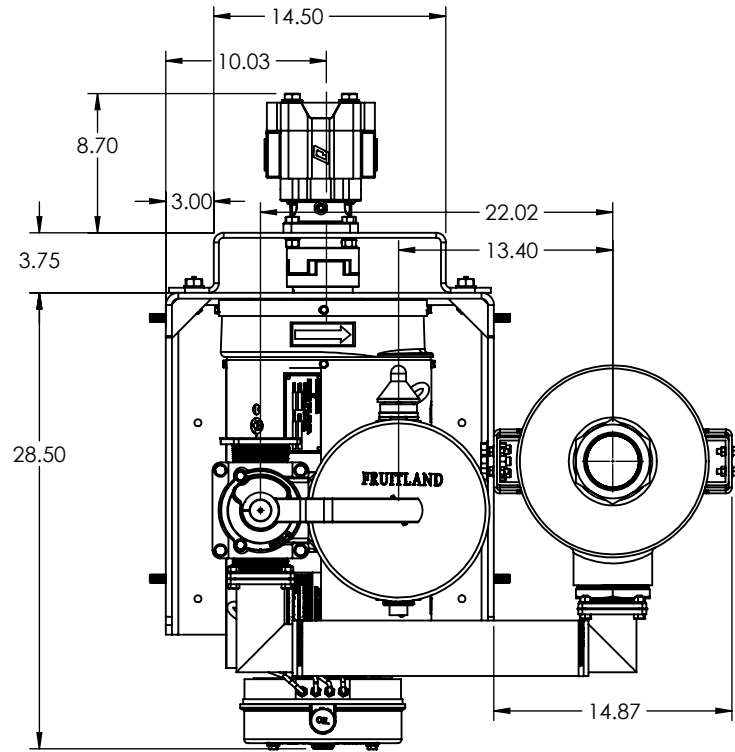


**ELIMINATOR H PACKAGE**  
 WITH 500LUF PUMP & M02 MUFFLER  
**PART # ELIM H-M02-500LUF**

**PROPRIETARY AND CONFIDENTIAL**  
 THE INFORMATION CONTAINED IN THIS DRAWING IS THE SOLE PROPERTY OF FRUITLAND MANUFACTURING. ANY REPRODUCTION IN PART OR AS A WHOLE WITHOUT THE WRITTEN PERMISSION OF FRUITLAND MFG. IS PROHIBITED.


NAME	DATE		324 Leaside Avenue Stoney Creek, Ontario, CANADA L8E 2N7 Phone: (905) 662-6552 Fax: (905) 662-9875	
CREATED	Z.D. 01/11/2019		TITLE:	500LUF ELIM H-M with M02 MUFFLER - BOM
CHECKED	K.A. 01/11/2019	DWG. NO.	ELIM H-M02-500LUF	
UNLESS OTHERWISE SPECIFIED: DIMENSIONS ARE IN INCHES TOLERANCES: FRACTIONAL OR .X = ±.015 .XX = ±.010 .XXX = ±.005		REV	0	
MATERIAL	--	SCALE: 1:12	WEIGHT:--	SHEET 1 OF 2

NOTES:  
 1. SHOWN WITH 500LUF PUMP,  
 OTHER OPTIONS AVAILABLE  
 2. HYD. MOTOR IS OPTIONAL



**ELIMINATOR H PACKAGE**  
 WITH 500LUF PUMP & M02 MUFFLER  
**PART # ELIM H-M02-500LUF**

**CUSTOMER COPY**

	NAME	DATE	 324 Leaside Avenue Stoney Creek, Ontario, CANADA L8E 2N7 Phone: (905) 662-6552 Fax: (905) 662 9875
CREATED	Z.D.	01/11/2019	
CHECKED	K.A.	01/11/2019	TITLE:
UNLESS OTHERWISE SPECIFIED: DIMENSIONS ARE IN INCHES TOLERANCES: FRACTIONAL OR .X = ±.015 .XX = ±.010 .XXX = ±.005			500LUF ELIM H-M with M02 MUFFLER - DIMS
MATERIAL	--	SCALE: 1:12	DWG. NO. ELIM H-M02-500LUF
		WEIGHT:--	REV 0
		SHEET 2 OF 2	

**PROPRIETARY AND CONFIDENTIAL**  
 THE INFORMATION CONTAINED IN THIS  
 DRAWING IS THE SOLE PROPERTY OF  
**FRUITLAND MANUFACTURING**. ANY  
 REPRODUCTION IN PART OR AS A  
 WHOLE WITHOUT THE WRITTEN  
 PERMISSION OF FRUITLAND MFG. IS  
 PROHIBITED.