

# ELIMINATOR H PACKAGE WITH 500LUF PUMP & SECONDARY SHUT-OFF

DCR 1009, REV. 1; UPDATED BOM, ADDED HYD. MOTOR, ADDED PAGE 2, 02/27/2023, I.P.

## PART # ELIM H-S500LUF

### NOTES:

1. DRIVE COUPLINGS TO BE CUSTOMER SPECIFIED
2. ALL FASTENERS TO BE SUPPLIED
3. WEIGHT AS SHOWN: 684 LBS. (W/O HYD. MOTOR)

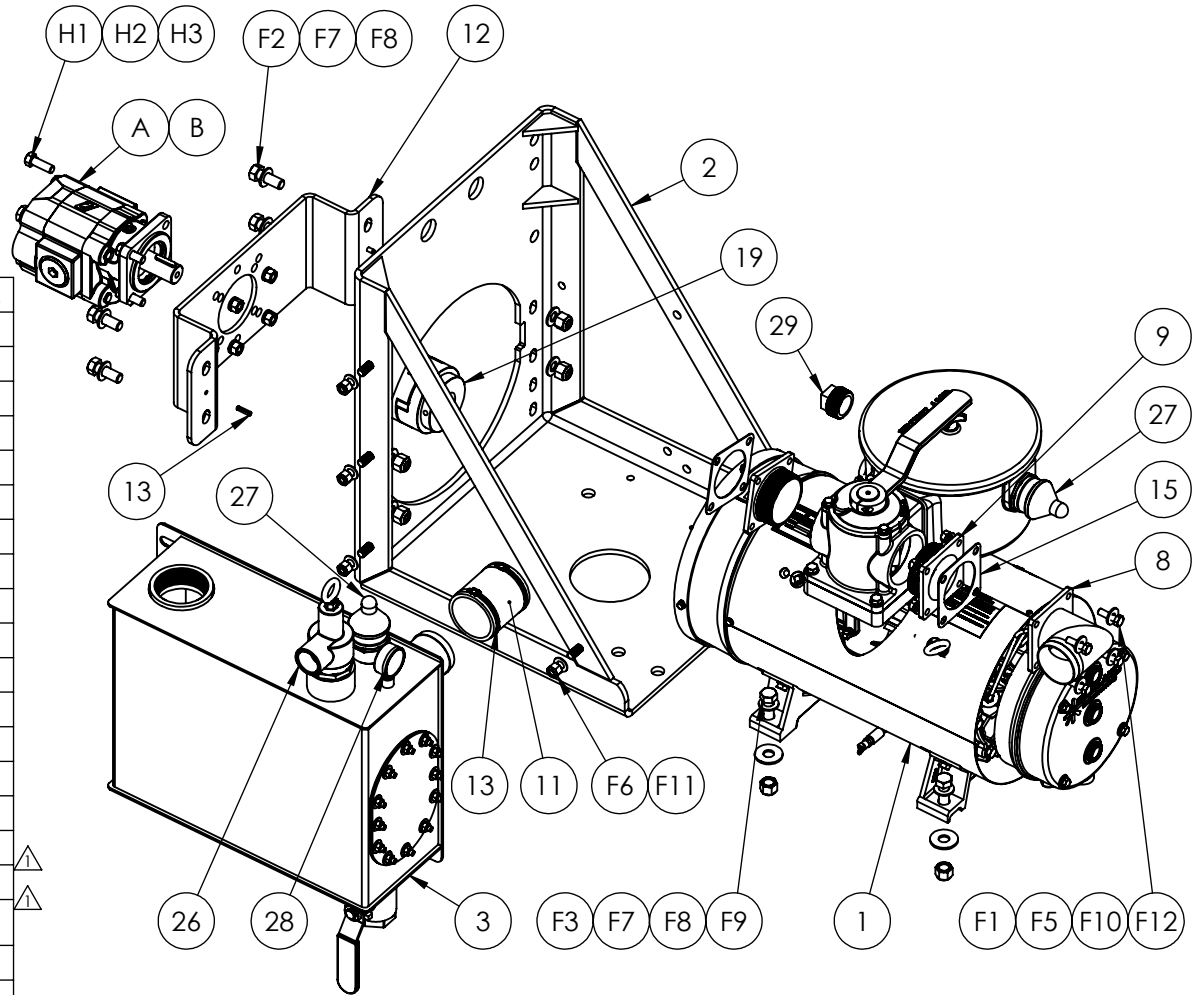
ITEM #	PART #	DESCRIPTION	QTY.
1	500LUF	RCF500 Vacuum Pump	1
2	RF500-SC	Pedastal Frame	1
3	RF500-S091R1C	S09 Secondary Shut-Off	1
8	FAS09C	Flange - Secondary Shut-Off Side	1
9	FA-3NPT-M	3" NPT Flange for Diverter	2
11	FAS09-03	Ø3" Rubber Hose - Secondary Side	1
12	HDM09C	Hydraulic Motor Mount	1
13	HCM-091-001	Super Clamp - SCS 86-91	2
15	RF500-57	Gasket - Pump Flange	2
19		Customer To Specify Coupling Size	1
26	PRV-2"	Pressure Relief Valve - 2" NPT	1
27	VB	Vacuum Relief Valve - 1-1/2" NPT	2
28	PVG-2.5	Compound Pressure-Vacuum Gauge	1
29	RF500-240	Pipe Plug - 1-1/2" NPT - Square Head	1

### HARDWARE LIST

F1	HBM-100-350	Hex Bolt - M10 x 1.5mm x 35mm Long - Z.P.	4
F2	5/8"X2" HEX HEAD	Hex Bolt - 5/8"-11 NC x 2" Long - Z.P.	4
F3	5/8"-2-1/4"HEX HEAD	Hex Bolt - 5/8"-11 NC x 2-1/4" Long - Z.P.	4
F5	RF500-137A	Hex Nut - M10 x 1.5mm - Z.P.	4
F6	HNI-500-201	Nylock Hex Nut - 1/2"-13 NC - Z.P.	4
F7	5/8" NUT	Nylock Hex Nut - 5/8"-11 NC - Z.P.	8
F8	5/8" F/W-SAE	Flat Washer, SAE (Small) - 5/8" - Z.P.	12
F9	5/8" F/W-USS	Flat Washer, USS (Large) - 5/8" - Z.P.	4
F10	RF120-94A	Lock Washer (Split) - M10 - Z.P.	8
F11	1/2" - F/W-SAE	Flat Washer, SAE (Small) - 1/2" - Z.P.	4
F12	M10-FW	Flat Washer - M10 - Z.P.	4
F13	1/4" X 1" LG SPLIT PIN	Split Pin - 1/4" x 1" Long	2

### HYDRAULIC MOTOR & HARDWARE (OPTIONAL)


A	P500-HM	Hydraulic Motor	1
B	P500-HMBOS	Hydraulic Motor	1
H1	1/2" X 1-1/2	Hex Bolt - 1/2"-13 NC x 1-1/2" Long - Z.P.	4
H2	1/2" L/W	Lock Washer (Split) - 1/2" - Z.P.	4
H3	1/2" NUT	Hex Nut - 1/2"-13 NC - Z.P.	4



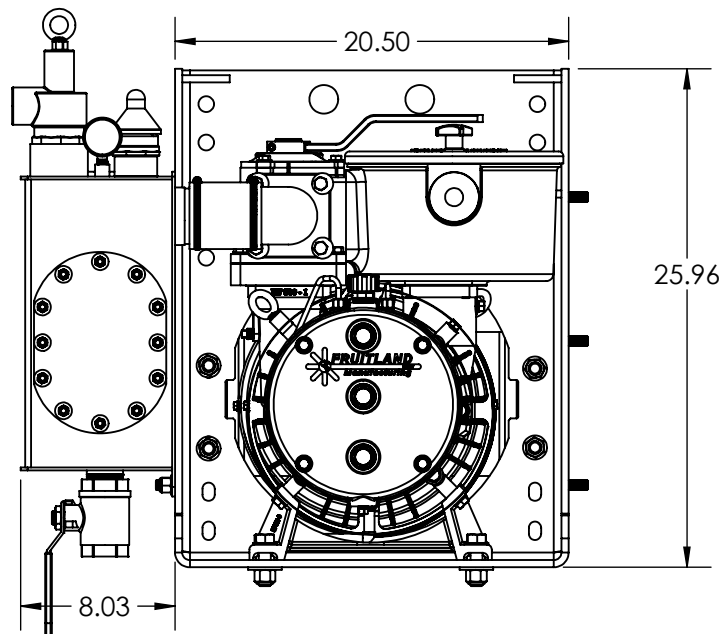
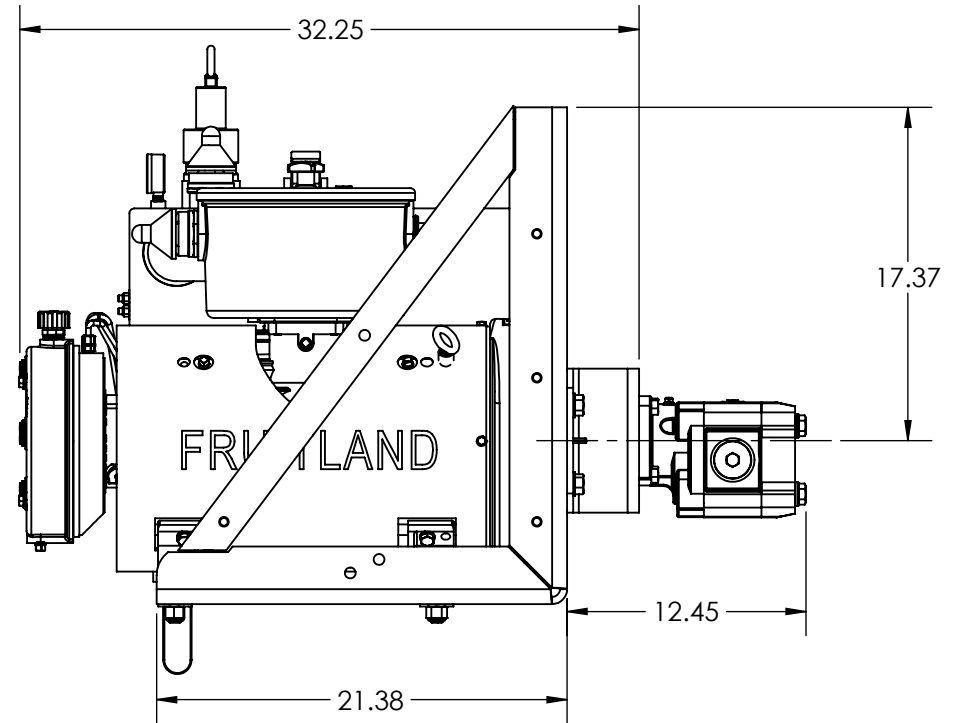
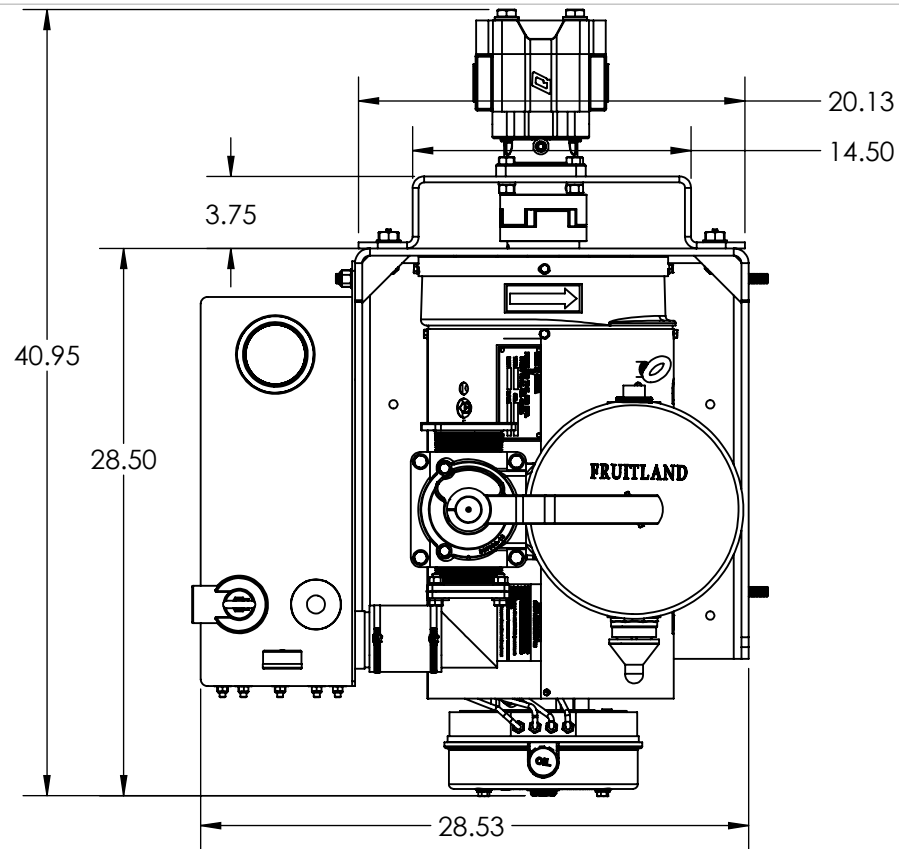
### HYDRAULIC MOTOR SPECIFICATIONS

ITEM #	PART #	DISP. (IN³)	MAX PRESSURE	MAX RPM	MOUNTING FACE	SHAFT DIA.	KEY SIZE	PORT SIZE (INLET /OUTLET)
A	P500-HM	5.70	3000 PSI	3000	SAE B - 4 BOLT	1.25"	5/16"	-20 ORB
B	P500-HMBOS	5.70	3000 PSI	3000	SAE B - 4 BOLT	1.25"	5/16"	1-1/2" NPT

**PROPRIETARY AND CONFIDENTIAL**  
THE INFORMATION CONTAINED IN THIS DRAWING IS THE SOLE PROPERTY OF FRUITLAND MANUFACTURING. ANY REPRODUCTION IN PART OR AS A WHOLE WITHOUT THE WRITTEN PERMISSION OF FRUITLAND MFG. IS PROHIBITED.


NAME	DATE	 324 Leaside Avenue Stoney Creek, Ontario, CANADA L8E 2N7 Phone: (905) 662-6552 Fax: (905) 662-9875
CREATED	S.B. 28/01/13	
CHECKED	W.D. 22/02/13	TITLE:
UNLESS OTHERWISE SPECIFIED: DIMENSIONS ARE IN INCHES TOLERANCES: FRACTIONAL OR .X = ±.015 .XX = ±.010 .XXX = ±.005		ELIMINATOR H-S500LUF PACKAGE - BOM
MATERIAL	--	DWG. NO.
		ELIM H-S500LUF
		SCALE: 1:12
		WEIGHT:--
		SHEET 1 OF 2

NOTE: SHOWN WITH RF500LUF PUMP  
OTHER OPTIONS AVAILABLE



PART # ELIM H-S500LUF

**PROPRIETARY AND CONFIDENTIAL**  
THE INFORMATION CONTAINED IN THIS DRAWING IS THE SOLE PROPERTY OF FRUITLAND MANUFACTURING. ANY REPRODUCTION IN PART OR AS A WHOLE WITHOUT THE WRITTEN PERMISSION OF FRUITLAND MFG. IS PROHIBITED.

	NAME	DATE	 324 Leaside Avenue Stoney Creek, Ontario, CANADA L8E 2N7 Phone: (905) 662-6552 Fax: (905) 662-9875		
CREATED	I.P.	02/27/2023			
CHECKED			TITLE:		
			ELIM H-S500LUF PACKAGE - DIMS		
			DWG. NO.	REV	
			ELIM H-S500LUF	1	
MATERIAL	--		SCALE: 1:10	WEIGHT:--	SHEET 2 OF 2

5

4

3

2

1