

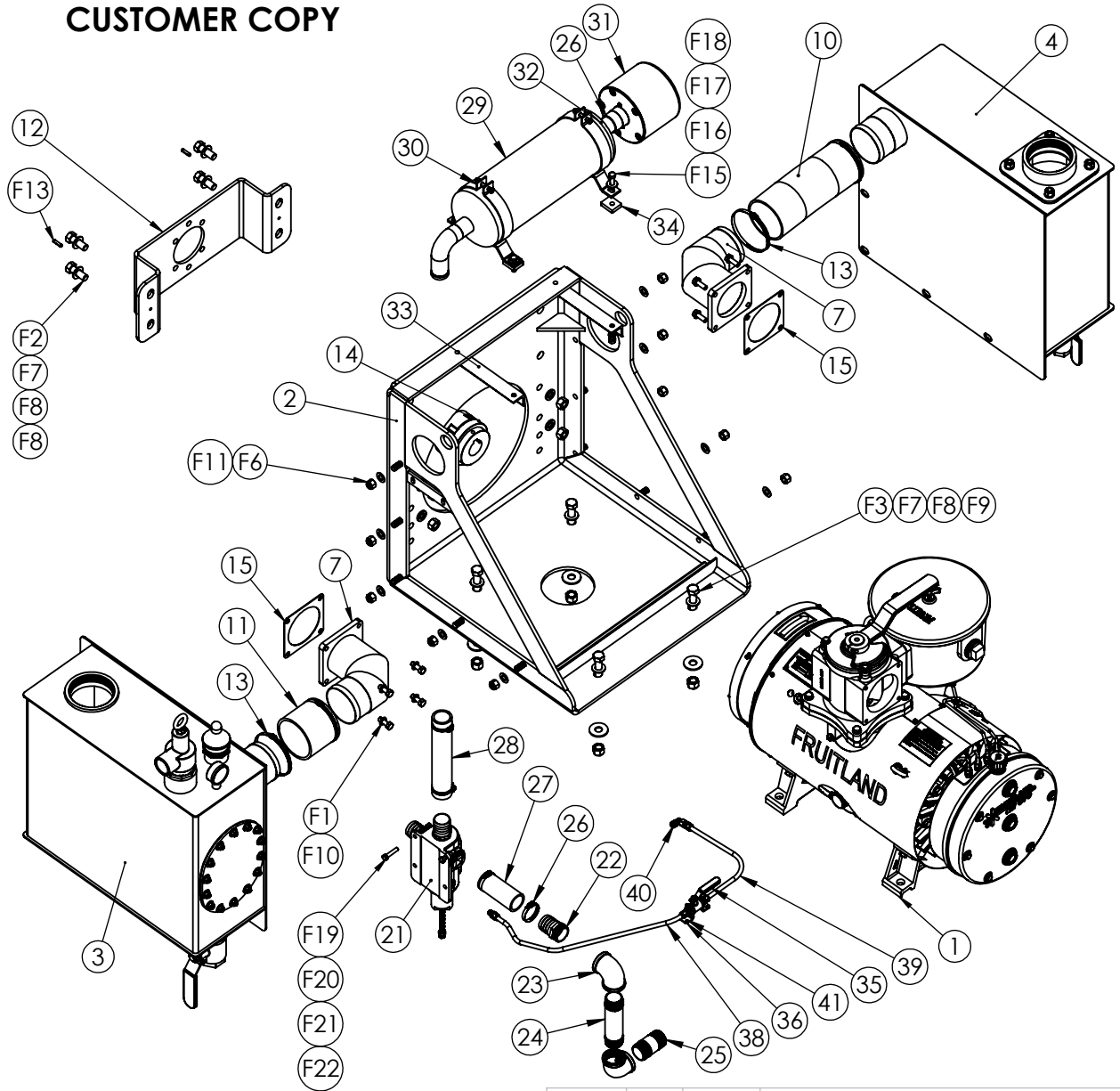
ELIMINATOR H PACKAGE

WITH 870LUF PUMP, MUFFLER,
SECONDARY-SHUTOFF &
AIR INJECTION

PART # ELIM H-SM870LUF-AI

ITEM #	PART #	DESCRIPTION	QTY.
1	870LUF	870LUF Vacuum Pump	1
2	RF870-SC	Pedestal Frame	1
3	RF870-S14	S14 Secondary Shut-Off	1
4	RF870-M14	M14 Muffler	1
7	FL14	4" NPT Elbow Diverter Flange for Elim 870	2
10	ESX-080-412	Rubber Hose - Ø4" x 12" Long	1
11	ESX-080-404	Rubber Hose - Ø4" x 4-3/8" Long	1
12	HDM14	Hydraulic Motor Mount	1
13	MKL-121-SP	Hose Clamp 4" Tank Hose (Mikalor M8 113-121)	4
14		Customer To Specify Coupling Size	1
15	RF870-65	Gasket - Diverter Housing to Flange	2
21	RF870-AI	Air Injection Valve (for 870 Pump)	1
22	1.25"NPT- BARB	Barbed Fitting 1.25 NPT-1.5 Barb Hose	3
23	RF870-72A	Pipe Elbow (FxF) - 1.25" NPT	2
24	1-1/4"-NIPPLE	Pipe Nipple - 1-1/4" NPT x 6" Long	1
25	1-1/4"-NIPPLE	Pipe Nipple - 1-1/4" NPT x 3" Long	1
26	1.5"HOSE CLAMP	1.5" Hose Clamp M8 48-51	8
27	1.5" HOSE EXFL	1.5" Hose Goodyear Extremelex, 4.25" LG.	4.25"
28	1.5" HOSE EXFL	1.5" Hose Goodyear Extremelex, 10" LG.	10"
29	M14-AI-ELIM870	Air Injection Muffler	1
30	M14-AI-B	Air Injection Muffler Bracket	2
31	AI-870-F	Air Injection Filter	1
32	1.5" HOSE EXFL	1.5" Hose Goodyear Extremelex, 4" LG.	4"
33	AI-870-9	L Bracket 1.5" x 1.5" x 3/16", 9" LG.	2
34	AI-870-10	Spacer 1.5" x 1.25" x 3/8"	2
35	DBV31-B	Ball Valve - 1/4" NPT	1
36	AI-870-81	Ball Valve Holder Bracket - Hex Hole	1
37	AI-870-82	Ball Valve Holder Bracket - Round Hole	1
38	AI-870-83	3/8" Flex Tube with Fitting, 14" LG.	14"
39	AI-870-84	3/8" Flex Tube with Fitting, 24" LG.	24"
40	RF500-32A	Elbow Fitting, 90° - 1/4" NPT x 1/4" Tube	1
41	AI-870-85	SS Rivets, Ø3/16"	4
Hardware List			
F1	RF500-67A	Hex Bolt - M10 x 1.5 x 30mm Long - Z.P.	8
F2	HBI-600-170	Hex Bolt - 5/8"-11 NC x 1-3/4" Long - Z.P.	4
F3	5/8"X2-1/4" HEX HEAD	Hex Bolt - 5/8"-11 NC x 2-1/4" Long - Z.P.	4
F6	HNI-500-201	Nylock Hex Nuts - 1/2"-13 NC - Z.P.	10
F7	5/8" NUT	Nylock Hex Nuts - 5/8"-11 NC - Z.P.	8
F8	5/8" F/W-SAE	Flat Washer, SAE (Small) - 5/8" - Z.P.	12
F9	5/8" F/W-USS	Flat Washer, USS (Large) - 5/8" - Z.P.	4
F10	RF120-94A	Lock Washer - 10mm - Z.P.	8
F11	1/2" F/W-SAE	Flat Washer, SAE (Small) - 1/2" - Z.P.	10
F13	1/4" X 1" LG SPLIT PIN	Split Pin - 1/4" x 1" Long	2
F15	3/8"X1-1/2" HEX HEAD	Hex Bolt - 3/8"-16 NC x 1-1/2" Long - Z.P.	4
F16	3/8" NUT	Nylock Hex Nuts - 3/8"-16 NC - Z.P.	4
F17	3/8" F/W-USS	Flat Washer, USS (Large) - 3/8" - Z.P.	4
F18	3/8" L/W	Lock Washer - 3/8" - Z.P.	4
F19	5/16" - 18 X 1-1/2" LG HHCS	Hex Bolt - 5/16"-18 NC x 1-1/2" Long - Z.P.	2
F20	5/16" NYLOCK NUTS	Nylock Hex Nuts - 5/16"-18 NC - Z.P.	2
F21	5/16" F/W	Flat Washer - 5/16" - Z.P.	2
F22	5/16" USS WASHER	Flat Washer, USS (Large) - 5/16" - Z.P.	2

CUSTOMER COPY




NOTES:

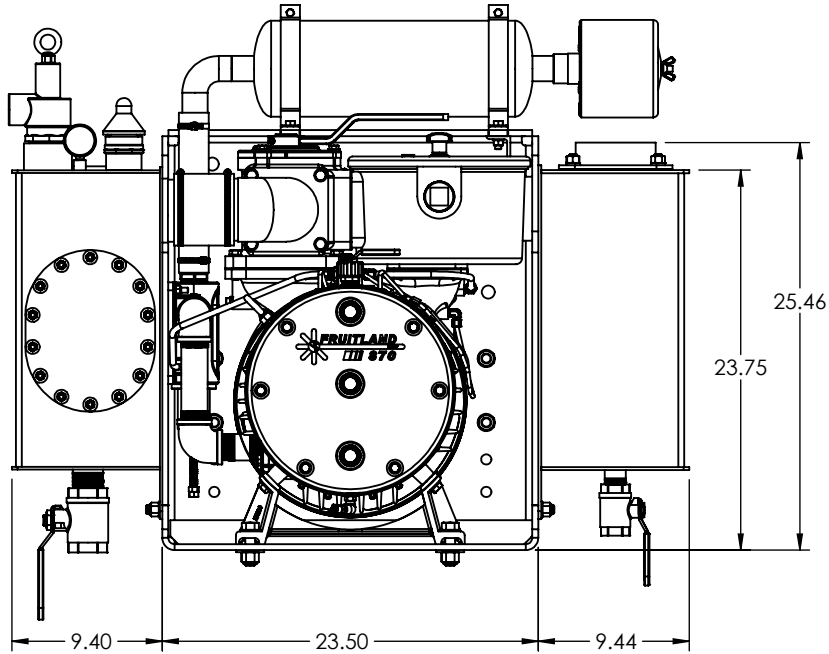
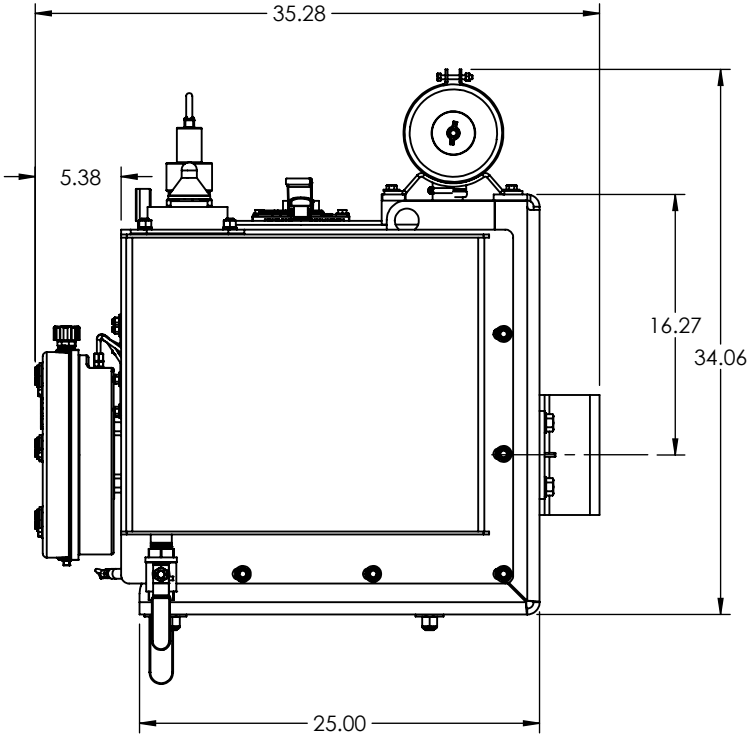
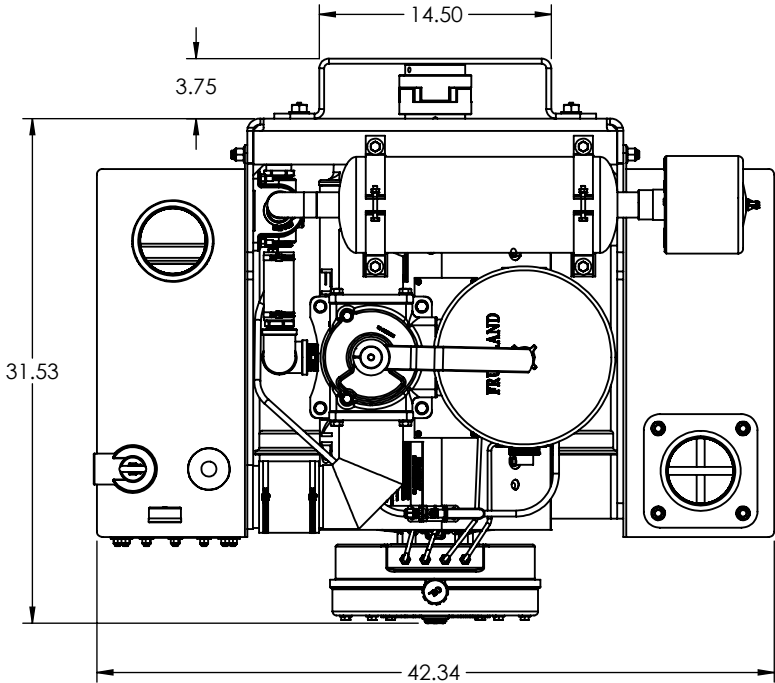
1. DRIVE COUPLINGS TO BE CUSTOMER SPECIFIED
2. ALL FASTENERS TO BE SUPPLIED
3. WEIGHT AS SHOWN - 989 LBS.

PROPRIETARY AND CONFIDENTIAL

THE INFORMATION CONTAINED IN THIS DRAWING IS THE SOLE PROPERTY OF FRUITLAND MANUFACTURING. ANY REPRODUCTION IN PART OR AS A WHOLE WITHOUT THE WRITTEN PERMISSION OF FRUITLAND MFG. IS PROHIBITED.


NAME	DATE	 <small>324 Leaside Avenue Stoney Creek, Ontario, CANADA L8E 2N7 Phone: (905) 662-6552 Fax: (905) 662-9875</small>
CREATED	Z.D. 12/16/2016	
CHECKED	K.A. 12/16/2016	TITLE:
UNLESS OTHERWISE SPECIFIED: DIMENSIONS ARE IN INCHES TOLERANCES: FRACTIONAL OR .X = ±.015 .XX = ±.010 .XXX = ±.005		DWG. NO.
MATERIAL	--	SCALE: 1:12
		WEIGHT:--
		REV
		3

NOTE: SHOWN WITH RF870LUF PUMP
OTHER OPTIONS AVAILABLE



PART # ELIM H-SM870LUF-AI

CUSTOMER COPY

	NAME	DATE	 324 Leaside Avenue Stoney Creek, Ontario, CANADA L8E 2N7 Phone: (905) 662-6552 Fax: (905) 662-9875	
CREATED	Z.D.	12/16/16		TITLE:
CHECKED	K.A.	12/16/16		ELIM H-SM870LUF WITH AI DIMS.
UNLESS OTHERWISE SPECIFIED: DIMENSIONS ARE IN INCHES TOLERANCES: FRACTIONAL OR .X = ±.015 .XX = ±.010 .XXX = ±.005			DWG. NO.	REV
MATERIAL			ELIM-H-SM870LUF-AI DIMS	0
			SCALE: 1:12	WEIGHT:--

PROPRIETARY AND CONFIDENTIAL
 THE INFORMATION CONTAINED IN THIS
 DRAWING IS THE SOLE PROPERTY OF
FRUITLAND MANUFACTURING. ANY
 REPRODUCTION IN PART OR AS A
 WHOLE WITHOUT THE WRITTEN
 PERMISSION OF FRUITLAND MFG. IS
 PROHIBITED.