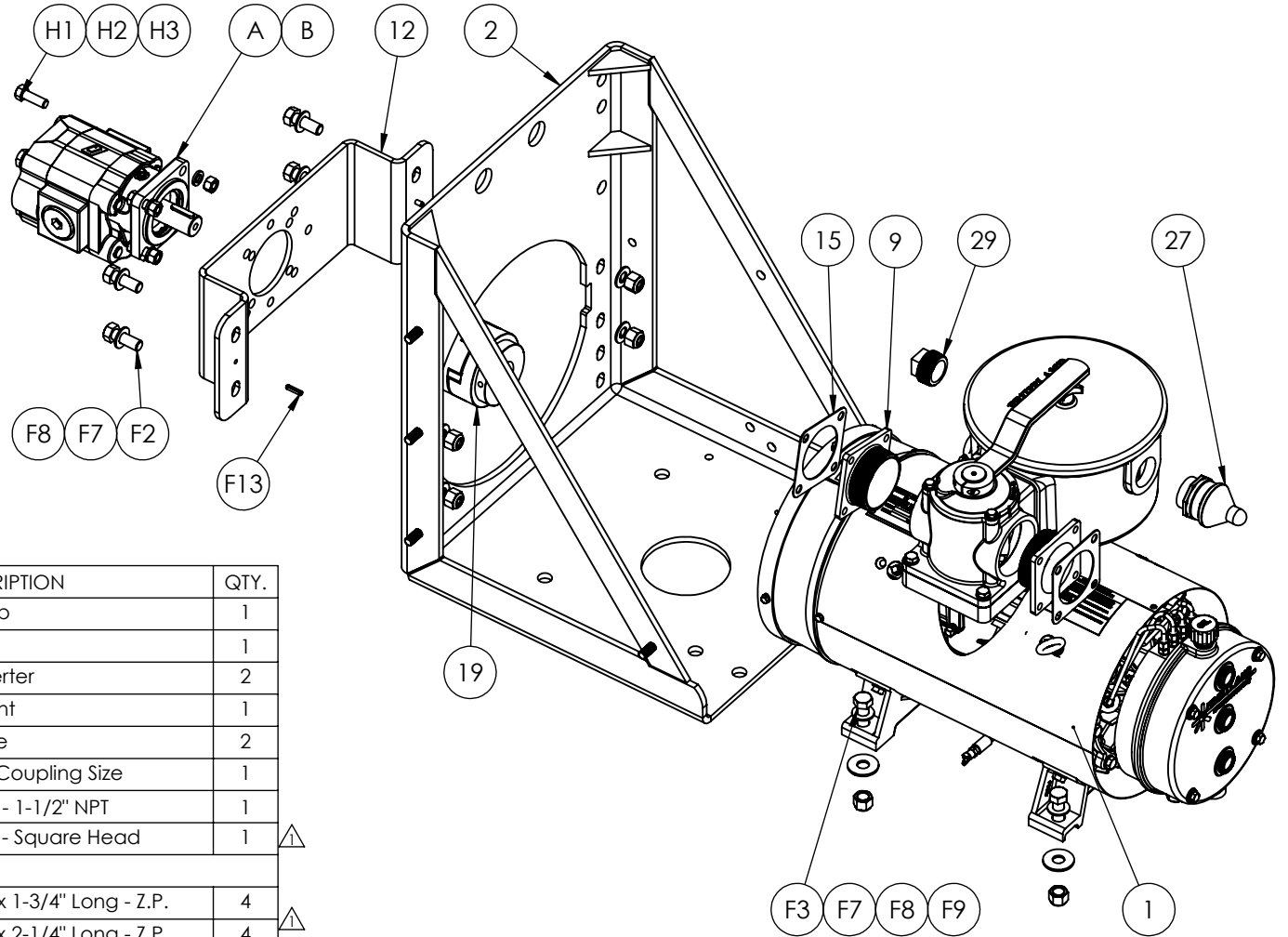


NOTES:

1. DRIVE COUPLINGS TO BE CUSTOMER SPECIFIED
2. ALL FASTENERS TO BE SUPPLIED
3. WEIGHT AS SHOWN - 601 LBS. (W/O HYD. MOTOR)


HYDRAULIC MOTOR SPECIFICATIONS								
ITEM #	PART #	DISP. (IN³)	MAX PRESSURE	MAX RPM	MOUNTING FACE	SHAFT DIA.	KEY SIZE	PORT SIZE (INLET /OUTLET)
A	P500-HM	5.70	3000 PSI	3000	SAE B - 4 BOLT	1.25"	5/16"	-20 ORB
B	P500-HMBOS	5.70	3000 PSI	3000	SAE B - 4 BOLT	1.25"	5/16"	1-1/2" NPT

ELIMINATOR H PACKAGE
WITH 500LUF PUMP
PART # ELIM H500LUF

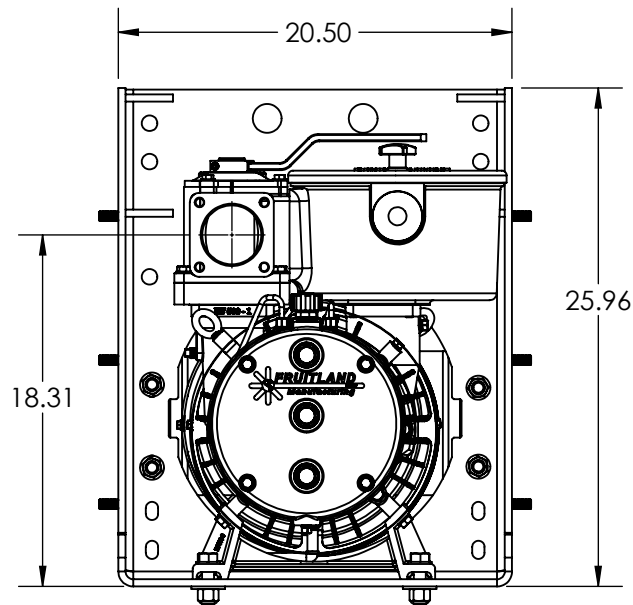
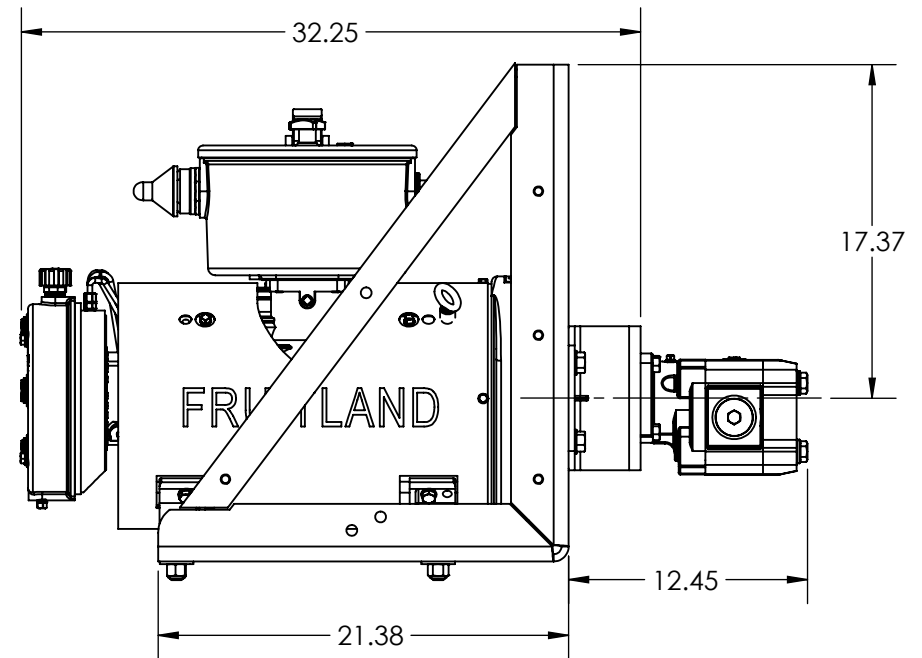
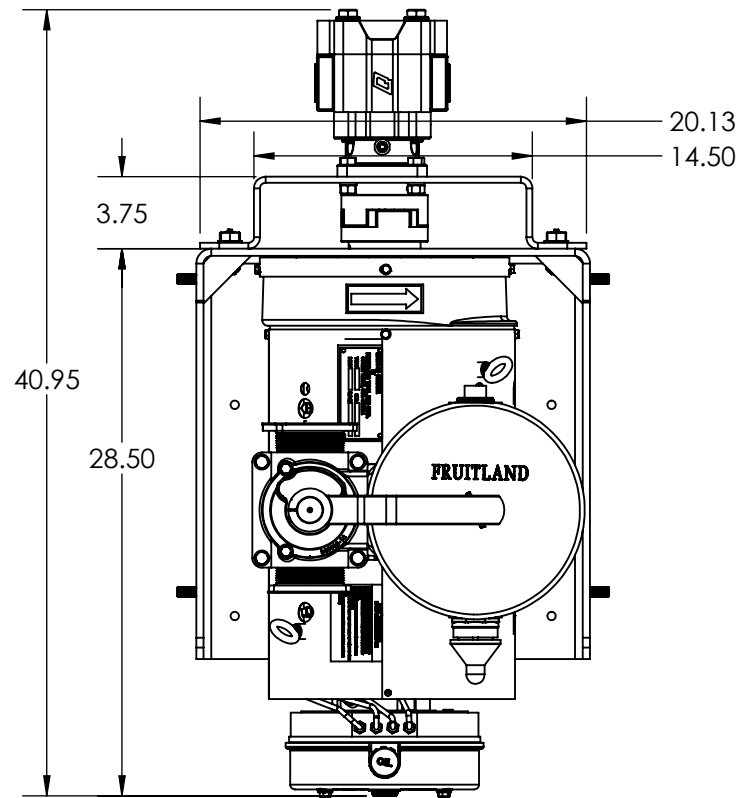


ITEM #	PART #	DESCRIPTION	QTY.
1	500LUF	500LUF Vacuum Pump	1
2	RF500-SC	Pedastal Frame	1
9	FA-3NPT-M	3" NPT Flange for Diverter	2
12	HDM09C	Hydraulic Motor Mount	1
15	RF500-57	Gasket - Pump Flange	2
19		Customer to Specify Coupling Size	1
27	VB	Vacuum Relief Valve - 1-1/2" NPT	1
29	RF500-240	Pipe Plug - 1-1/2" NPT - Square Head	1
HARDWARE LIST			
F2	HBI-600-170	Hex Bolt - 5/8"-11 NC x 1-3/4" Long - Z.P.	4
F3	5/8"X2-1/4" HEX HEAD	Hex Bolt - 5/8"-11 NC x 2-1/4" Long - Z.P.	4
F7	5/8" NUTS	Nylock Hex Nut - 5/8"-11 NC - Z.P.	8
F8	5/8" F/W-SAE	Flat Washer, SAE (Small) - 5/8" - Z.P.	12
F9	5/8" F/W-USS	Flat Washer, USS (Large) - 5/8" - Z.P.	4
F13	1/4" X 1" LG SPLIT PIN	Split Pin - 1/4" x 1" Long	2
HYDRAULIC MOTOR & HARDWARE (OPTIONAL)			
A	P500-HM	Hydraulic Motor	1
B	P500-HMBOS	Hydraulic Motor	1
H1	1/2" X 1-1/2	Hex Bolt - 1/2"-13 NC x 1-1/2" Long - Z.P.	4
H2	1/2" L/W	Lock Washer (Split) - 1/2" - Z.P.	4
H3	1/2" NUT	Hex Nut - 1/2"-13 NC - Z.P.	4

DCR # 1009, REV. 1: UPDATED BOM ITEMS, ADDED HYD. MOTOR, ADDED PAGE 2 (DIMS), 02/27/2023, I.P.


NAME	DATE	 324 Leaside Avenue Stoney Creek, Ontario, CANADA L8E 2N7 Phone: (905) 662-6552 Fax: (905) 662-9875
CREATED	S.B. 28/01/13	
CHECKED	W.D. 22/02/13	TITLE:
UNLESS OTHERWISE SPECIFIED: DIMENSIONS ARE IN INCHES TOLERANCES: FRACTIONAL OR .X = ±.015 .XX = ±.010 .XXX = ±.005		DWG. NO.
PROPRIETARY AND CONFIDENTIAL THE INFORMATION CONTAINED IN THIS DRAWING IS THE SOLE PROPERTY OF FRUITLAND MANUFACTURING. ANY REPRODUCTION IN PART OR AS A WHOLE WITHOUT THE WRITTEN PERMISSION OF FRUITLAND MFG. IS PROHIBITED.		ELIM H500LUF
MATERIAL	--	SCALE: 1:10
		WEIGHT:--
		SHEET 1 OF 2

NOTE: SHOWN WITH RF500LUF PUMP
OTHER OPTIONS AVAILABLE



PART # ELIM H500LUF

DCR # 1009, REV. 1: UPDATED BOM ITEMS, ADDED HYD. MOTOR, ADDED PAGE 2 (DIMS), 02/27/2023, I.P.

	NAME	DATE	 FRUITLAND 324 Leaside Avenue Stoney Creek, Ontario, CANADA L8E 2N7 Phone: (905) 662-6552 Fax: (905) 662-9875
CREATED	I.P.	02/27/23	
CHECKED			TITLE: ELIM H PACKAGE DIMENSIONS
UNLESS OTHERWISE SPECIFIED: DIMENSIONS ARE IN INCHES TOLERANCES: FRACTIONAL OR .X = ±.015 .XX = ±.010 .XXX = ±.005			DWG. NO. ELIM H500LUF
MATERIAL	--		SCALE: 1:10
			WEIGHT:--
			SHEET 2 OF 2

PROPRIETARY AND CONFIDENTIAL
THE INFORMATION CONTAINED IN THIS DRAWING IS THE SOLE PROPERTY OF FRUITLAND MANUFACTURING. ANY REPRODUCTION IN PART OR AS A WHOLE WITHOUT THE WRITTEN PERMISSION OF FRUITLAND MFG. IS PROHIBITED.