

ELIMINATOR PACKAGE

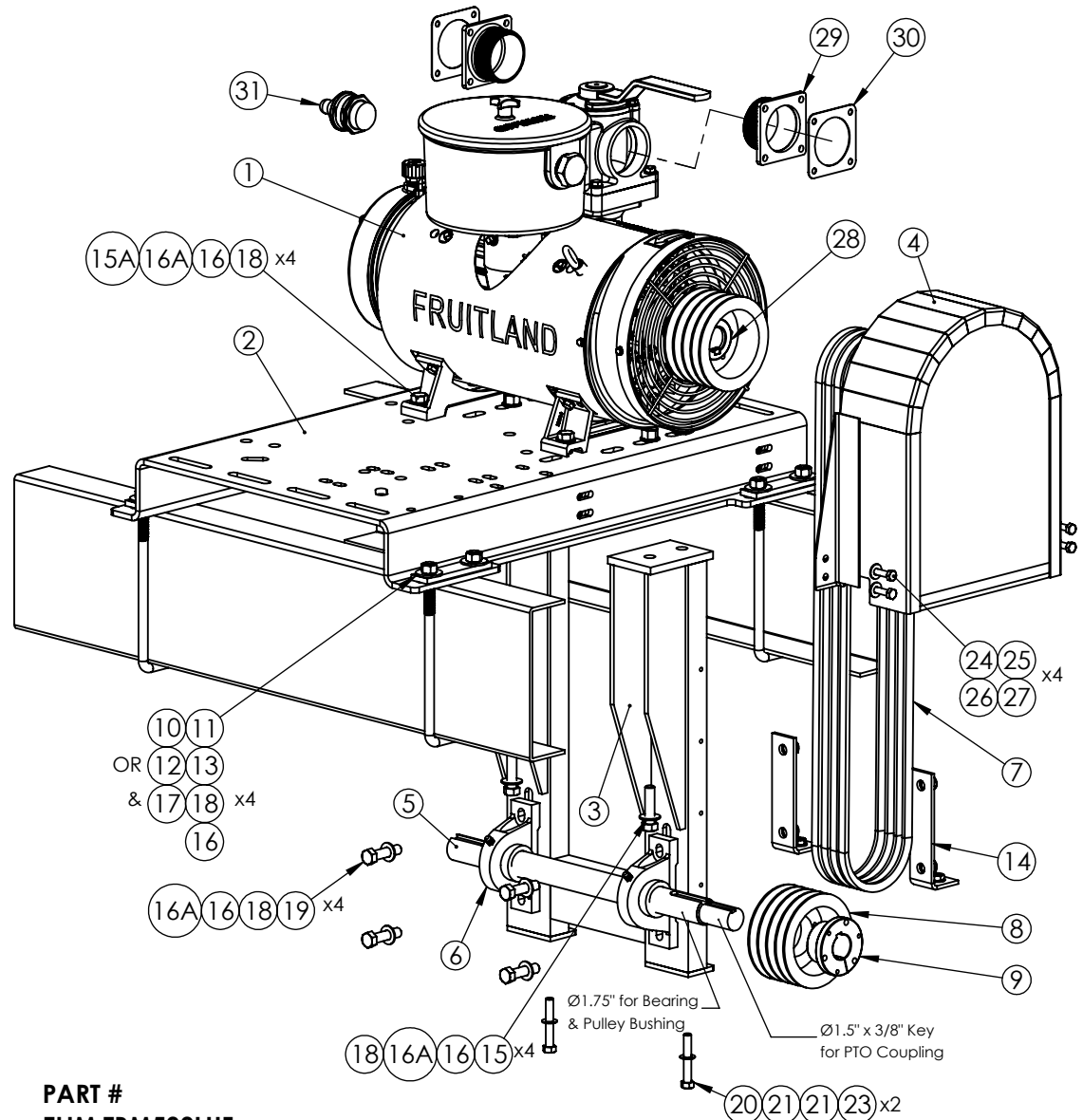
Top Frame Mount Belt Drive System with 500LUF Pump

(Sold with Regular or Mack Truck Installation Kit)

ITEM #	PART #	DESCRIPTION	QTY.
1	500LUF	Vacuum Pump (SOLD SEPERATELY)	1
2	TFM-11-01	Top Frame Mount Base	1
3	TFM-11-02v2	Top Mount Shaft Bracket Ver. 2	1
4	TFM-11-BG	Top Mount Belt Guard	1
5	TFM-11-08	Jack Shaft, Ø 1 3/4", 3/8" keyway	1
6	TFM-11-A1	1 3/4" Pillow Block Bearings w collar	2
7	TFM-11-A2	B78 (or BX78) V Belt	4
8	RF500-38	4 Groove, 6" Sheave	2
9	SK1.75	1-3/4"Ø SK Bushing	1
14	TFM-11-07	Shaft Adjustment Bracket	2
15	5/8"x2" HEX HEAD	Hex Bolt - 5/8"-11 NC x 2" Long - Z.P.	4
15A	5/8"x2-1/4" HEX HEAD	Hex Bolt - 5/8"-11 NC x 2-1/4" Long - Z.P.	4
16	5/8" F/W-USS	Flat Washer, USS (Large) - 5/8" - Z.P.	12
16A	5/8" F/W-SAE	Flat Washer, SAE (Small) - 5/8" - Z.P.	12
17	5/8" L/W	Lockwasher - 5/8" - Z.P.	8
18	5/8" Nylock Nuts	Nylock Hex Nut - 5/8"-11 NC - Z.P.	12
19	5/8"x2-1/2" HEX HEAD	Hex Bolt - 5/8"-11 NC x 2-1/2" Long - Z.P.	4
20	1/2"x 3-1/4" HEX HEAD	Hex Bolt - 1/2"-13 NC x 3-1/4" Long - Z.P.	2
21	1/2" Flat Washer	Flat Washer - 1/2" - Z.P.	4
23	1/2" JAM NUT	Jam Nut - 1/2"-13 NC	2
24	RF500-67A	Hex Bolt - M10 x 30mm Long	4
25	RF500-308	Flat Washer - 10mm - Z.P.	8
26	RF500-137A	Hex Nut - M10 x 1.5mm - Z.P.	4
27	RF120-94A	Lockwasher - M10 - Z.P.	4
28	SK 42	Taper Bushing - 42mm	1
29	FA-3NPT-M	Diverter Flange - 3" NPT	2
30	RF500-57	Gasket - Pump Diverter Flange	2
31	VB	Vacuum Relief Valve - 1-1/2" NPT	1

Part # TFM-11R, Regular Installation Kit			
10	TFM-11-A3	3-1/2" U Bolt, Ø5/8-11 NC	4
11	TFM-11-09	Tie Bar Plates for 3-1/2" U Bolts	4
16	5/8" F/W-USS	Flat Washer, USS (Large) - 5/8" - Z.P.	8
17	5/8" L/W	Lockwasher - 5/8" - Z.P.	8
18	5/8" Nut	5/8" Zinc Plated NC Hex Nuts	8

Part # TFM-11M, Mack Truck Installation Kit			
12	TFM-11-A4	4-3/16" U Bolt Ø5/8-11 NC for Mack Only	4
13	TFM-11-A5	Tie Bar Plates for 4-3/16" U Bolts Mack Only	4
16	5/8" F/W-USS	Flat Washer, USS (Large) - 5/8" - Z.P.	8
17	5/8" L/W	Lockwasher - 5/8" - Z.P.	8
18	5/8" Nut	5/8" Zinc Plated NC Hex Nuts	8




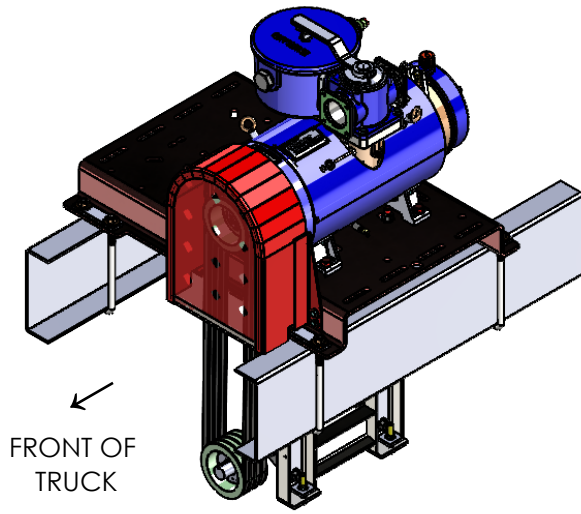
PART #
ELIM TBM500LUF
(WITH MACK INST. KIT)

ELIM TBR500LUF
(WITH REGULAR INST. KIT)

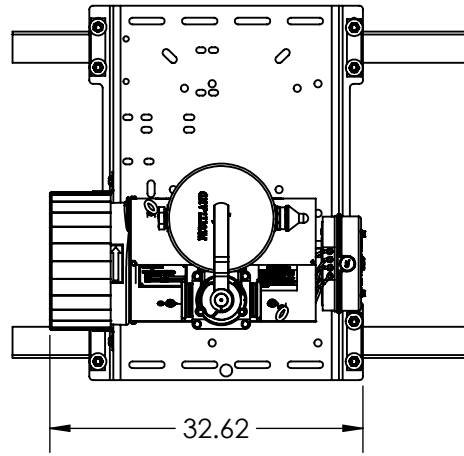
PROPRIETARY AND CONFIDENTIAL
THE INFORMATION CONTAINED IN THIS DRAWING IS THE SOLE PROPERTY OF FRUITLAND MANUFACTURING. ANY REPRODUCTION IN PART OR AS A WHOLE WITHOUT THE WRITTEN PERMISSION OF FRUITLAND MFG. IS PROHIBITED.

DCR #1007, REV. 1: UPDATED BOM (ITEMS 18, 23), ADDED 3" NPT FLANGE, GASKET & VACUUM RELIEF VALVE, 02/22/2023, I.P.

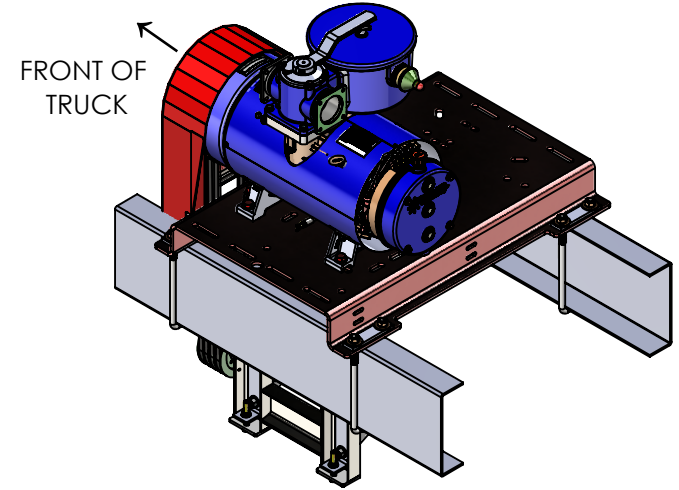
NAME	DATE	 324 Leaside Avenue Stoney Creek, Ontario, CANADA L8E 2N7 Phone: (905) 662-6552 Fax: (905) 662-9875
CREATED	S.P. 06/13/2013	
CHECKED		TITLE:
UNLESS OTHERWISE SPECIFIED: DIMENSIONS ARE IN INCHES TOLERANCES: FRACTIONAL OR .X = ±.015 .XX = ±.010 .XXX = ±.005		TITLE: TOP FRAME MOUNT BELT DRIVE
MATERIAL	--	DWG. NO. ELIM TBR(M)500LUF
		SCALE: 1:12
		WEIGHT:--
		SHEET 1 OF 2
		REV 1



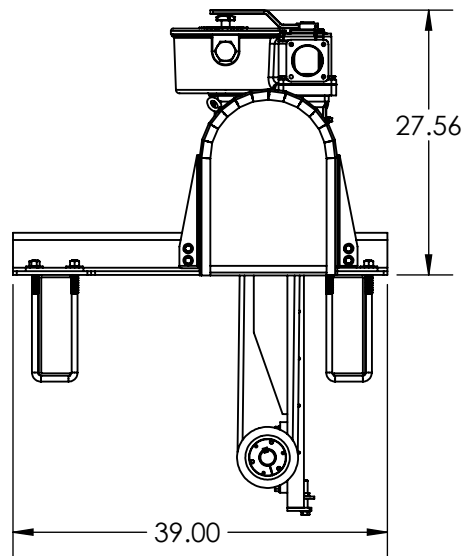
FRONT OF TRUCK



32.62

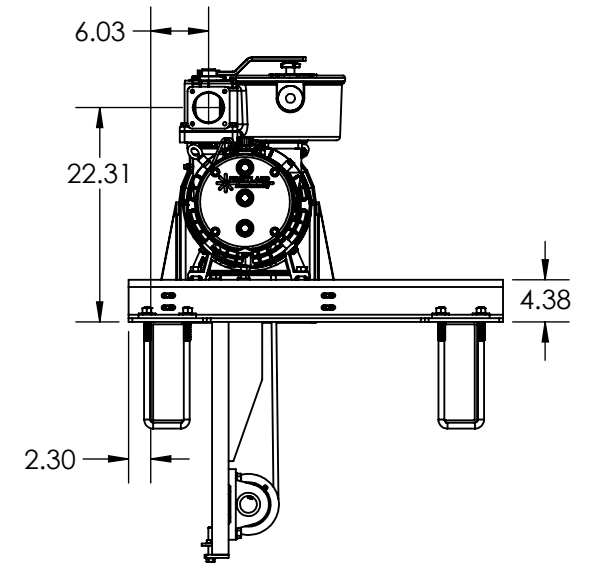
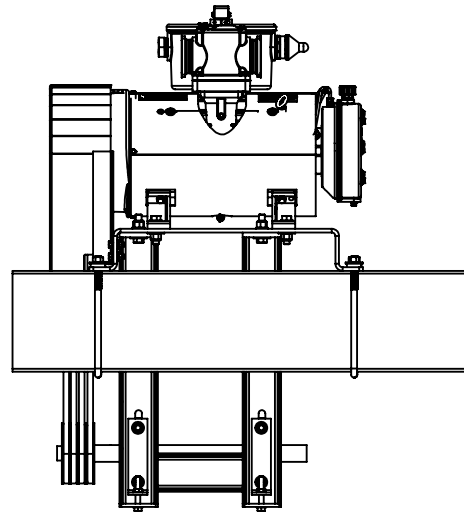


FRONT OF TRUCK



27.56

39.00




6.03

22.31

4.38

2.30

PROPRIETARY AND CONFIDENTIAL
 THE INFORMATION CONTAINED IN THIS DRAWING IS THE SOLE PROPERTY OF FRUITLAND MANUFACTURING. ANY REPRODUCTION IN PART OR AS A WHOLE WITHOUT THE WRITTEN PERMISSION OF FRUITLAND MFG. IS PROHIBITED.

	NAME	DATE	 324 Leaside Avenue Stoney Creek, Ontario, CANADA L8E 2N7 Phone: (905) 662-6552 Fax: (905) 662-9875
CREATED	S.P.	16/13/2013	
CHECKED			TITLE:
UNLESS OTHERWISE SPECIFIED: DIMENSIONS ARE IN INCHES TOLERANCES: FRACTIONAL OR .X = ±.015 .XX = ±.010 .XXX = ±.005			TITLE: TOP FRAME MOUNT BELT DRIVE - DIMS
MATERIAL			DWG. NO. ELIM TBR(M)500LUF
			REV 1
		SCALE: 1:20	WEIGHT:--
		SHEET 2 OF 2	