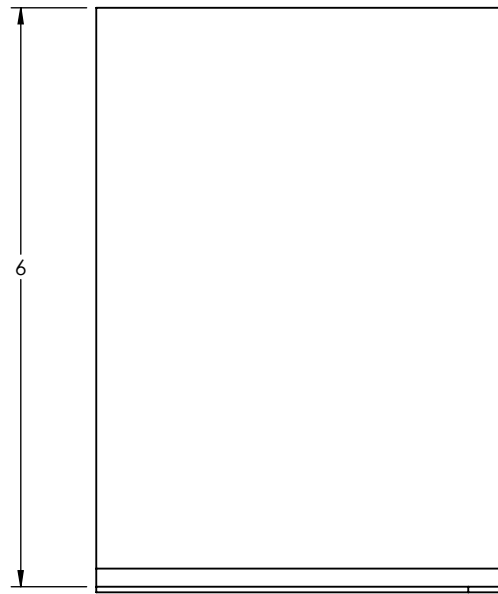
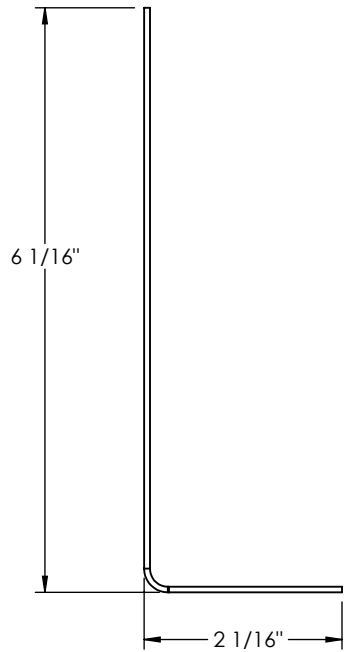
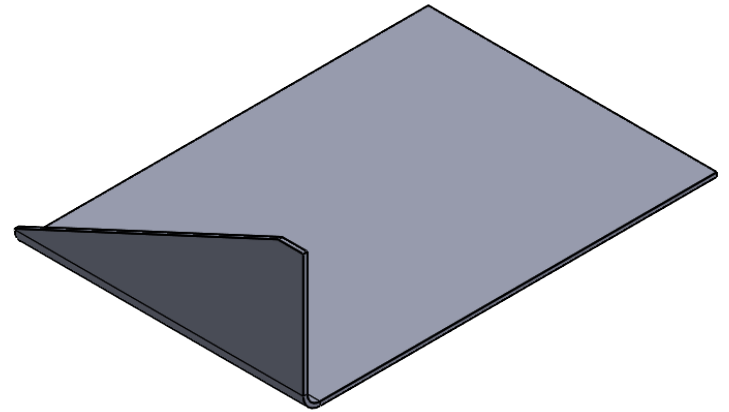
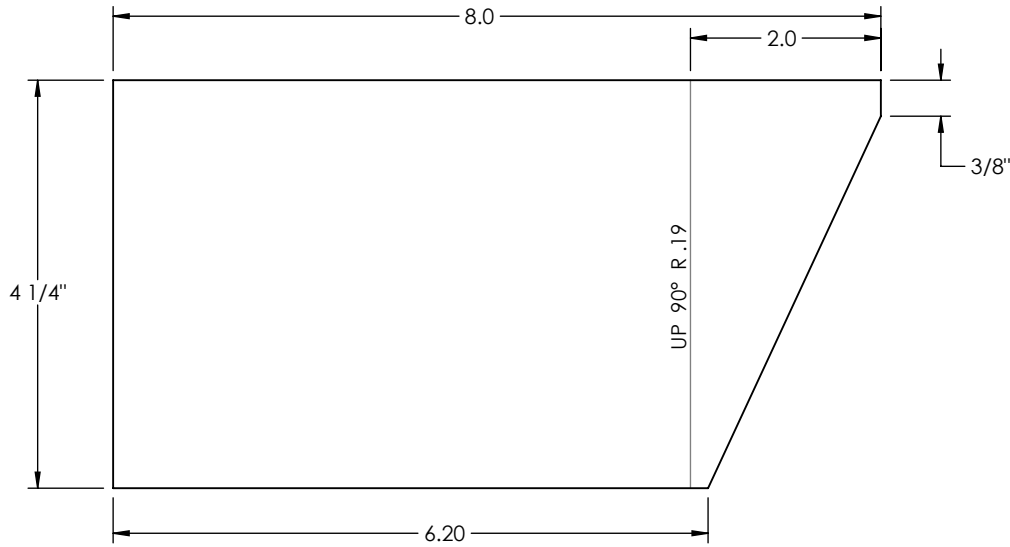



FLAT PATTERN



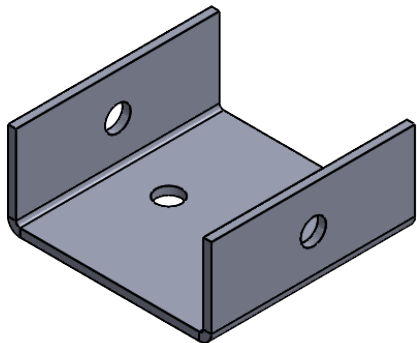
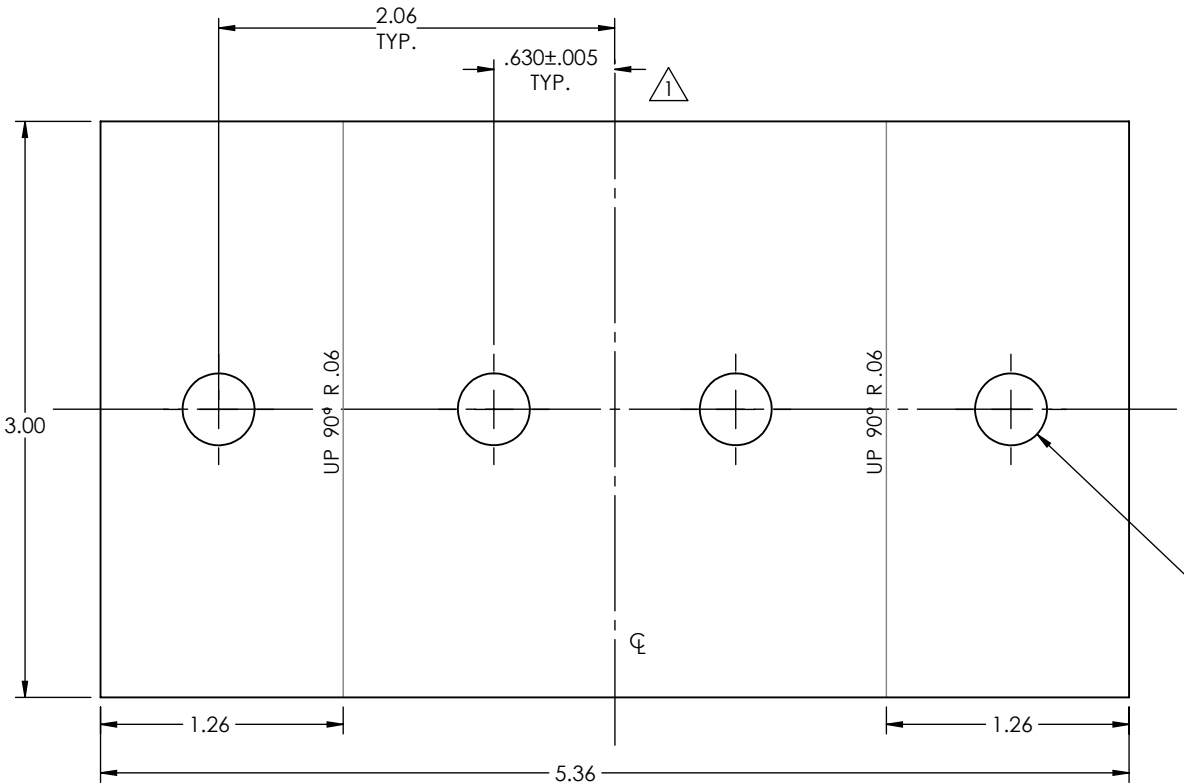
BAFFLE BRACKET
 MAT'L: 16 Ga. (.062) MILD STEEL

PART#: M02-11
MAT'L PART#: M02-11-LC

	NAME	DATE	 324 Leaside Avenue Stoney Creek, Ontario, CANADA L8E 2N7 Phone: (905) 662-6552 Fax: (905) 662 9875
CREATED	D.B.	09/18/2015	
CHECKED	K.A.	09/18/2015	TITLE:
UNLESS OTHERWISE SPECIFIED: DIMENSIONS ARE IN INCHES TOLERANCES: FRACTIONAL OR .X = ±.015 .XX = ±.010 .XXX = ±.005			BAFFLE BRACKET
MATERIAL	--	SCALE: 1:10	DWG. NO. M02-11
		WEIGHT:--	REV 1

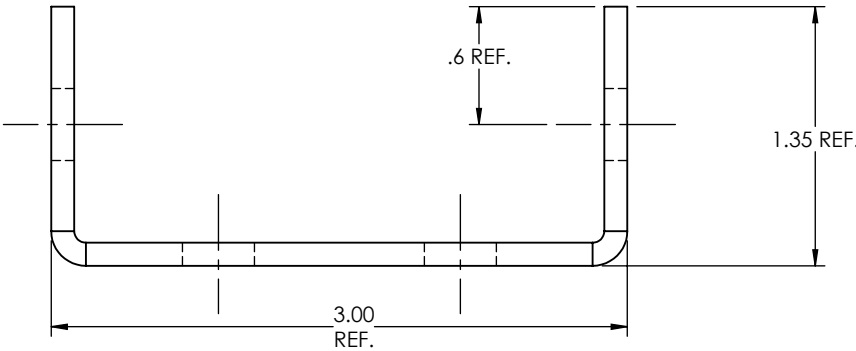
PROPRIETARY AND CONFIDENTIAL
 THE INFORMATION CONTAINED IN THIS DRAWING IS THE SOLE PROPERTY OF **FRUITLAND MANUFACTURING**. ANY REPRODUCTION IN PART OR AS A WHOLE WITHOUT THE WRITTEN PERMISSION OF FRUITLAND MFG. IS PROHIBITED.

REV. 1, DCR 634, ADD TOLERANCES TO DRAWING, 5/20/2015, Z.D.
 DCR # 636. REV 04. UPDATED PART NUMBERS. 1-17-2018 K.A.




4 Holes
 Drill $\varnothing 3/8"$

BLANKS SHEARED
 11 Ga. (0.12)
 3" X 5.36



PART# M02-1G
MAT. PART # M02-1G-LC

	NAME	DATE	 <small>324 Leaside Avenue Stoney Creek, Ontario, CANADA L8E 2N7 Phone: (905) 662-6552 Fax: (905) 662 9875</small>
CREATED	D.B.	09/18/2015	
CHECKED			TITLE: MOUNTING BRACKET
UNLESS OTHERWISE SPECIFIED: DIMENSIONS ARE IN INCHES TOLERANCES: FRACTIONAL OR .X = ±.015 .XX = ±.010 .XXX = ±.005			DWG. NO. M02-1G-LC
PROPRIETARY AND CONFIDENTIAL THE INFORMATION CONTAINED IN THIS DRAWING IS THE SOLE PROPERTY OF FRUITLAND MANUFACTURING . ANY REPRODUCTION IN PART OR AS A WHOLE WITHOUT THE WRITTEN PERMISSION OF FRUITLAND MFG. IS PROHIBITED.			REV 4
MATERIAL	--	SCALE: 1:10	WEIGHT:--