


TOP LID ASSM
MUS-05-4M-CS

BOTTOM LID ASSM
MUS-05-1M-CS

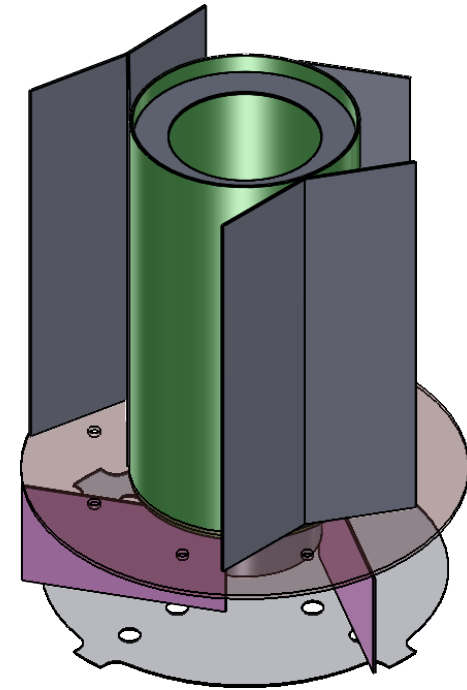
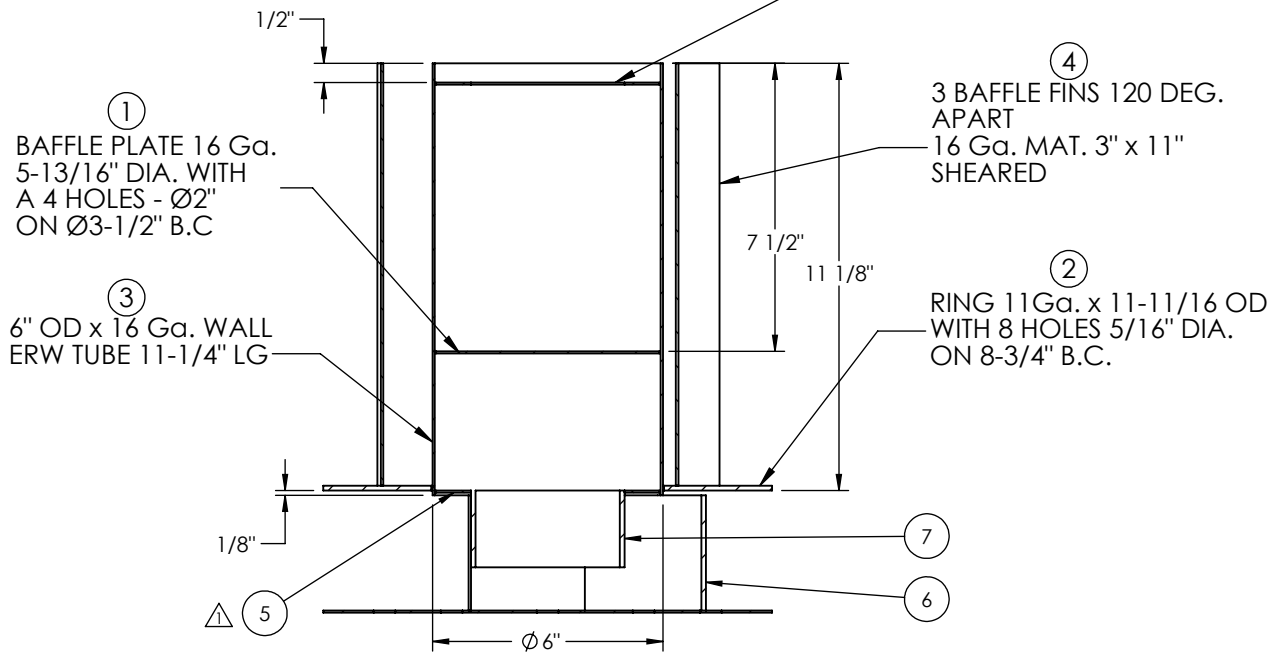
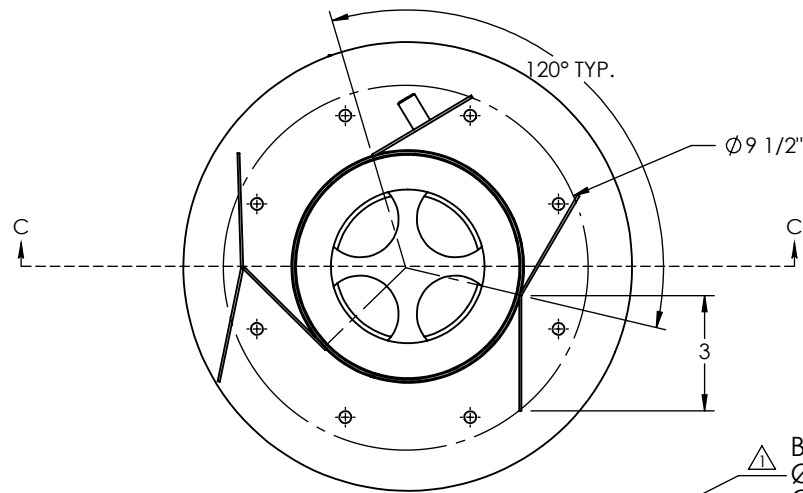
M05 MUFFLER COMPONENTS BILL OF MATERIALS						
ITEM#	DESCRIPTION	DWG #	PART#	MATERIAL PART#	QTY.	
1	BODY SHELL 12" OD 11 Ga. 26" LG.	M05B	M05-1A	M05-SHELL	1	
P2	2	BOTTOM LID	MW12-12G	MW12-12G-1M	MW12-CS1	1
P2	3	MUFFLER RING	MUFRING	MUFRING	MUFRING-LC	2
4	DRAIN PLATE 16 Ga. 11-11/16" DIA.	M05DP	M05DP	M05DP	1	
5	4" STD WS HALF COUPLING		4WSHC	4WSHC	2	
6	MOUNTING BRACKET 11Ga. 5.36" x 3"	M02-1G	M02-1G	M02-1G-LC	2	
7	BAFFLE BRACKET 16 Ga. 8" x 6" x 4-1/2"	M02-1I	M02-1I	M02-1I-LC	1	
8	BAFFLE FINS 16 Ga. 3" x 5-1/2" LG	M02I-3G	M02I-1J	M02I-1J	3	
P2	9	MUFFLER TOP LID	MW12-12G	MW12-12G-4M	MW12-CS1	1
10	RING -- 11Ga. (.120) 11-11/16" OD	M02I-3E	M02I-3E	M02I-3E	1	
11	BAFFLE PLATE -- 16 Ga. (.062) 5-13/16" OD	M02I-3D	M02I-3D	M02I-3D	1	
12	ERW TUBING -- 16Ga. (.062) x 6" OD x 11-1/4" LG	M02I	M02I-3F-SC	M02I-3F	1	
13	BAFFLE FINS - 16Ga. (.062) 3" x 11"	M02I-3G	M02I-3G	M02I-3G	6	
P1	14	BAFFLE RING -16 Ga. (.062") 5-13/16" OD x 4" ID	M02I-3H	M02I-3H	M02I-3H	2
15	1" NPT STD. HALF NIPPLE		M09-A-03	M09-A-03	1	
P2	16	4" NPT STD. HALF NIPPLE		4NPTH-2.5	1	
17	"O" RING, .375ACT. SECT. BUNA N, 12:10		M050R		1	
18	POSITIONING STOP 1/2" DIA X 13/16" LG				1	
19	5/16" NC 1" LONG ZINC PLATED HEX HEAD BOLTS		5/16"x1"-BOLT		6	
20	5/16" -18 HEX NUT		5/16" NC NUTS		6	
21	5/16" LOCKWASHER		5/16" L/W		6	
22	ERW TUBING; Ø4" OD, 0.120" WALL, 2" LONG		M02I-3K		1	

**M05 COMPLETE MUFFLER ASSEMBLY
PART # M05**

DCR #991, REV. P1: UPDATED BAFFLE RING (ITEM 14) PART #, UPDATED BOM..... 01/10/2023, I.P.
DCR #996, REV. P2: UPDATED BOM (ITEMS 2, 3, 9, & 16) & ADDED LID SUB-ASSM. NOTES, 01/25/2023, I.P.

NAME	DATE	 FRUITLAND 324 Leaside Avenue Stoney Creek, Ontario, CANADA L8E 2N7 Phone: (905) 662-6552 Fax: (905) 662 9875	TITLE:
CREATED	Z.D. 12/12/2018		M05 MUFFLER ASSEMBLY - BOM
CHECKED	K.A. 12/12/2018	DWG. NO.	REV
UNLESS OTHERWISE SPECIFIED: DIMENSIONS ARE IN INCHES TOLERANCES: FRACTIONAL OR .X = ±.015 .XX = ±.010 .XXX = ±.005		M05-BOM	P2
MATERIAL	--	SCALE: 1:10	WEIGHT:--

PROPRIETARY AND CONFIDENTIAL
THE INFORMATION CONTAINED IN THIS DRAWING IS THE SOLE PROPERTY OF **FRUITLAND MANUFACTURING**. ANY REPRODUCTION IN PART OR AS A WHOLE WITHOUT THE WRITTEN PERMISSION OF FRUITLAND MFG. IS PROHIBITED.




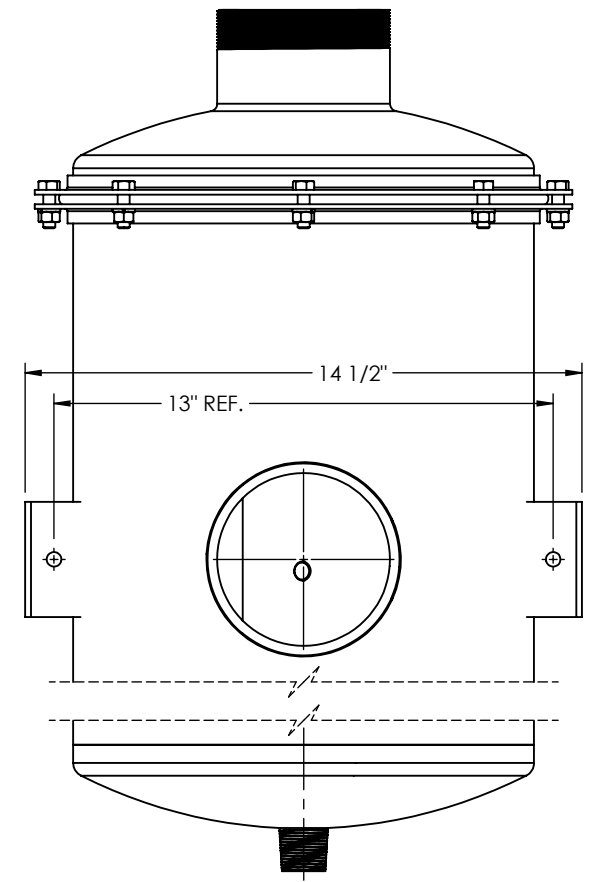
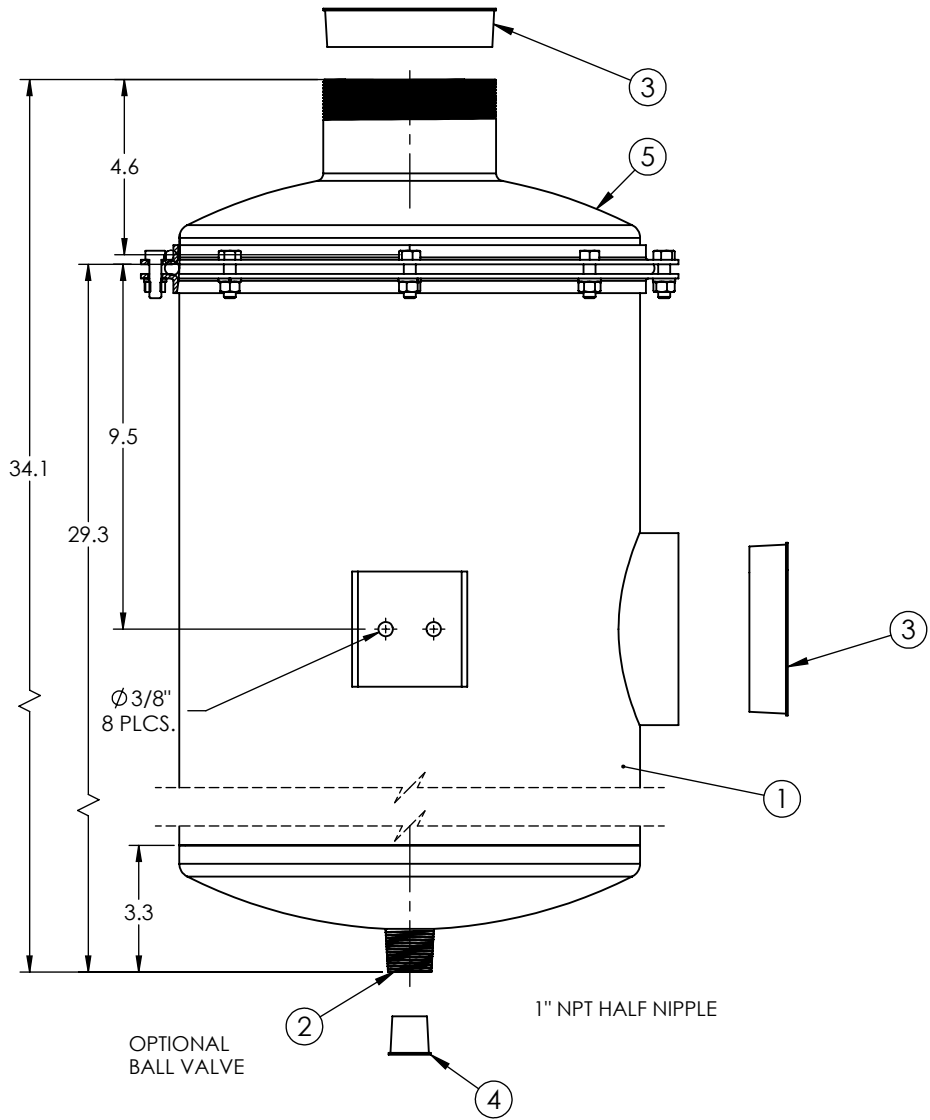
EFW 8 LBS
WELDED CONSTRUCTION
(1/8" FILLET)

INSERT ASSM PT# M05I

ITEM #	DESCRIPTION	DWG #	PART #	QTY.
1	BAFFLE PLATE -- 16 Ga. (.062) 5-13/16" OD	M05I-3D	M05I-3D	1
2	RING -- 11Ga. (.120) 11-11/16" OD	M02I-3E	M02I-3E	1
3	ERW TUBING 16Ga (.062) x 6" OD x 11-1/4" LG, MAT'L P # M02I-3F		M02I-3F-SC	1
4	BAFFLE FINS -- 16Ga. (.062) 3" x 11"	M02I-3G	M02I-3G	6
5	BAFFLE RING -- 16 Ga. (.062") 5-13/16" OD x 3-1/2" ID	M02I-3H	M02I-3H	2
6	BAFFLE FINS -- 16Ga. (.062) 3" x 5-1/2"	M02I-3G	M02I-1J	3
7	ERW TUBING; Ø4" OD, 0.120" WALL, 2" LONG		M02I-3K	1

PROPRIETARY AND CONFIDENTIAL
THE INFORMATION CONTAINED IN THIS DRAWING IS THE SOLE PROPERTY OF FRUITLAND MANUFACTURING. ANY REPRODUCTION IN PART OR AS A WHOLE WITHOUT THE WRITTEN PERMISSION OF FRUITLAND MFG. IS PROHIBITED.

NAME	DATE		324 Leaside Avenue Stoney Creek, Ontario, CANADA L8E 2N7 Phone: (905) 662-6552 Fax: (905) 662 9875	
CREATED	D.B. 09/18/2015		TITLE:	
CHECKED	K.A. 09/18/2015	M05 INSERT ASSEMBLY		
UNLESS OTHERWISE SPECIFIED: DIMENSIONS ARE IN INCHES TOLERANCES: FRACTIONAL OR .X = ±.015 .XX = ±.010 .XXX = ±.005		DWG. NO.	REV	
MATERIAL		M05I	1	
SCALE: 1:5		WEIGHT:--		



FTM RESERVES THE RIGHT TO MAKE CHANGES WITHOUT NOTICE


AIR FLOW UP TO 400 CFM

DIMENSIONS SHOWN ARE NORMAL SIZES AND FOR REFERENCES ONLY

MUFFLER ASSM. PT# M05

BILL OF MATERIALS			
ITEM NO.	DESCRIPTION	PART NO.	QTY.
1	MUFFLER RL BODY	M05	1
2	OPTIONAL 1" NPT BALL VALVE	M09-A-07	1
3	PLASTIC CAP, 4" DIA.	PC4" NPT	2
4	PLASTIC CAP, 1" DIA.	PC1" STD	1
5	MUFFLER LID M05L-4M	MUFLID	1

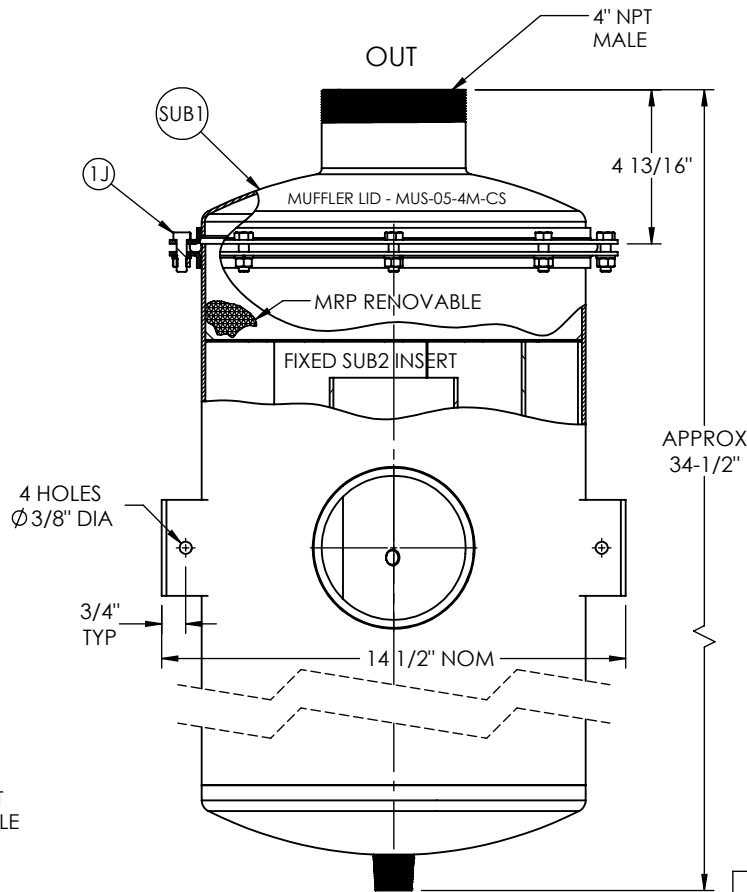
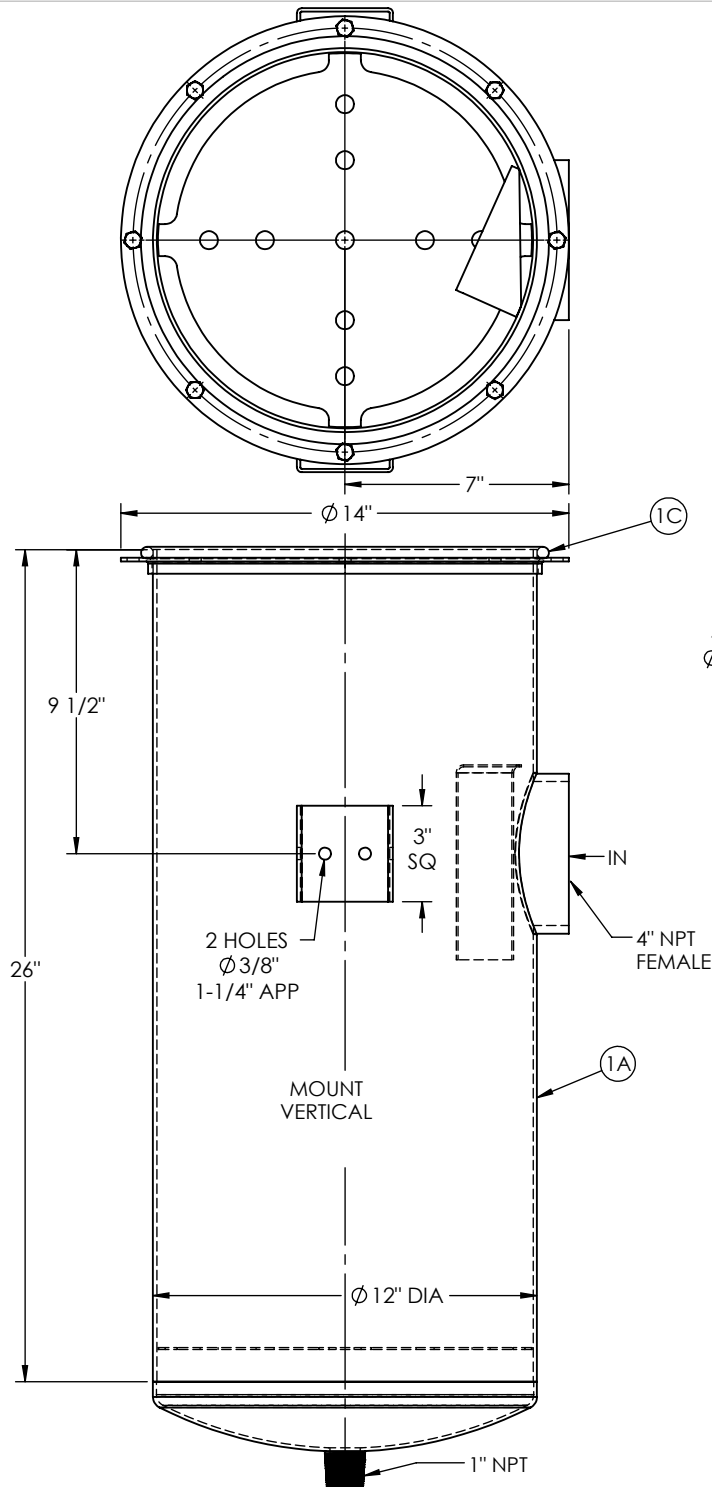
PROPRIETARY AND CONFIDENTIAL
 THE INFORMATION CONTAINED IN THIS DRAWING IS THE SOLE PROPERTY OF FRUITLAND MANUFACTURING. ANY REPRODUCTION IN PART OR AS A WHOLE WITHOUT THE WRITTEN PERMISSION OF FRUITLAND MFG. IS PROHIBITED.

NAME	DATE	 324 Leaside Avenue Stoney Creek, Ontario, CANADA L8E 2N7 Phone: (905) 662-6552 Fax: (905) 662-9875
CREATED	D.B. 09/18/2015	
CHECKED	K.A. 09/18/2015	TITLE:
UNLESS OTHERWISE SPECIFIED: DIMENSIONS ARE IN INCHES		M05 MUFFLER ASSEMBLY
TOLERANCES:		DWG. NO.
FRACTIONAL OR .X = ±.015		M05-ASSM
.XX = ±.010		REV
.XXX = ±.005		4
MATERIAL	--	SCALE: 1:5
		WEIGHT:--

MUFFLER ASSEMBLY PT# M05


AIR FLOW UP TO 1000 CFM
(RCF1200)

REVISIONS				
REV.	DCR#	DESCRIPTION	DATE	APPROVED
1	996	UPDATED MUFFLER LID PART #	01/25/2023	I.P.



MUFFLER ASSM PT# M05

BILL OF MATERIALS			
ITEM#	DESCRIPTION	PART#	QTY./UNIT
	MUFFLER ASSEMBLY CONSIST OF	M05	1
1A	MAIN BODY WITH SUB2 INSERT	WELDMENT	1
1C	"O" RING, .375ACT. SECT. BUNA N, 12:10	M05OR	1
1J	HEX BOLT, 5/16" NC X1" LG, NUT & LW	PURCH	6
SUB1	MUFFLER LID	MUS-05-4M-CS	1
MRP	MIST REDUCER PAD	M05MRP	1

NAME	DATE	 324 Leaside Avenue Stoney Creek, Ontario, CANADA L8E 2N7 Phone: (905) 662-6552 Fax: (905) 662-9875	
CREATED HANS	09/21/2006		
CHECKED HELMUT	01/10/2006	TITLE:	
UNLESS OTHERWISE SPECIFIED: DIMENSIONS ARE IN INCHES TOLERANCES: FRACTIONAL OR .X = ±.015 .XX = ±.010 .XXX = ±.005		M05 MUFFLER ASSEMBLY	
MATERIAL --		DWG. NO. M05-CUC	REV 0
SCALE: 1:12		WEIGHT:--	

PROPRIETARY AND CONFIDENTIAL
 THE INFORMATION CONTAINED IN THIS DRAWING IS THE SOLE PROPERTY OF FRUITLAND MANUFACTURING. ANY REPRODUCTION IN PART OR AS A WHOLE WITHOUT THE WRITTEN PERMISSION OF FRUITLAND MFG. IS PROHIBITED.

5

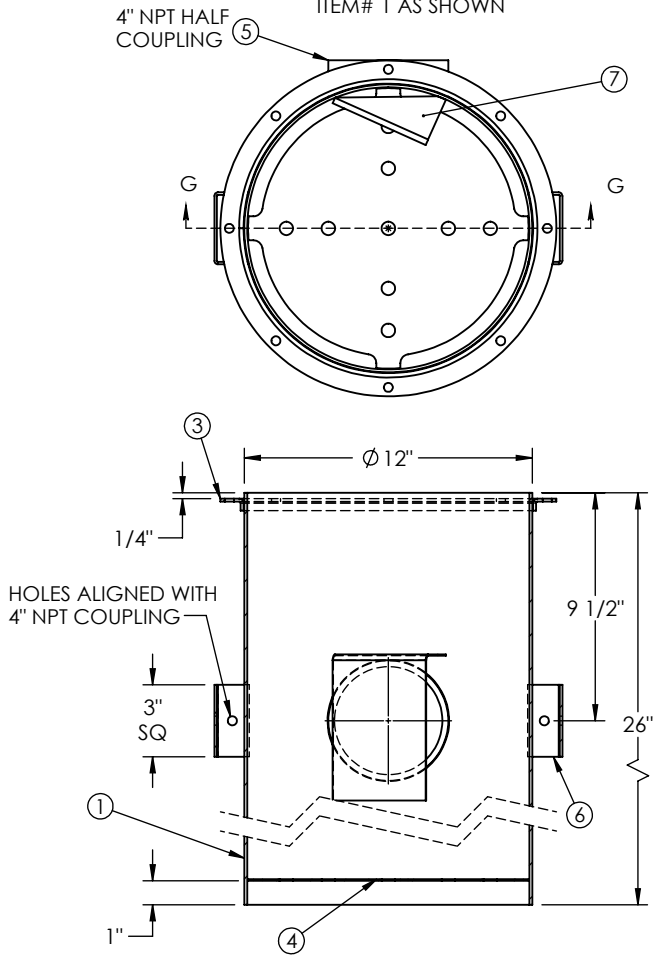
4

3

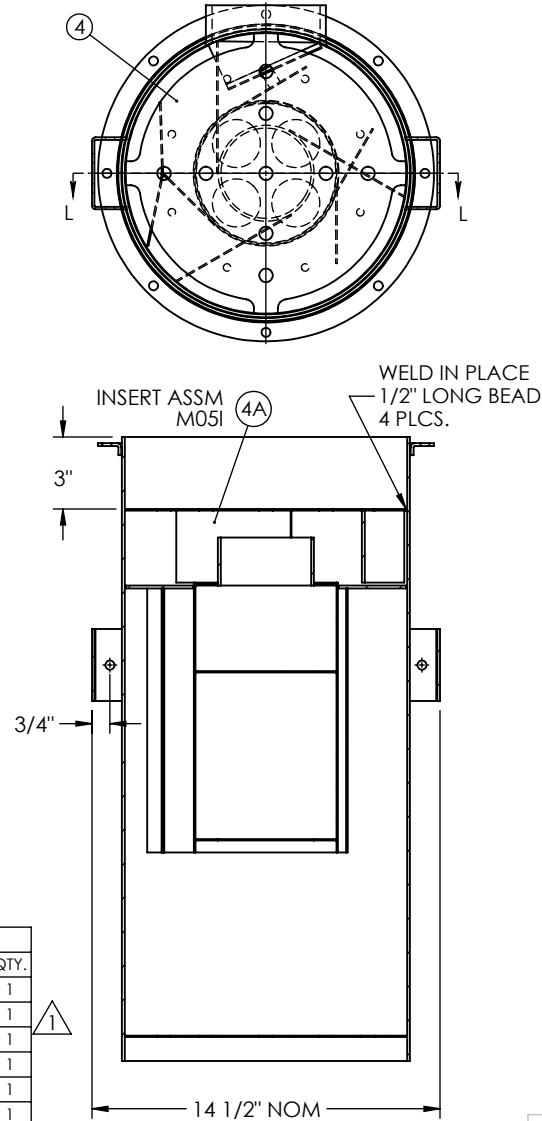
2

1

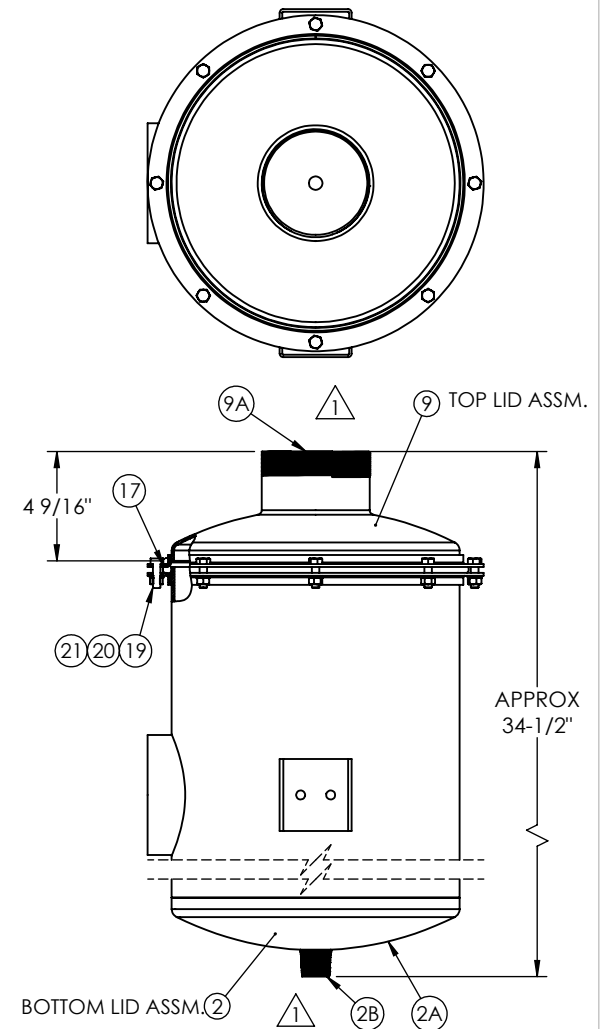
STEP 1
WELD ITEM# 3, 4, 5, 6 & 7 TO
ITEM# 1 AS SHOWN



STEP 2
WELD ITEM# 4A
AS SHOWN



STEP 3
WELD ITEM# 2 (BOTTOM LID) & 15
ATTACH ITEM# 17, 19, 20, 21 & 9 (TOP LID)
AS SHOWN



MUFFLER ASSM PT# M05

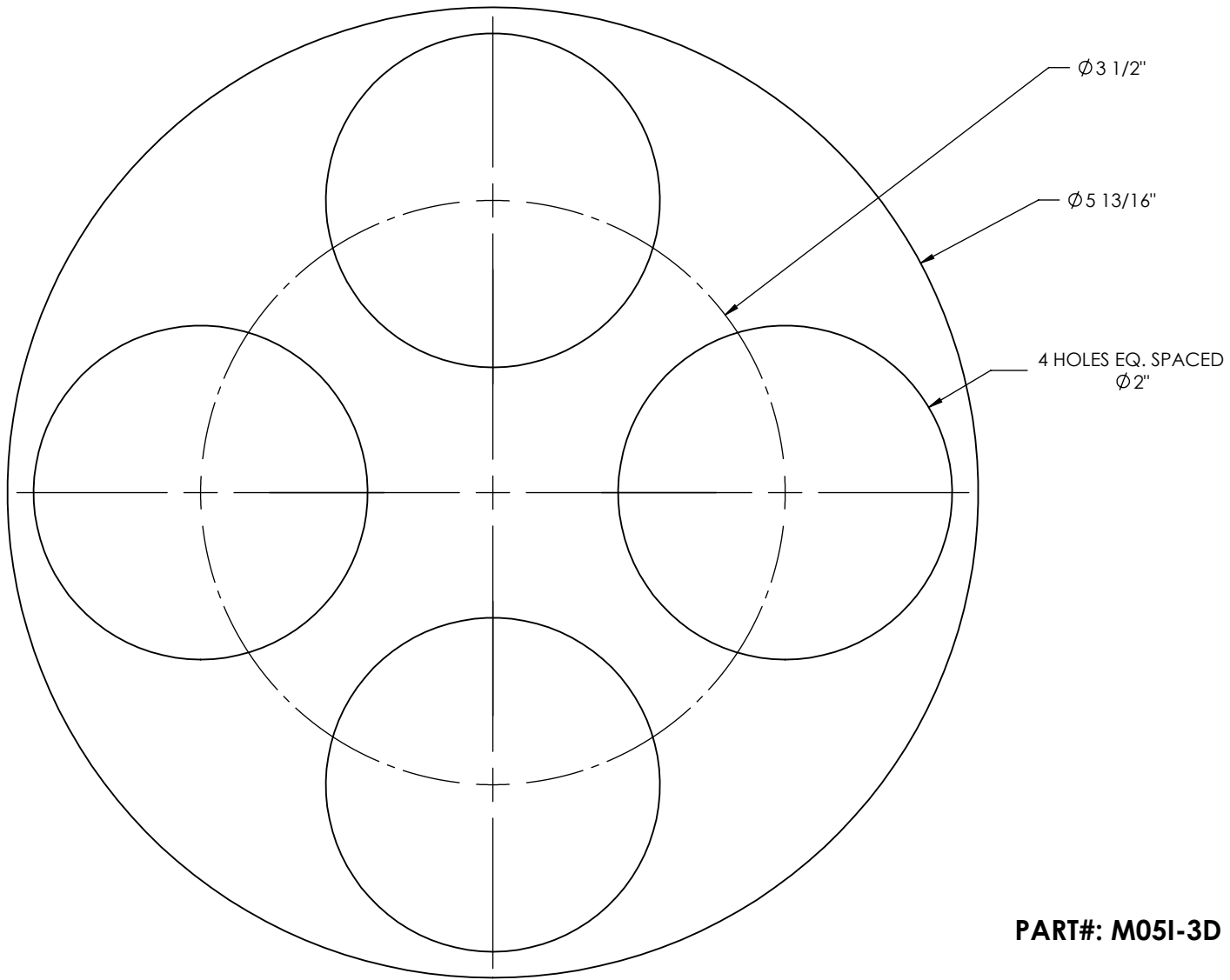
M05 MUFFLER COMPONENTS BILL OF MATERIALS					
ITEM#	DESCRIPTION	DWG #	PART#	MATERIAL PART#	QTY.
1	BODY SHELL 12" OD 11 Ga. 26" LG.	M05B	M05-1A	M05-SHELL	1
2	BOTTOM LID ASSEMBLY		MUS-05-1M-CS		1
2A	BOTTOM LID	MW12-12G	MW12-12G-1M	MW12-CS1	1
2B	1" NPT STD. HALF NIPPLE		M09-A-03	M09-A-03	1
3	MUFFLER RING	MUFRNG	MUFRNG	MUFRING-LC	1
4	DRAIN PLATE 16 Ga. 11-11/16" DIA.	M05DP	M05DP	M05DP	1
4A	M05I INSERT ASSY	M05I			1
5	4" STD WS HALF COUPLING		4WSHC	4WSHC	2
6	MOUNTING BRACKET 11Ga. 5.36" x 3"	M02-1G	M02-1G	M02-1G-LC	2
7	BAFFLE BRACKET 16 Ga. 8" x 6" x 4-1/2"	M02-1I	M02-1I	M02-1I-LC	1
9	MUFFLER LID ASSEMBLY	MUS-05-4M-CS	MUS-05-4M-CS		1
9A	4" NPT STD. HALF NIPPLE		4NPTH-2.5		1
17	"O" RING, .375ACT. SECT. BUNA N, 12:10	MUFRNG	MUFRNG		1
19	5/16" NC 1" LONG ZINC PLATED HEX HEAD BOLTS		5/16"x1"-BOLT		6
20	5/16" -18 HEX NUT		5/16" NC NUTS		6
21	5/8" LOCKWASHER		5/16" L/W		6

DCR #996, REV 1: ADDED TOP & BOTTOM LID SUB-ASSM INFO, 01/25/2023, I.P.

PROPRIETARY AND CONFIDENTIAL

THE INFORMATION CONTAINED IN THIS DRAWING IS THE SOLE PROPERTY OF FRUITLAND MANUFACTURING. ANY REPRODUCTION IN PART OR AS A WHOLE WITHOUT THE WRITTEN PERMISSION OF FRUITLAND MFG. IS PROHIBITED.

NAME	DATE	FRUITLAND		324 Leaside Avenue Stoney Creek, Ontario, CANADA L8E 2N7 Phone: (905) 662-6552 Fax: (905) 662-9875	
CREATED	Z.D.	09/18/2015	TITLE: M05 MUFFLER ASSEMBLY		
CHECKED	K.A.	09/18/2015	DWG. NO. M05B		
UNLESS OTHERWISE SPECIFIED: DIMENSIONS ARE IN INCHES TOLERANCES: FRACTIONAL OR .X = ±.015 .XX = ±.010 .XXX = ±.005		SCALE: 1:10		WEIGHT:--	
MATERIAL	--			REV 1	




PART#: M05I-3D

USED ON M02I & M05I INSERT ASSEMBLIES

BAFFLE PLATE
 MAT'L: 16 Ga. MILD STEEL

PROPRIETARY AND CONFIDENTIAL
 THE INFORMATION CONTAINED IN THIS DRAWING IS THE SOLE PROPERTY OF FRUITLAND MANUFACTURING. ANY REPRODUCTION IN PART OR AS A WHOLE WITHOUT THE WRITTEN PERMISSION OF FRUITLAND MFG. IS PROHIBITED.

	NAME	DATE	 <small>324 Leaside Avenue Stoney Creek, Ontario, CANADA L8E 2N7 Phone: (905) 662-6552 Fax: (905) 662 9875</small>	
CREATED	Z.D.	12/12/2018		
CHECKED	K.A.	12/12/2018	TITLE:	
UNLESS OTHERWISE SPECIFIED: DIMENSIONS ARE IN INCHES TOLERANCES: FRACTIONAL OR .X = ±.015 .XX = ±.010 .XXX = ±.005			Baffle Plate	
MATERIAL		--	DWG. NO.	REV
			M05I-3D	PO
			SCALE: 1:1	WEIGHT:--

5

4

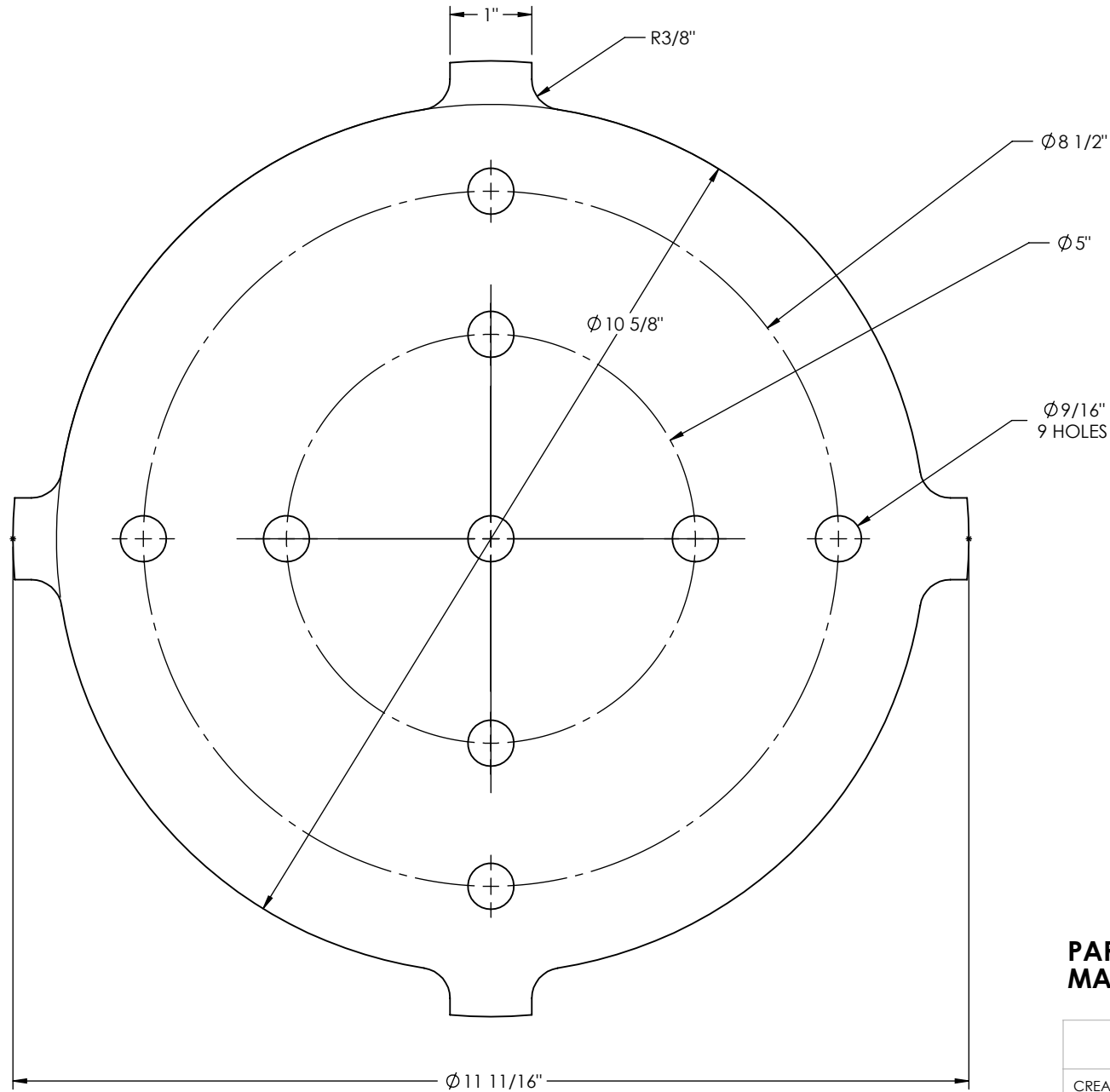
3

2


1

REVISIONS				
REV.	DCR#	DESCRIPTION	DATE	APPROVED
1	268	NAME PLATE DELETED	DEC. 07/05	WALTER

DCR # 636. REV 04. UPDATED PART NUMBERS. 1-17-2018 K.A.



PART#: M05DP
MAT'L PART#: M05DP

NAME	DATE	 <small>324 Leaside Avenue Stoney Creek, Ontario, CANADA L8E 2N7 Phone: (905) 662-6552 Fax: (905) 662 9875</small>	TITLE:	
CREATED	D.B. 09/18/2015		UNLESS OTHERWISE SPECIFIED: DIMENSIONS ARE IN INCHES TOLERANCES: FRACTIONAL OR .X = ±.015 .XX = ±.010 .XXX = ±.005	DRAIN PLATE
CHECKED	K.A. 09/18/2015	DWG. NO.		M05DP
MATERIAL	--	SCALE: 1:2	WEIGHT:--	

DRAIN PLATE
 MAT'L 16 Ga. MILD STEEL

PROPRIETARY AND CONFIDENTIAL
 THE INFORMATION CONTAINED IN THIS
 DRAWING IS THE SOLE PROPERTY OF
FRUITLAND MANUFACTURING. ANY
 REPRODUCTION IN PART OR AS A
 WHOLE WITHOUT THE WRITTEN
 PERMISSION OF FRUITLAND MFG. IS
 PROHIBITED.

5

4

3

2

1