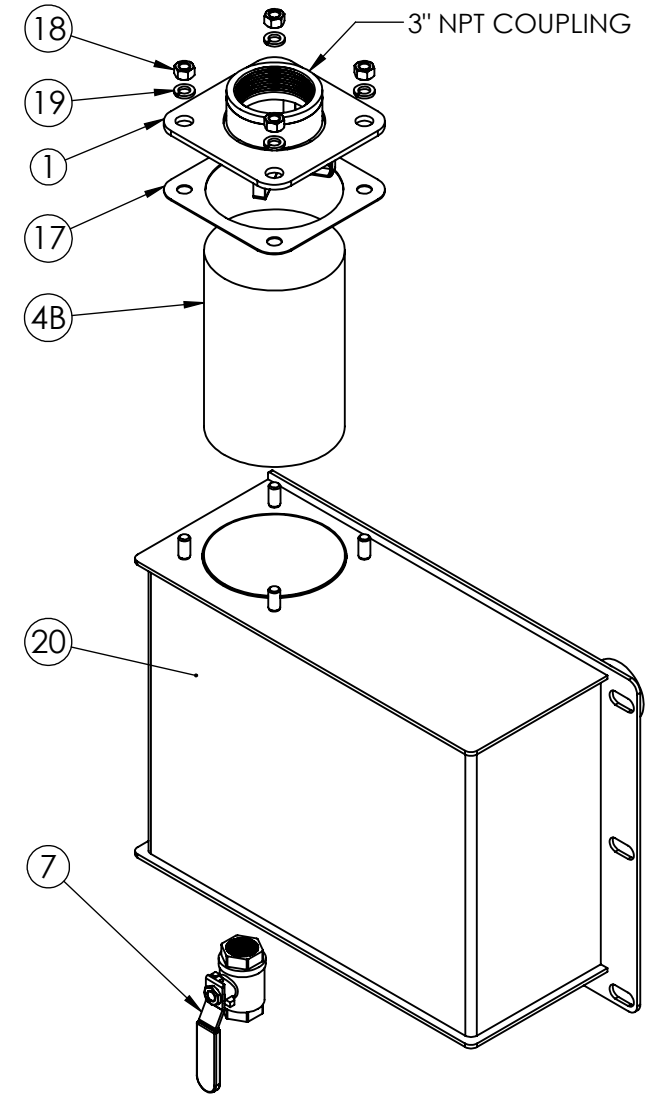
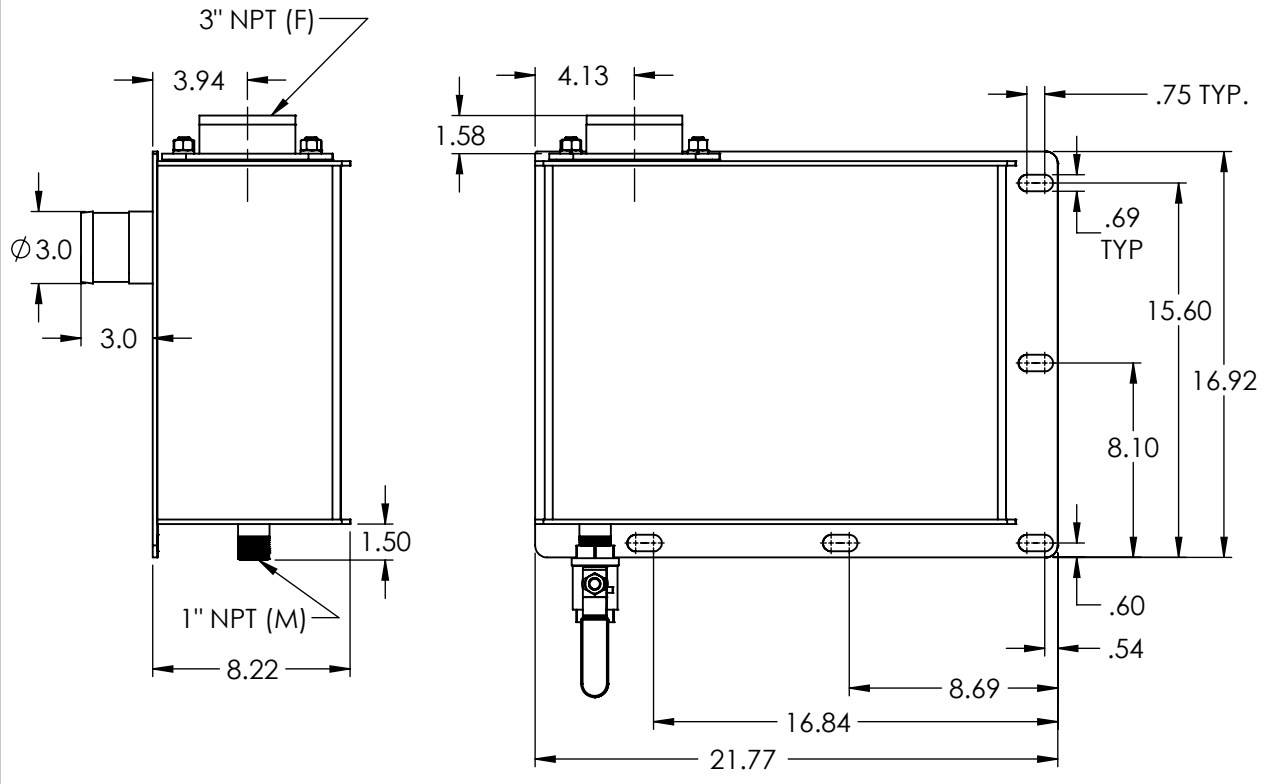


M09 Muffler for Eliminator Package

PART # RF500-M09C 




REV. 3 DCR# 477, 25/01/13, FH - ADDED TITLE BLOCK AND UPDATED PART #'S
 REV. 4 DCR# 803, 12/12/18, ZD - ADDED ITEM# 4 IN BOM TABLE, UPDATED EXP. VIEW
 REV. 5 DCR# 878, 10/11/20, ZD - UPDATED BOM, REMOVED SHEETS FROM TITLE BLOCK
 REV. 6 DCR# 934, 1/10/22, KA - REVISED DESIGN
 REV. 7 DCR# 962, 7/05/22, ZD - REVISED DESIGN, UPDATED BOM (PART# FOR ITEM# 1)
 REV. 8 DCR# 986, 11/29/22, ZD - UPDATED DESIGN, TITLE, SHEET THICKNESS, ADDED SIDE VIEW & SOME DIMS.

CUSTOMER COPY

ITEM #	PART #	DRAWING#	DESCRIPTION	QTY.
1	M09-06-NPT	M09-06-NPT	FILTER CARTRIDGE EXHAUST PLATE Ø3" NPT	1
4B	M09-F1		S.S.FILTR CARTRIDGE 9" WIDE, ROLED TO Ø6"	1
7	M09-A-07		1" NPT BALL VALVE	1
17	M09-07	M09-07	1/16" THK RUBBER GASKET	1
18	1/2" NUT		1/2" ZINC PLATED NC HEX NUTS	4
19	1/2" L/W		1/2" ZINC PLATED LOCK WASHERS	4
20	RF500-M09	M09-ASSM-WELD	M09 MUFFLER WELDMENT	1



PROPRIETARY AND CONFIDENTIAL
 THE INFORMATION CONTAINED IN THIS DRAWING IS THE SOLE PROPERTY OF FRUITLAND MANUFACTURING. ANY REPRODUCTION IN PART OR AS A WHOLE WITHOUT THE WRITTEN PERMISSION OF FRUITLAND MFG. IS PROHIBITED.

NAME	DATE	 324 Leaside Avenue Stoney Creek, Ontario, CANADA L8E 2N7 Phone: (905) 662-6552 Fax: (905) 662 9875
CREATED	K.A. 12/11/2008	
CHECKED		TITLE: M09 MUFFLER ASSEMBLY
UNLESS OTHERWISE SPECIFIED: DIMENSIONS ARE IN INCHES TOLERANCES: FRACTIONAL OR .X = ±.015 .XX = ±.010 .XXX = ±.005		DWG. NO. M09C-BOM
MATERIAL	--	SCALE: 1:6
		WEIGHT:--
		REV 8

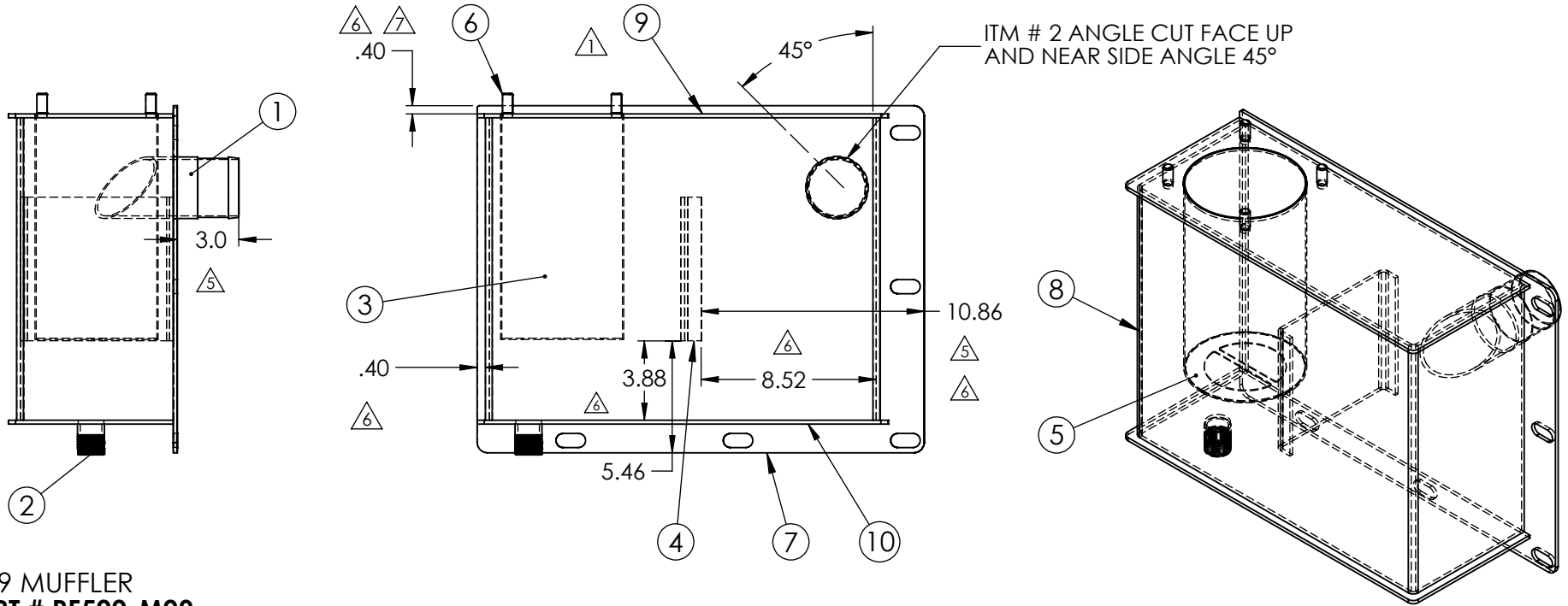
5

4

3

2

1



ITM # 2 ANGLE CUT FACE UP AND NEAR SIDE ANGLE 45°

**M09 MUFFLER
PART # RF500-M09**

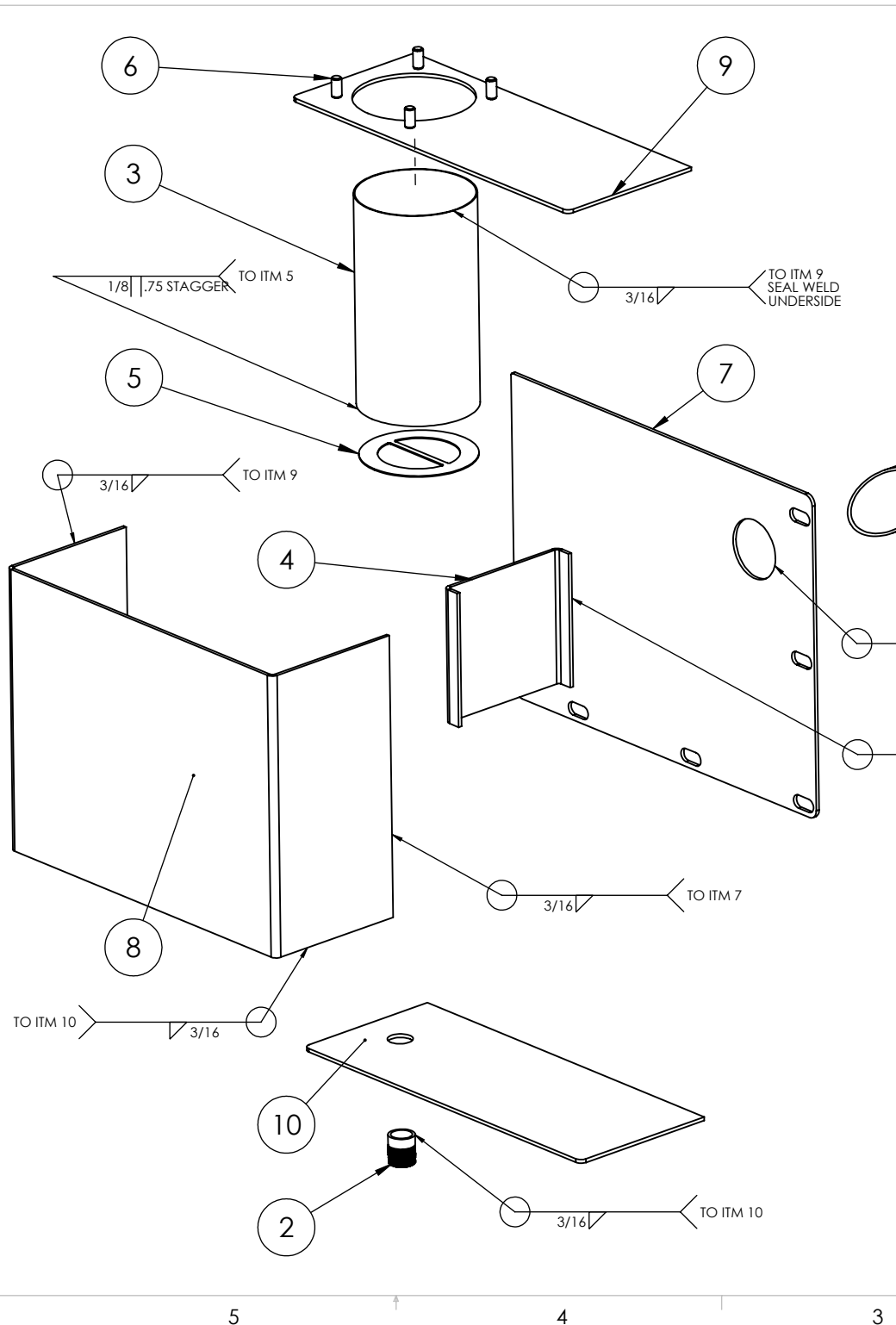
**SEE WELD INSTRUCTIONS ON EXPLODED VIEW
DWG # M09-AB**

ITEM #	PART #	DRAWING#	DESCRIPTION	QTY.
1	M09-08	M09-08	Ø3" TUBE, 0.125" WALL TH.	1
2	M09-A-03		Ø1" NPT HALF NIPPLE	1
3	M021-3F	FA-09-00	6"O.D.X 11-1/4" LONG X 16 GA WALL TH. FILTER SLEEVE	1
4	M09-09	M09-09	M09 MID BRACE, MS SHEET 3/16"	1
5	M09-BR	M09-BR	FILTER BOTTOM RING 16 GA	1
6	101010177		STUD, 1/2"-13 NC, 1" LONG	4
7	M09-01	M09-01	M09 BACK PLATE, MS SHEET 3/16"	1
8	M09-02	M09-02	M09 OUTER BODY, MS SHEET 3/16"	1
9	M09-03	M09-03	M09 TOP PLATE, MS SHEET 3/16"	1
10	M09-04	M09-04	M09 BOTTOM PLATE, MS SHEET 3/16"	1

REV. 1, DCR# 346, CHANGED ITEM 8 FROM M09-08 TO PF09-A-1, 8/12/2009, K.A.
 REMOVED LIFTING LUG, ITEM # 10, 5/6/2010, K.A.
 REV. 2, DCR# 375, CHANGED GASKET MATERIAL TO 1/16" THK. RUBBER, 5/6/2010, K.A.
 REV. 3, DCR# 878, UPDATED NOM, REMOVED SHEETS FROM TITLE BLOCK, 11/10/2020, I.D.
 REV. 4, DCR# 934, REVISED DESIGN, 1/10/2022, K.A.
 REV. 5, DCR# 934, ADDED INLET TUBE DIMS, 5/19/2022, K.A.
 REV. 6, DCR# 962, UPDATED DIMS & REV. TABLE, 7/05/2022, I.D.
 REV. 7, DCR# 986, UPDATED DESIGN, TITLE, SHEET THK. INCREASED TO 3/16", 11/29/2022, I.D.

NAME	DATE	FRUITLAND	
CREATED	K.A. 12/11/2008	324 Leaside Avenue Stoney Creek, Ontario, CANADA L8E 2N7 Phone: (905) 662-6552 Fax: (905) 662-9875	
CHECKED		TITLE: M09 MUFFLER WELDMENT	
UNLESS OTHERWISE SPECIFIED: DIMENSIONS ARE IN INCHES TOLERANCES: FRACTIONAL OR .X = ±.015 .XX = ±.010 .XXX = ±.005		DWG. NO. M09-ASSM-WELD	REV 7
MATERIAL	--	SCALE: 1:8	WEIGHT:--


PROPRIETARY AND CONFIDENTIAL
 THE INFORMATION CONTAINED IN THIS DRAWING IS THE SOLE PROPERTY OF FRUITLAND MANUFACTURING. ANY REPRODUCTION IN PART OR AS A WHOLE WITHOUT THE WRITTEN PERMISSION OF FRUITLAND MFG. IS PROHIBITED.



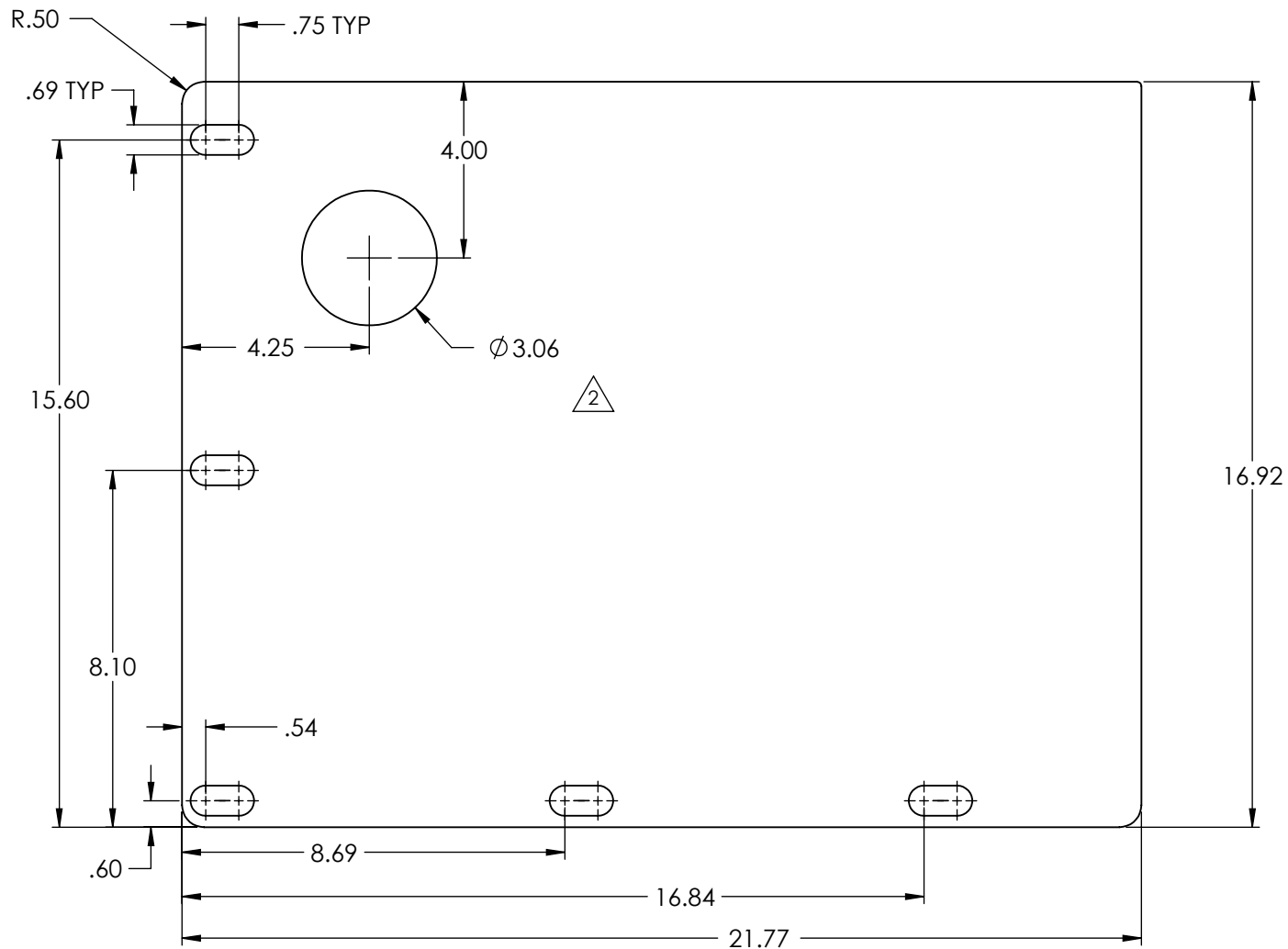
ITEM #	PART #	DRAWING #	DESCRIPTION	QTY.
1	M09-08	M09-08	Ø3" TUBE, 0.125" WALL TH.	1
2	M09-A-03		Ø1" NPT HALF NIPPLE	1
3	M021-3F	FA-09-00	6" O.D. X 11-1/4" LONG X 16 GA WALL TH. FILTER SLEEVE	1
4	M09-09	M09-09	M09 MID BRACE, MS SHEET 3/16"	1
5	M09-BR	M09-BR	FILTER BOTTOM RING 16 GA	1
6	101010177		STUD, 1/2"-13 NC, 1" LONG	4
7	M09-01	M09-01	M09 BACK PLATE, MS SHEET 3/16"	1
8	M09-02	M09-02	M09 OUTER BODY, MS SHEET 3/16"	1
9	M09-03	M09-03	M09 TOP PLATE, MS SHEET 3/16"	1
10	M09-04	M09-04	M09 BOTTOM PLATE, MS SHEET 3/16"	1

**M09 MUFFLER
FABRICATION
PART#: RF500-M09**

DCR# 878, REV. 1, UPDATED BOM, ADDED WELD SPEC., REMOVED SHEETS FROM TITLE BLOCK, 11/10/2020, Z.D.
 DCR# 934, REV. 2, REVISED DESIGN 1/20/2022, K.A.
 DCR# 962, REV. 3, UPDATED SOME PARTS & WELD SIGN 7/05/2022, Z.D.
 DCR # 986, REV. 4, UPDATED DESIGN, TITLE, SHEET THK. INCREASED TO 3/16" 11/29/2022, Z.D.

	NAME	DATE	 324 Leaside Avenue Stoney Creek, Ontario, CANADA L8E 2N7 Phone: (905) 662-6552 Fax: (905) 662-9875	
CREATED	K.A.	12/11/2008		
CHECKED			TITLE: M09 MUFFLER WELDMENT EXPLODED	
UNLESS OTHERWISE SPECIFIED: DIMENSIONS ARE IN INCHES TOLERANCES: FRACTIONAL OR .X = ±.015 .XX = ±.010 .XXX = ±.005			DWG. NO. M09-AB	REV 4
MATERIAL	--	SCALE: 1:8	WEIGHT:--	

PROPRIETARY AND CONFIDENTIAL
 THE INFORMATION CONTAINED IN THIS DRAWING IS THE SOLE PROPERTY OF **FRUITLAND MANUFACTURING**. ANY REPRODUCTION IN PART OR AS A WHOLE WITHOUT THE WRITTEN PERMISSION OF FRUITLAND MFG. IS PROHIBITED.




PART # M09-01

△³ MAT: MS SHEET
3/16" THK.

DCR# 934, REV. 1, UPDATED DIMS. 1/10/2022, K.A.
DCR# 962, REV. 2, UPDATED DIMS. 7/05/2022, Z.D.
DCR# 986, REV. 3, UPDATED SHEET THK. FROM 10 GA (0.1345") TO 3/16", 11/29/2022, Z.D.

PROPRIETARY AND CONFIDENTIAL
THE INFORMATION CONTAINED IN THIS DRAWING IS THE SOLE PROPERTY OF **FRUITLAND MANUFACTURING**. ANY REPRODUCTION IN PART OR AS A WHOLE WITHOUT THE WRITTEN PERMISSION OF FRUITLAND MFG. IS PROHIBITED.

	NAME	DATE	 324 Leaside Avenue Stoney Creek, Ontario, CANADA L8E 2N7 Phone: (905) 662-6552 Fax: (905) 662 9875
CREATED	K.A.	12/11/2008	
CHECKED			TITLE: M09 BACK PLATE
UNLESS OTHERWISE SPECIFIED: DIMENSIONS ARE IN INCHES TOLERANCES: FRACTIONAL OR .X = ±.015 .XX = ±.010 .XXX = ±.005			DWG. NO. M09-01
MATERIAL	--	SCALE: 1:4	WEIGHT:--
			REV 3

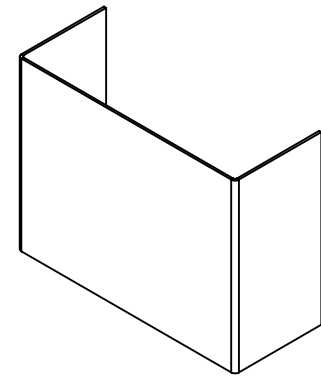
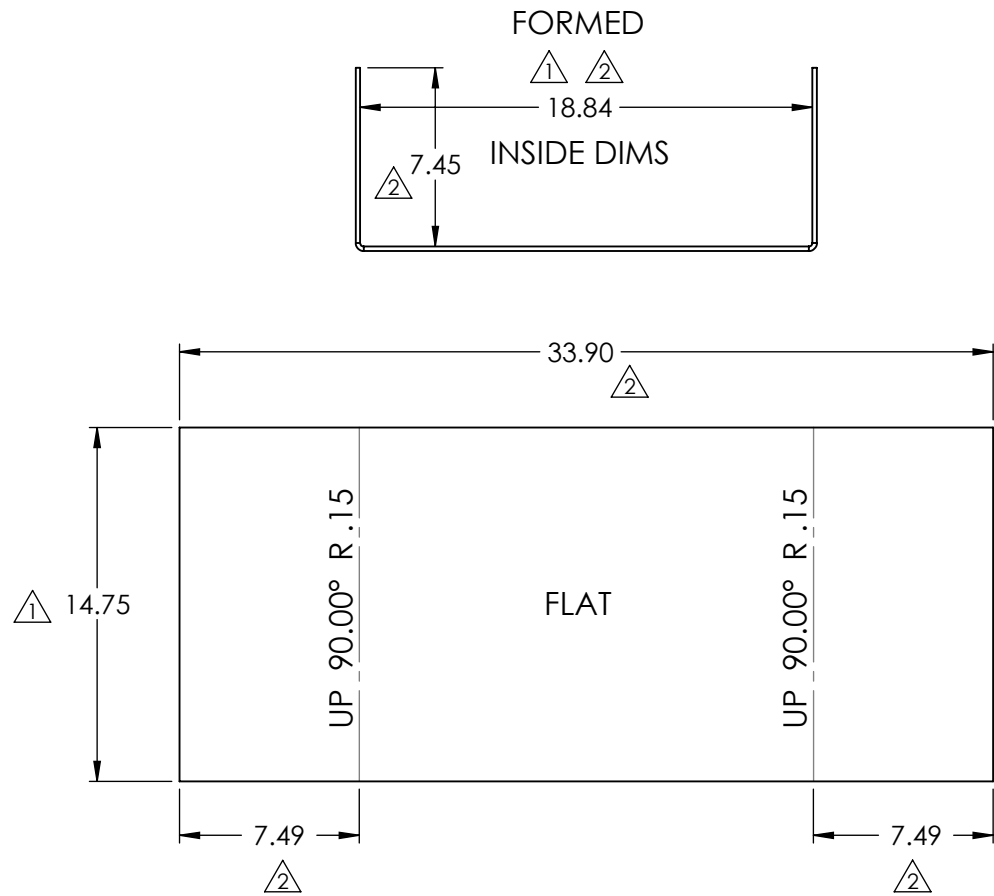
5

4


3


2

1

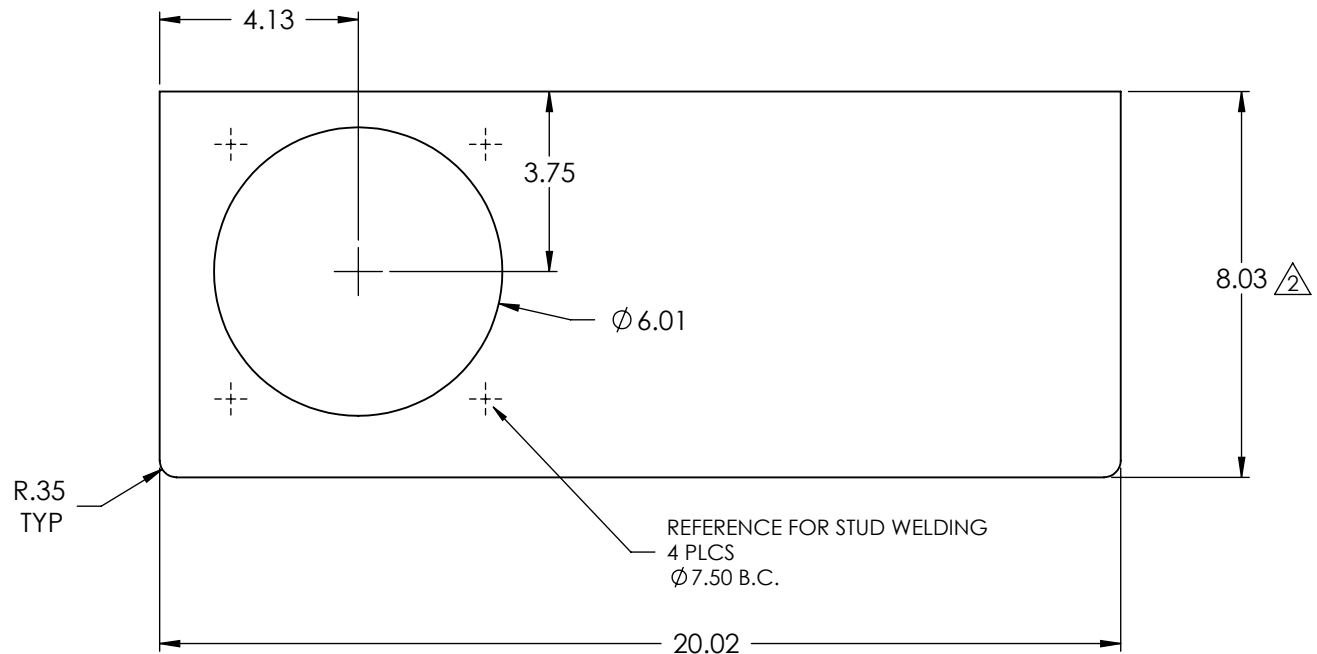


PART # M09-02

 MAT: MS SHEET
3/16" THK.

	NAME	DATE	 324 Leaside Avenue Stoney Creek, Ontario, CANADA L8E 2N7 Phone: (905) 662-6552 Fax: (905) 662 9875	
CREATED	K.A.	12/11/2008		
CHECKED			TITLE:	
UNLESS OTHERWISE SPECIFIED: DIMENSIONS ARE IN INCHES TOLERANCES: FRACTIONAL OR .X = ±.015 .XX = ±.010 .XXX = ±.005			M09 OUTER BODY	
MATERIAL			SCALE: 1:8	WEIGHT:--
			DWG. NO.	REV
			M09-02	2

PROPRIETARY AND CONFIDENTIAL
 THE INFORMATION CONTAINED IN THIS
 DRAWING IS THE SOLE PROPERTY OF
FRUITLAND MANUFACTURING. ANY
 REPRODUCTION IN PART OR AS A
 WHOLE WITHOUT THE WRITTEN
 PERMISSION OF FRUITLAND MFG. IS
 PROHIBITED.



PART # M09-03


REMOVED FLANGE
BOLT HOLES

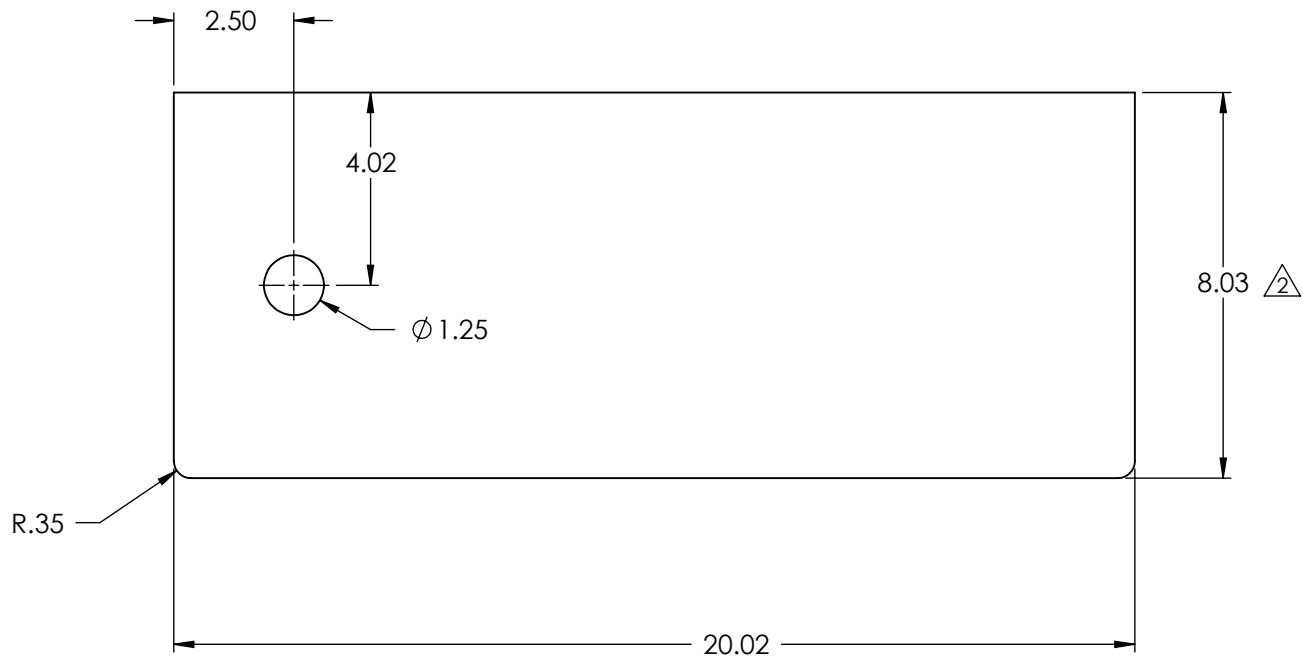


MAT: MS SHEET
3/16" THK.

DCR# 934, REV. 1, UPDATED DIMS.-----, 1/10/2022, K.A.
DCR# 962, REV. 2, UPDATED DIMS.-----, 7/05/2022, Z.D.
DCR# 986, REV. 3, UPDATED SHEET THK. FROM 10 GA (0.1345") TO 3/16", 11/29/2022, Z.D.

PROPRIETARY AND CONFIDENTIAL
THE INFORMATION CONTAINED IN THIS DRAWING IS THE SOLE PROPERTY OF **FRUITLAND MANUFACTURING**. ANY REPRODUCTION IN PART OR AS A WHOLE WITHOUT THE WRITTEN PERMISSION OF FRUITLAND MFG. IS PROHIBITED.


	NAME	DATE	 324 Leaside Avenue Stoney Creek, Ontario, CANADA L8E 2N7 Phone: (905) 662-6552 Fax: (905) 662 9875	
CREATED	K.A.	12/11/2008		
CHECKED			TITLE:	
UNLESS OTHERWISE SPECIFIED: DIMENSIONS ARE IN INCHES TOLERANCES: FRACTIONAL OR .X = ±.015 .XX = ±.010 .XXX = ±.005			M09 TOP PLATE	
MATERIAL		--	DWG. NO.	REV
			M09-03	3
			SCALE: 1:4	WEIGHT:--



PART # M09-04

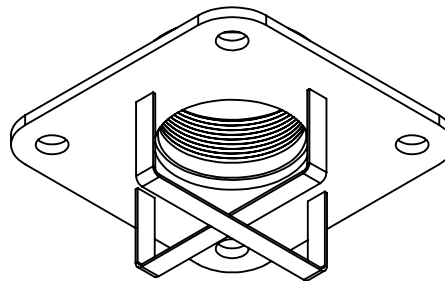
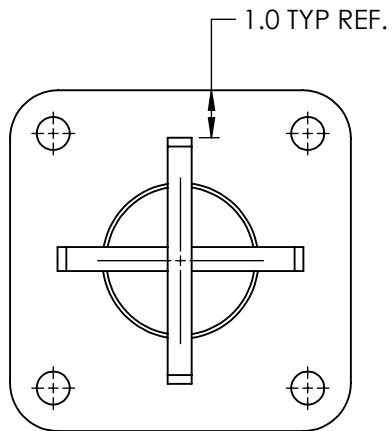
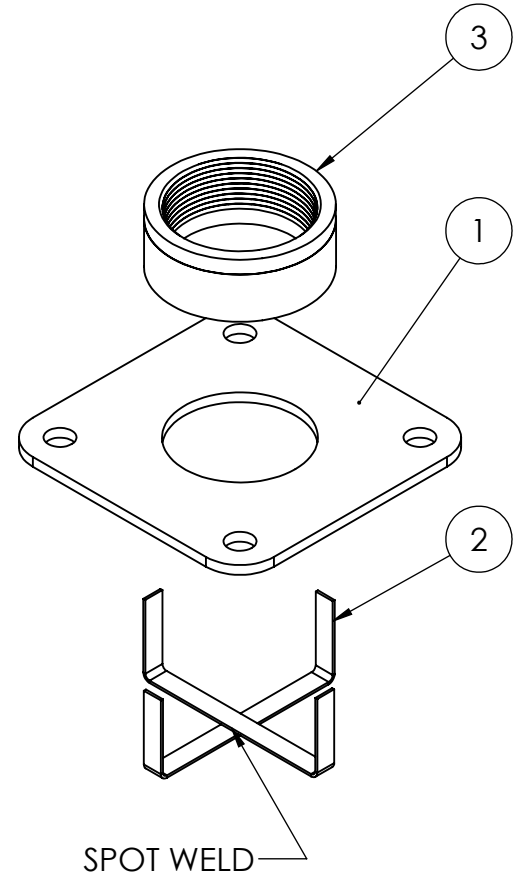
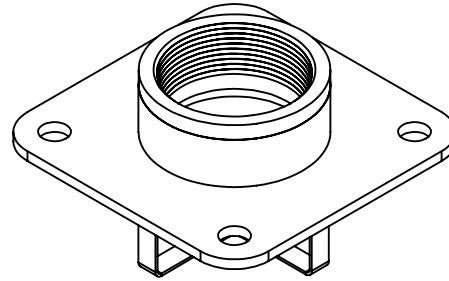
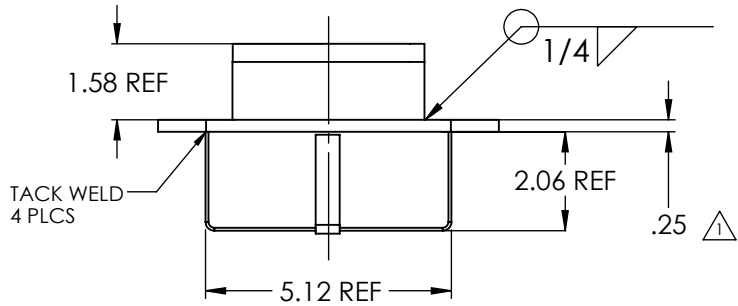
△₃ MAT: MS SHEET
3/16" THK.

DCR# 934, REV. 1, UPDATED DIMS.-----, 1/10/2022, K.A.
DCR# 942, REV. 2, UPDATED DIMS.-----, 7/05/2022, T.D.
DCR# 986, REV. 3, UPDATED SHEET THK. FROM 10 GA [0.1345"] TO 3/16", 11/29/2022, T.D.

	NAME	DATE	 324 Leaside Avenue Stoney Creek, Ontario, CANADA L8E 2N7 Phone: (905) 662-6552 Fax: (905) 662-9875	
CREATED	K.A.	12/11/2008		
CHECKED			TITLE: M09 BOTTOM PLATE	
UNLESS OTHERWISE SPECIFIED: DIMENSIONS ARE IN INCHES TOLERANCES: FRACTIONAL OR .X = ±.015 .XX = ±.010 .XXX = ±.005			DWG. NO. M09-04	REV 3
MATERIAL	--	SCALE: 1:4	WEIGHT:--	

PROPRIETARY AND CONFIDENTIAL
THE INFORMATION CONTAINED IN THIS
DRAWING IS THE SOLE PROPERTY OF
FRUITLAND MANUFACTURING. ANY
REPRODUCTION IN PART OR AS A
WHOLE WITHOUT THE WRITTEN
PERMISSION OF FRUITLAND MFG. IS
PROHIBITED.

ITEM #	PART #	DRAWING #	DESCRIPTION	QTY
1	M09-06	M09-06	M09 EXHAUST PLATE, MS SHEET 1/4"	1
2	M09-F2B		FLAT BAR 1/2" x 1/8", 9-1/4" LONG, FORMED AS SHOWN	2
3	M09-A-01		Ø3" NPT HALF COUPLING	1



FILTER CARTRIDGE EXHAUST PLATE 3" NPT
PART #: M09-06-NPT

NOTE: REV P0 CHANGED TO REV 0, 08/03/2018
 DCR# 986, REV. 1, UPDATED ITEM# 1 (INCREASED SHEET THK. FROM 3/16" TO 1/4"), 11/29/2022, Z.D.

PROPRIETARY AND CONFIDENTIAL
 THE INFORMATION CONTAINED IN THIS DRAWING IS THE SOLE PROPERTY OF FRUITLAND MANUFACTURING. ANY REPRODUCTION IN PART OR AS A WHOLE WITHOUT THE WRITTEN PERMISSION OF FRUITLAND MFG. IS PROHIBITED.

	NAME	DATE	 324 Leaside Avenue Stoney Creek, Ontario, CANADA L8E 2N7 Phone: (905) 662-6552 Fax: (905) 662 9875	
CREATED	K.A.	12/11/2008		
CHECKED			TITLE:	
UNLESS OTHERWISE SPECIFIED: DIMENSIONS ARE IN INCHES TOLERANCES: FRACTIONAL OR .X = ±.015 .XX = ±.010 .XXX = ±.005			FILTER CARTRIDGE EX PLATE 3" NPT	
MATERIAL		--	DWG. NO.	REV
			M09-06-NPT	1
			SCALE: 1:4	WEIGHT:--

5

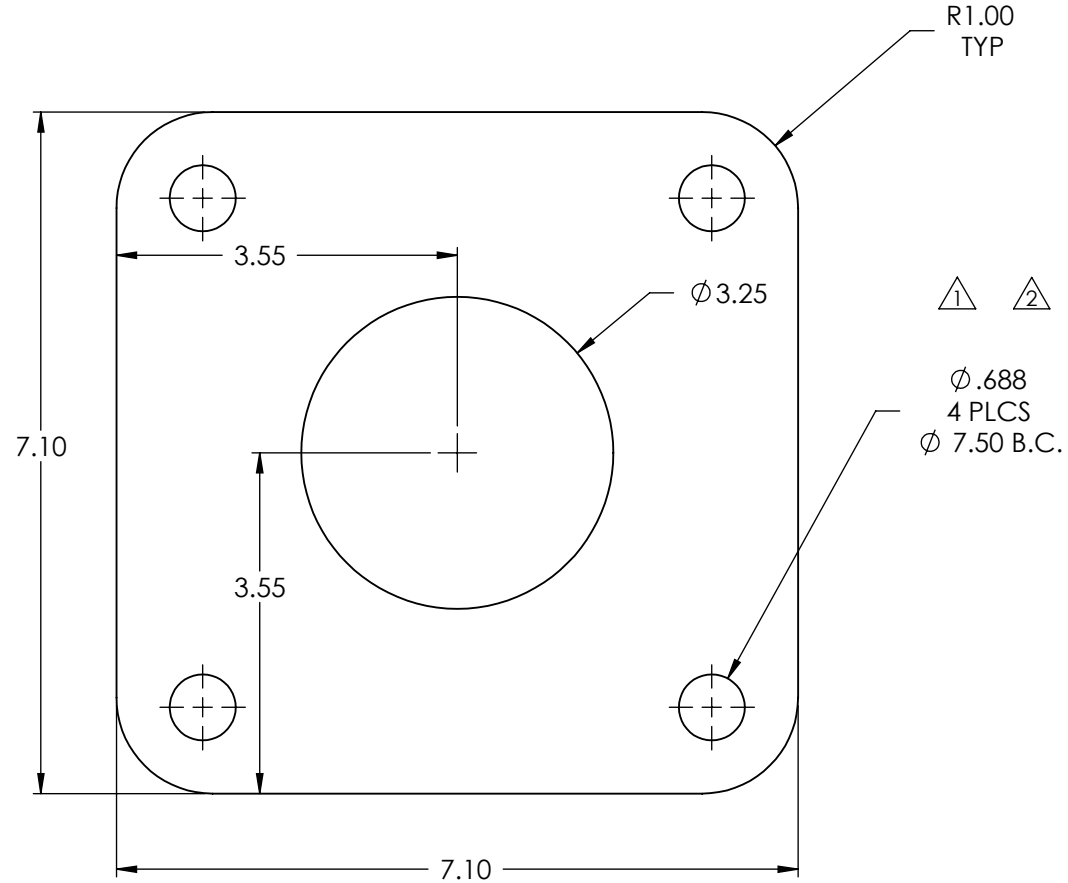
4

3

2

1


REV.	DCR #	DESCRIPTION	DATE	APPROVED
1	349	INCREASED HOLE SIZE FROM .469" TO 5/8" FOR 1/2" STUD SIZE \triangle	8/12/2009	KHURRAM
2	367	INCREASED HOLE SIZE FROM 5/8" TO .688" \triangle	3/8/2010	KHURRAM
3	986	INCREASED MS SHEET THK. FROM 3/16" TO 1/4" \triangle	11/29/2022	ZELJKO



PART # M09-06

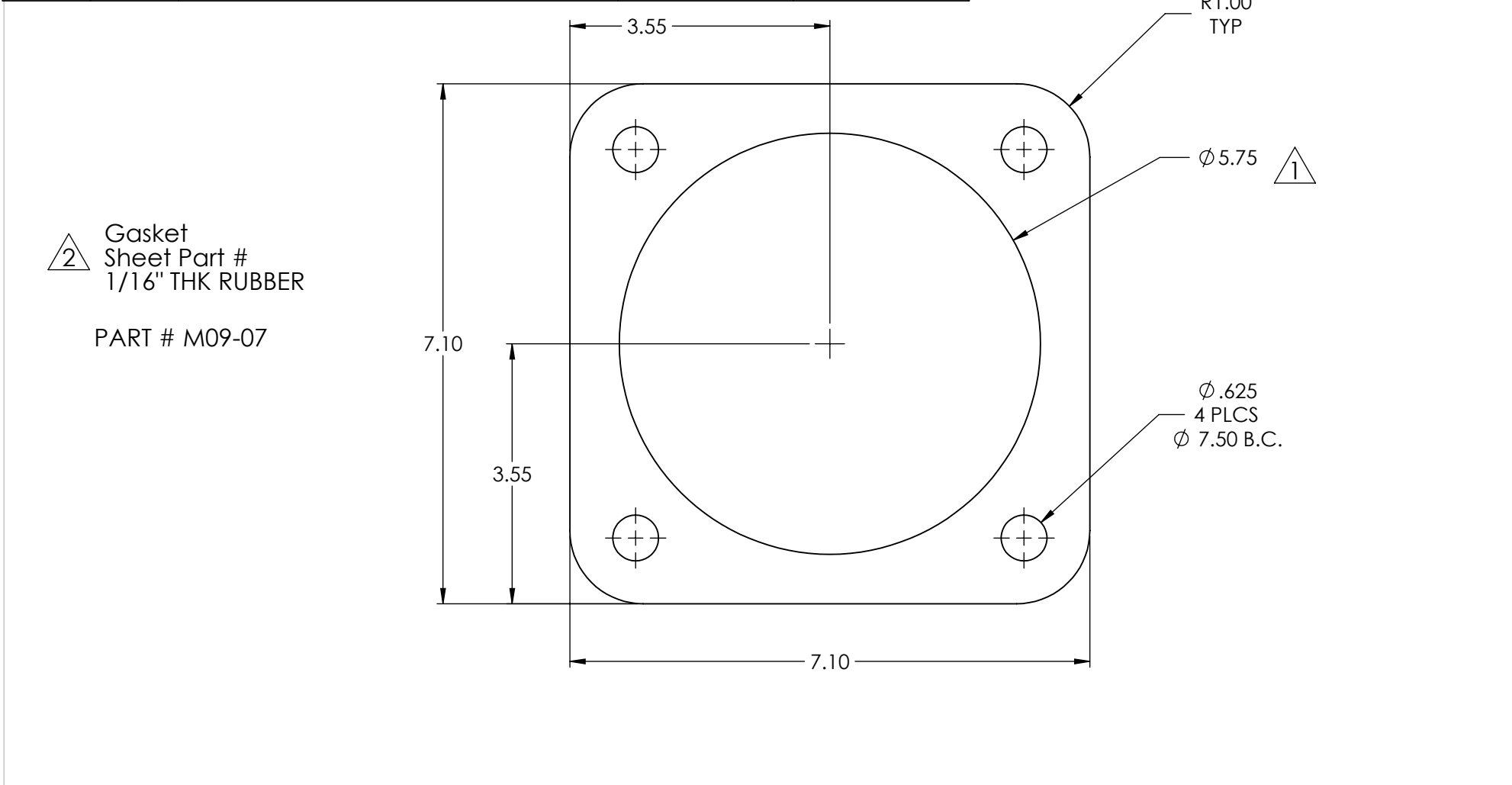


MAT: MS SHEET
1/4" THK.

	NAME	DATE	 <small>324 Leaside Avenue Stoney Creek, Ontario, CANADA L8E 2N7 Phone: (905) 662-6552 Fax: (905) 662-9875</small>	
CREATED	K.A.	12/11/2008		
CHECKED			TITLE: M09 EXHAUST PLATE	
UNLESS OTHERWISE SPECIFIED: DIMENSIONS ARE IN INCHES TOLERANCES: FRACTIONAL OR .X = ±.015 .XX = ±.010 .XXX = ±.005			DWG. NO. M09-06	REV 3
MATERIAL	--	SCALE: 1:2	WEIGHT:--	


PROPRIETARY AND CONFIDENTIAL
THE INFORMATION CONTAINED IN THIS DRAWING IS THE SOLE PROPERTY OF **FRUITLAND MANUFACTURING**. ANY REPRODUCTION IN PART OR AS A WHOLE WITHOUT THE WRITTEN PERMISSION OF FRUITLAND MFG. IS PROHIBITED.

REVISIONS				
REV.	DCR	DESCRIPTION	DATE	APPROVED
1	369	CHANGED HOLE SIZES FROM 4" TO 5.75"	3/11/2010	KHURRAM
2	375	CHANGED GASKET MATERIAL TO 1/16" THK. RUBBER	5/6/2010	KHURRAM

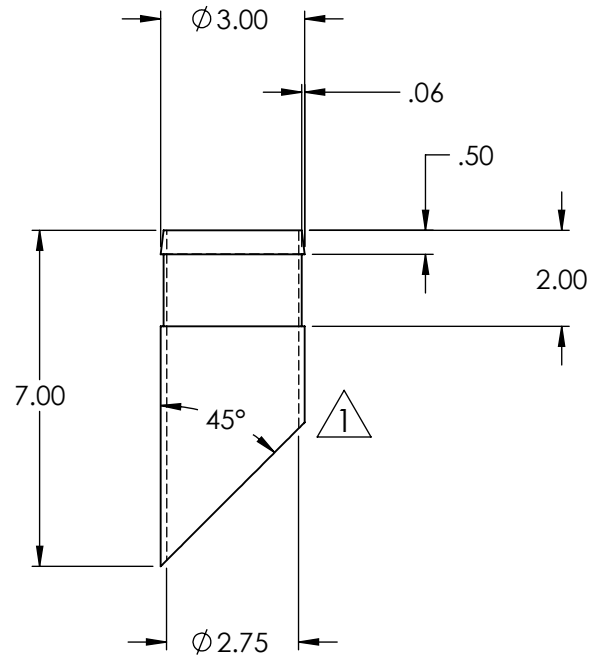
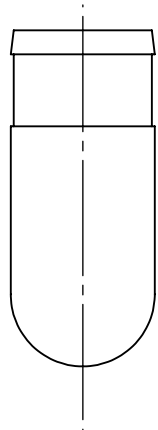
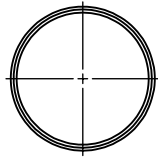


2 Gasket
 Sheet Part #
 1/16" THK RUBBER

 PART # M09-07


	NAME	DATE	 324 Leaside Avenue Stoney Creek, Ontario, CANADA L8E 2N7 Phone: (905) 662-6552 Fax: (905) 662 9875	
CREATED	K.A.	12/11/2008	TITLE:	
CHECKED			M09 EXHAUST PLATE GASKET	
UNLESS OTHERWISE SPECIFIED: DIMENSIONS ARE IN INCHES TOLERANCES: FRACTIONAL OR .X = ±.015 .XX = ±.010 .XXX = ±.005			DWG. NO.	REV
MATERIAL			M09-07	2
--			SCALE: 1:2	WEIGHT:--

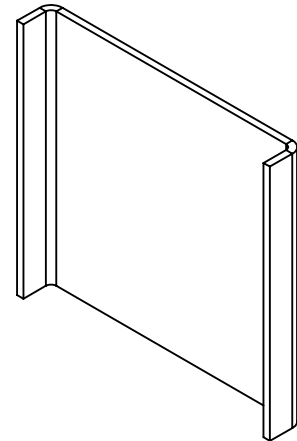
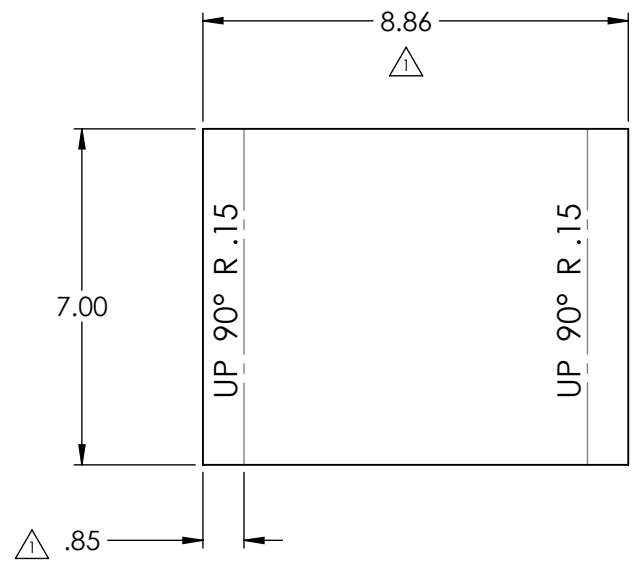
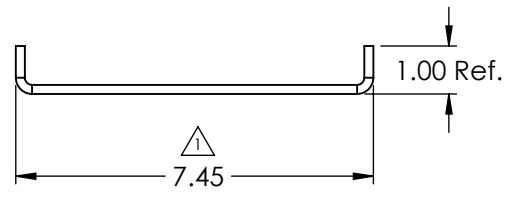
PROPRIETARY AND CONFIDENTIAL
 THE INFORMATION CONTAINED IN THIS
 DRAWING IS THE SOLE PROPERTY OF
FRUITLAND MANUFACTURING. ANY
 REPRODUCTION IN PART OR AS A
 WHOLE WITHOUT THE WRITTEN
 PERMISSION OF FRUITLAND MFG. IS
 PROHIBITED.



PART # M09-08
 MATERIAL: 3.0" O.D. TUBE 1/8" WALL, CARBON STEEL


PROPRIETARY AND CONFIDENTIAL
 THE INFORMATION CONTAINED IN THIS DRAWING IS THE SOLE PROPERTY OF FRUITLAND MANUFACTURING. ANY REPRODUCTION IN PART OR AS A WHOLE WITHOUT THE WRITTEN PERMISSION OF FRUITLAND MFG. IS PROHIBITED.

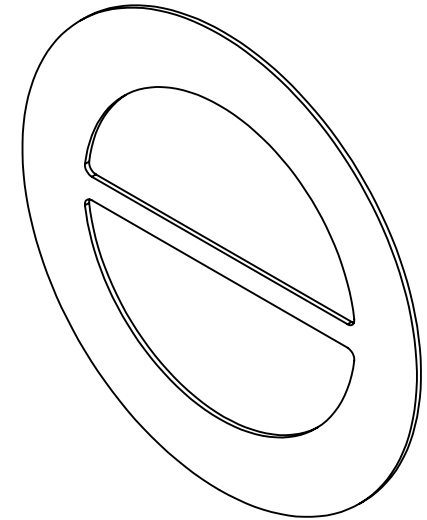
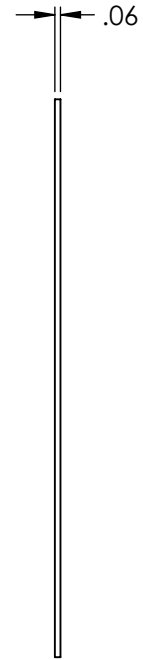
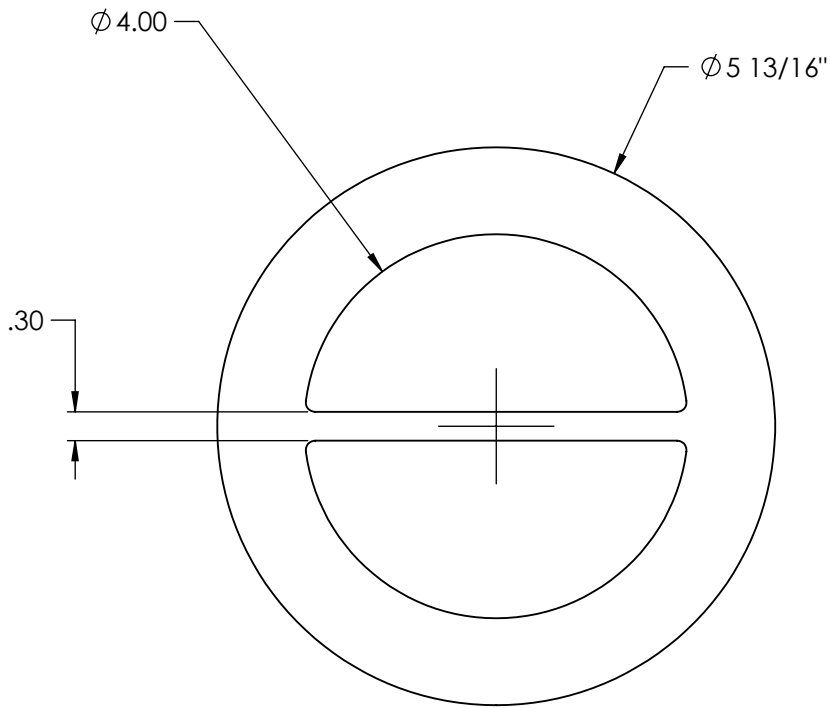
	NAME	DATE	 324 Leaside Avenue Stoney Creek, Ontario, CANADA L8E 2N7 Phone: (905) 662-6552 Fax: (905) 662 9875	
CREATED	K.A.	12/11/2008		
CHECKED			TITLE:	
UNLESS OTHERWISE SPECIFIED: DIMENSIONS ARE IN INCHES TOLERANCES: FRACTIONAL OR .X = ±.015 .XX = ±.010 .XXX = ±.005			M09 INLET TUBE	
MATERIAL			DWG. NO.	REV
--			M09-08	1
SCALE: 1:4			WEIGHT:--	



PART # M09-09
 MAT: MS SHEET 3/16" THK.


PROPRIETARY AND CONFIDENTIAL
 THE INFORMATION CONTAINED IN THIS DRAWING IS THE SOLE PROPERTY OF FRUITLAND MANUFACTURING. ANY REPRODUCTION IN PART OR AS A WHOLE WITHOUT THE WRITTEN PERMISSION OF FRUITLAND MFG. IS PROHIBITED.

	NAME	DATE	 324 Leaside Avenue Stoney Creek, Ontario, CANADA L8E 2N7 Phone: (905) 662-6552 Fax: (905) 662 9875	
CREATED	K.A.	12/11/2008		
CHECKED			TITLE:	
UNLESS OTHERWISE SPECIFIED: DIMENSIONS ARE IN INCHES TOLERANCES: FRACTIONAL OR .X = ±.015 .XX = ±.010 .XXX = ±.005			M09 MID STIFFENER	
MATERIAL		--	DWG. NO.	REV
			M09-09	1
			SCALE: 1:4	WEIGHT:--



△ **PART # M09-BR**
 MAT: 16 GA (0.059") MS SHEET

PROPRIETARY AND CONFIDENTIAL
 THE INFORMATION CONTAINED IN THIS DRAWING IS THE SOLE PROPERTY OF FRUITLAND MANUFACTURING. ANY REPRODUCTION IN PART OR AS A WHOLE WITHOUT THE WRITTEN PERMISSION OF FRUITLAND MFG. IS PROHIBITED.

	NAME	DATE	 324 Leaside Avenue Stoney Creek, Ontario, CANADA L8E 2N7 Phone: (905) 662-6552 Fax: (905) 662 9875	
CREATED	K.A.	1/7/2021	TITLE: FILTER BOTTOM RING	
CHECKED			DWG. NO. M09-BR	REV 1
UNLESS OTHERWISE SPECIFIED: DIMENSIONS ARE IN INCHES TOLERANCES: FRACTIONAL OR .X = ±.015 .XX = ±.010 .XXX = ±.005			SCALE: 1:2	WEIGHT:--
MATERIAL	--			