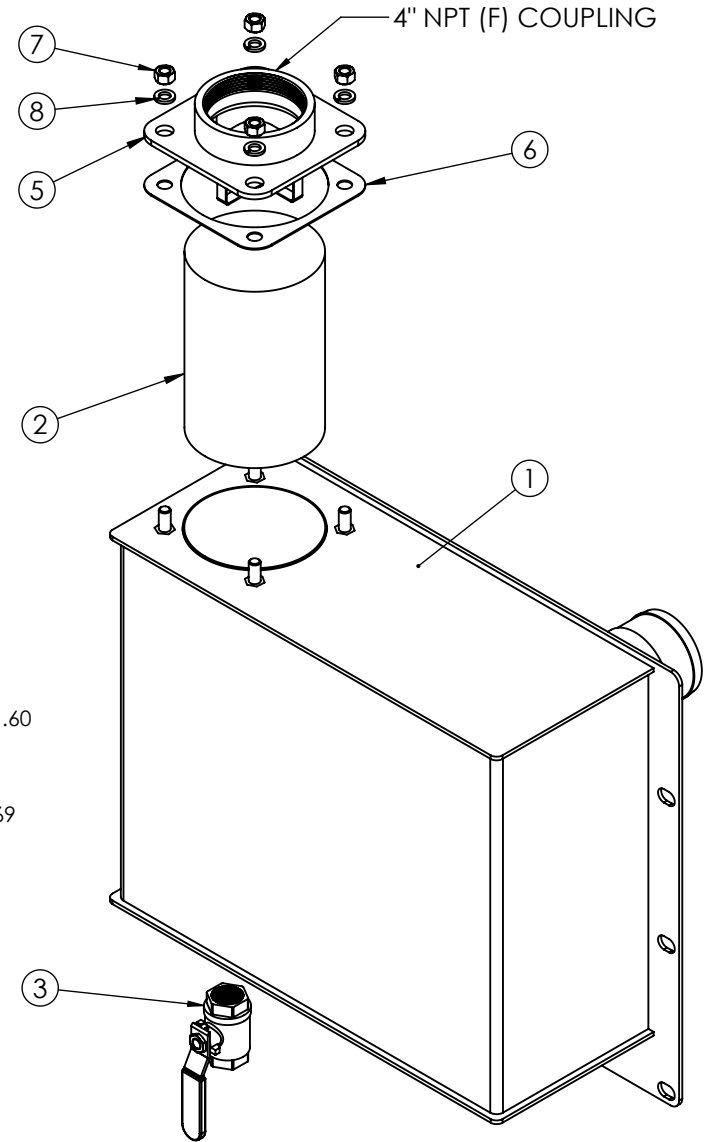
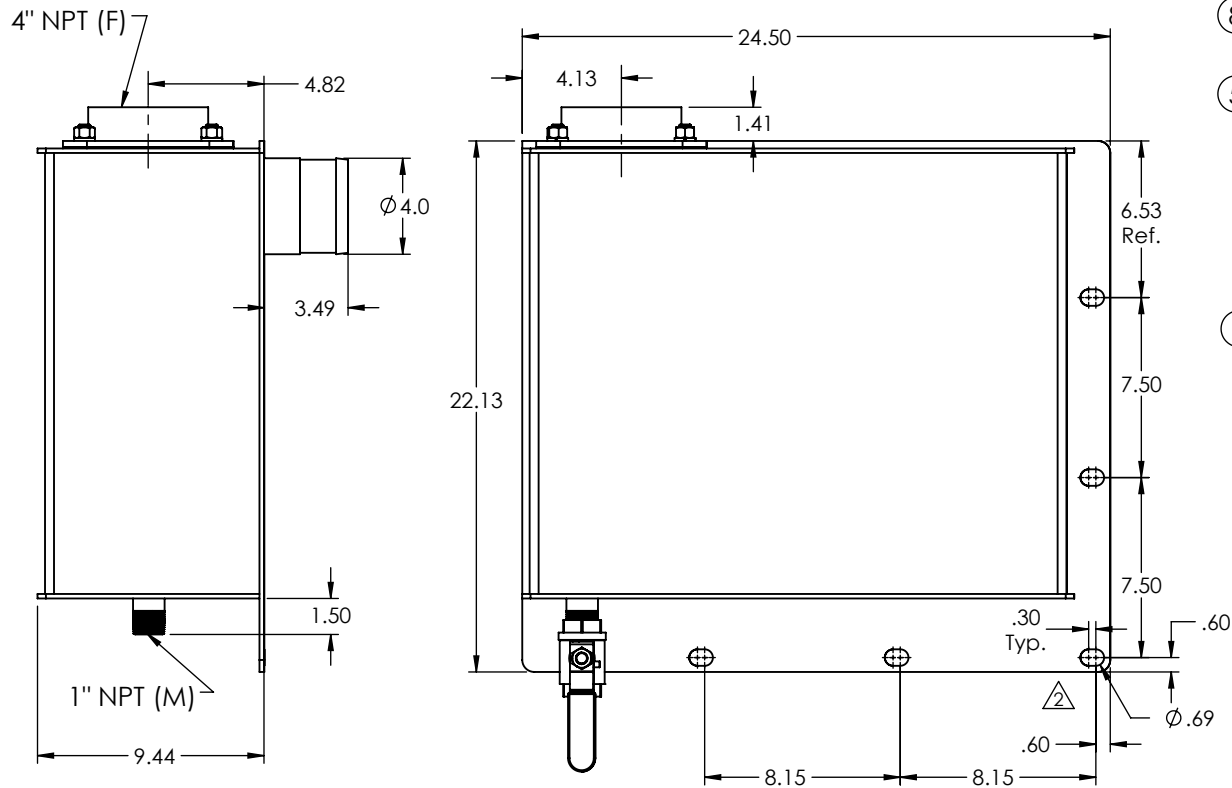


M14 Muffler for Eliminator Package (Right)
PART # RF870-M14C



CUSTOMER COPY

REV. 1, UPDATED BOM PART #S _____, 07/09/2021, A.C.
 DCR# 985, REV. 1, UPDATED BOM, COMPANY LOGO, EXPLODED VIEW, ADDED SLOTS ON BACK PLATE, 12/08/2022, Z.D.

ITEM #	PART #	DRAWING #	DESCRIPTION	QTY.
1	RF870-M14	M14	M14 MUFFLER WELDMENT	1
2	M09-F1		S.S. FILTER CARTRIDGE 9" WIDE, ROLED TO $\phi 6"$	1
3	M09-A-07		1" NPT BALL VALVE	1
5	M14-06-4NPT	M14-06-4NPT	FILTER CARTRIDGE EXHAUST PLATE 4" NPT	1
6	M09-07	M09-07	1/16" THK RUBBER GASKET	1
7	1/2" NUT		1/2" ZINC PLATED NC HEX NUTS	4
8	1/2" L/W		1/2" ZINC PLATED LOCK WASHERS	4

PROPRIETARY AND CONFIDENTIAL
 THE INFORMATION CONTAINED IN THIS DRAWING IS THE SOLE PROPERTY OF FRUITLAND MANUFACTURING. ANY REPRODUCTION IN PART OR AS A WHOLE WITHOUT THE WRITTEN PERMISSION OF FRUITLAND MFG. IS PROHIBITED.

NAME	DATE	FRUITLAND	
CREATED	Z.D. 12/07/2015	324 Leaside Avenue Stoney Creek, Ontario, CANADA L8E 2N7 Phone: (905) 662-6552 Fax: (905) 662-9875	
CHECKED	K.A. 12/07/2015		
UNLESS OTHERWISE SPECIFIED: DIMENSIONS ARE IN INCHES TOLERANCES: FRACTIONAL OR .X = ±.015 .XX = ±.010 .XXX = ±.005		TITLE:	
MATERIAL		M14 MUFFLER ASSEMBLY	
		DWG. NO.	REV
		M14-CUST	2
		SCALE: 1:8	WEIGHT:--

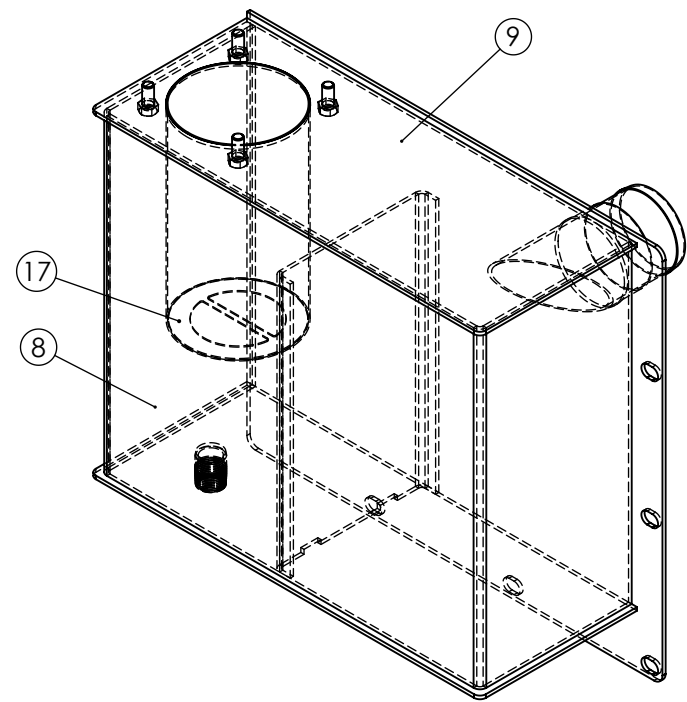
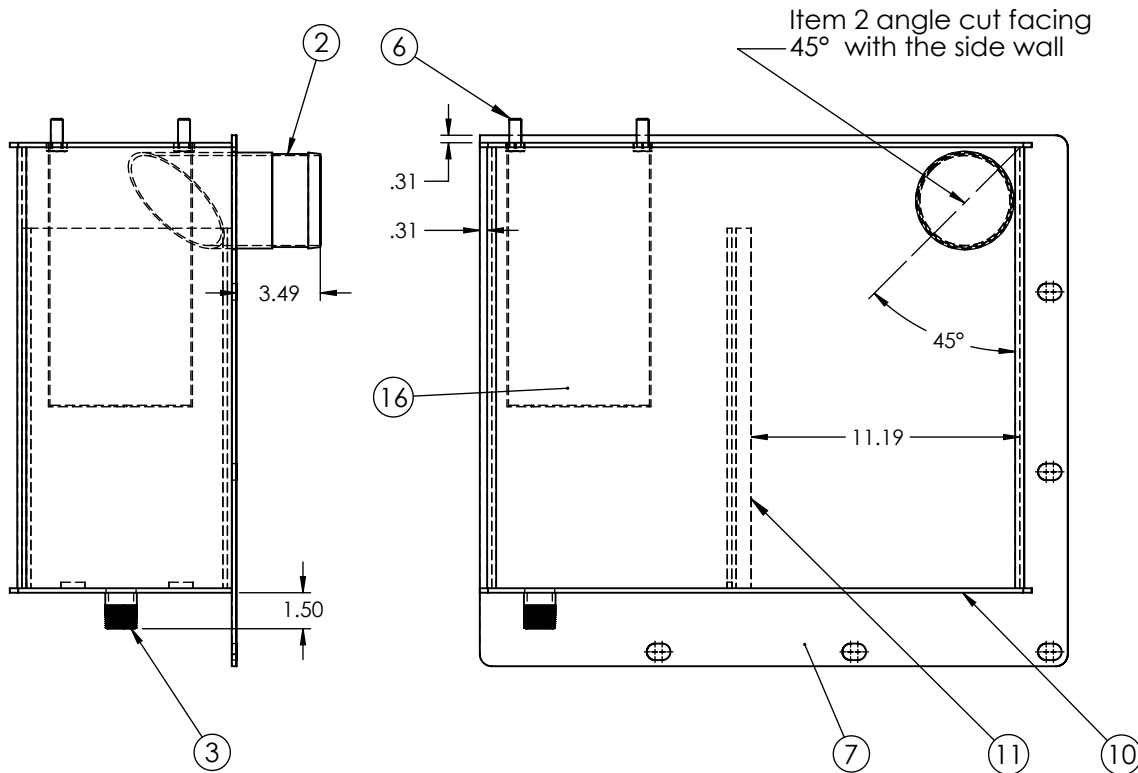
5

4

3

2

1




**M14 MUFFLER
 PART # RF870-M14**

SEE WELD INSTRUCTIONS ON EXPLODED VIEW
DWG # M14-EXP

ITEM #	PART #	DRAWING #	DESCRIPTION	QTY.
2	M14-08	M14-08	Ø4" TUBE, 0.125" WALL	1
3	M09-A-03		Ø1" NPT HALF NIPPLE	1
6	101010177		STUD, 1/2"-13 NC, 1" LONG	4
7	M14-01	M14-01	M14 BACK PLATE, MS SHEET 3/16"	1
8	M14-02	M14-02	M14 OUTER BODY, MS SHEET 3/16"	1
9	M14-03	M14-03	M14 TOP PLATE, MS SHEET 3/16"	1
10	M14-04	M14-04	M14 BOTTOM PLATE, MS SHEET 3/16"	1
11	M14-05	M14-05	M14 BAFFLE PLATE 3/16"	1
16	M02I-3F		Ø6 X 11.25 X 16GA WALL THK, FILTER SLEEVE	1
17	M09-BR	M09-BR	FILTER BOTTOM RING 16 GA	1

PROPRIETARY AND CONFIDENTIAL
 THE INFORMATION CONTAINED IN THIS DRAWING IS THE SOLE PROPERTY OF FRUITLAND MANUFACTURING. ANY REPRODUCTION IN PART OR AS A WHOLE WITHOUT THE WRITTEN PERMISSION OF FRUITLAND MFG. IS PROHIBITED.

NAME	DATE	 324 Leaside Avenue Stoney Creek, Ontario, CANADA L8E 2N7 Phone: (905) 662-6552 Fax: (905) 662 9875
CREATED	Z.D. 12/07/2015	
CHECKED	K.A. 12/07/2015	TITLE: M14 MUFFLER WELDMENT
UNLESS OTHERWISE SPECIFIED: DIMENSIONS ARE IN INCHES TOLERANCES: FRACTIONAL OR .X = ±.015 .XX = ±.010 .XXX = ±.005		DWG. NO. M14
MATERIAL	--	SCALE: 1:8
		WEIGHT:--
		REV 2

5

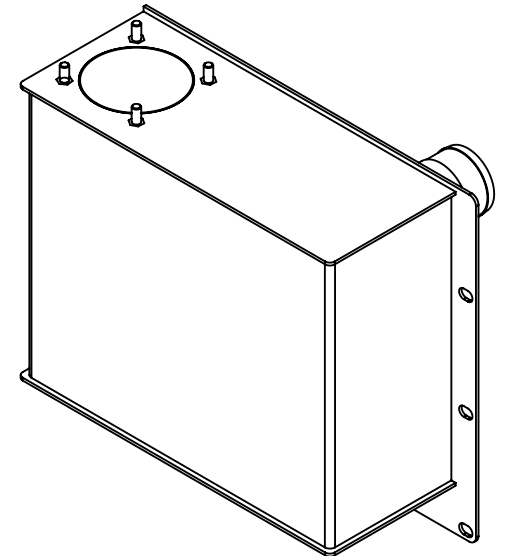
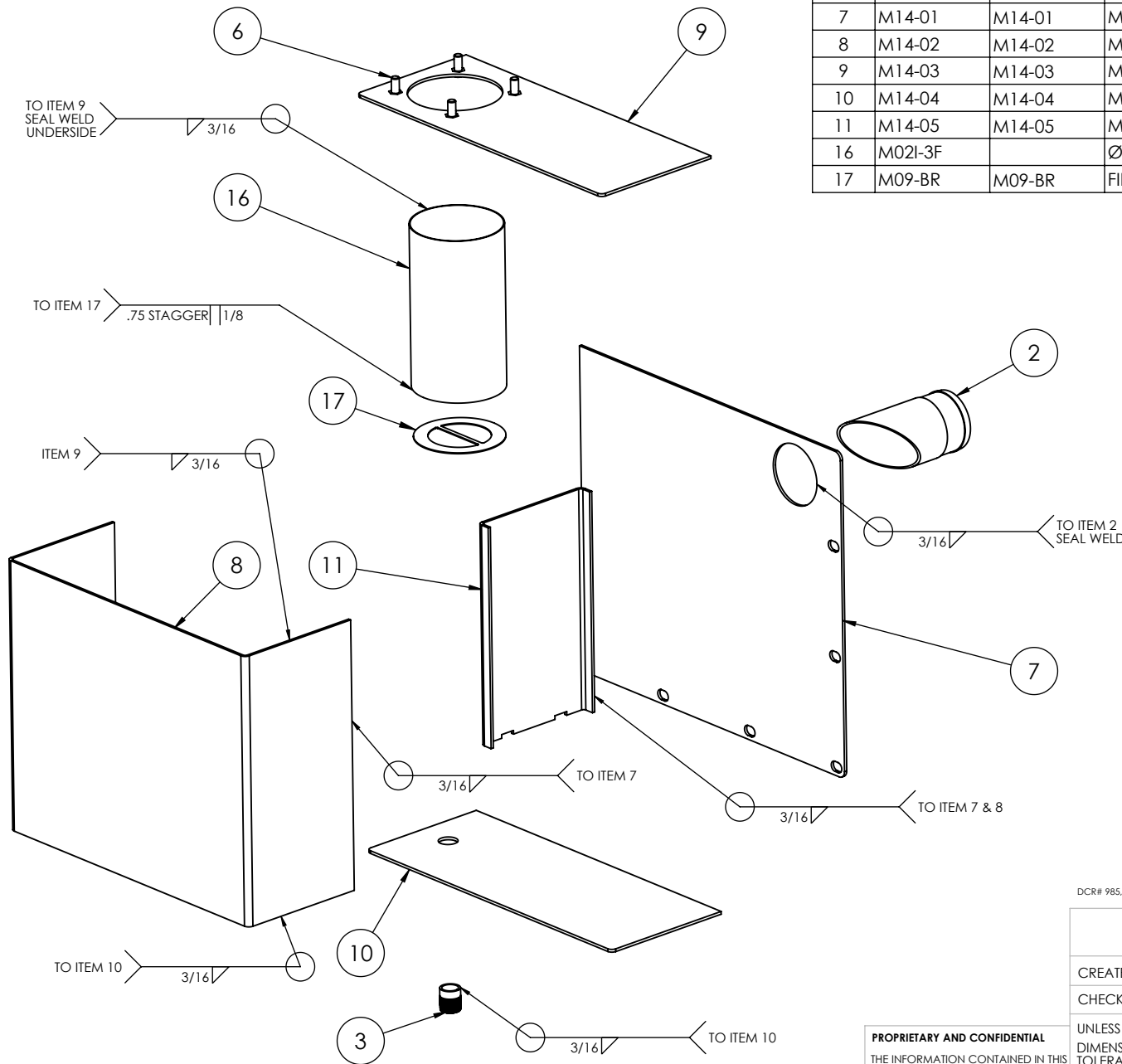
4

3

2


1

ITEM #	PART #	DRAWING #	DESCRIPTION	QTY.
2	M14-08	M14-08	Ø4" TUBE, 0.125" WALL	1
3	M09-A-03		Ø1" NPT HALF NIPPLE	1
6	101010177		STUD, 1/2"-13 NC, 1" LONG	4
7	M14-01	M14-01	M14 BACK PLATE, MS SHEET 3/16"	1
8	M14-02	M14-02	M14 OUTER BODY, MS SHEET 3/16"	1
9	M14-03	M14-03	M14 TOP PLATE, MS SHEET 3/16"	1
10	M14-04	M14-04	M14 BOTTOM PLATE, MS SHEET 3/16"	1
11	M14-05	M14-05	M14 BAFFLE PLATE 3/16"	1
16	M02I-3F		Ø6 X 11.25 X 16GA WALL THK, FILTER SLEEVE	1
17	M09-BR	M09-BR	FILTER BOTTOM RING 16 GA	1



**M14 MUFFLER
FABRICATION
PART # RF870-M14**

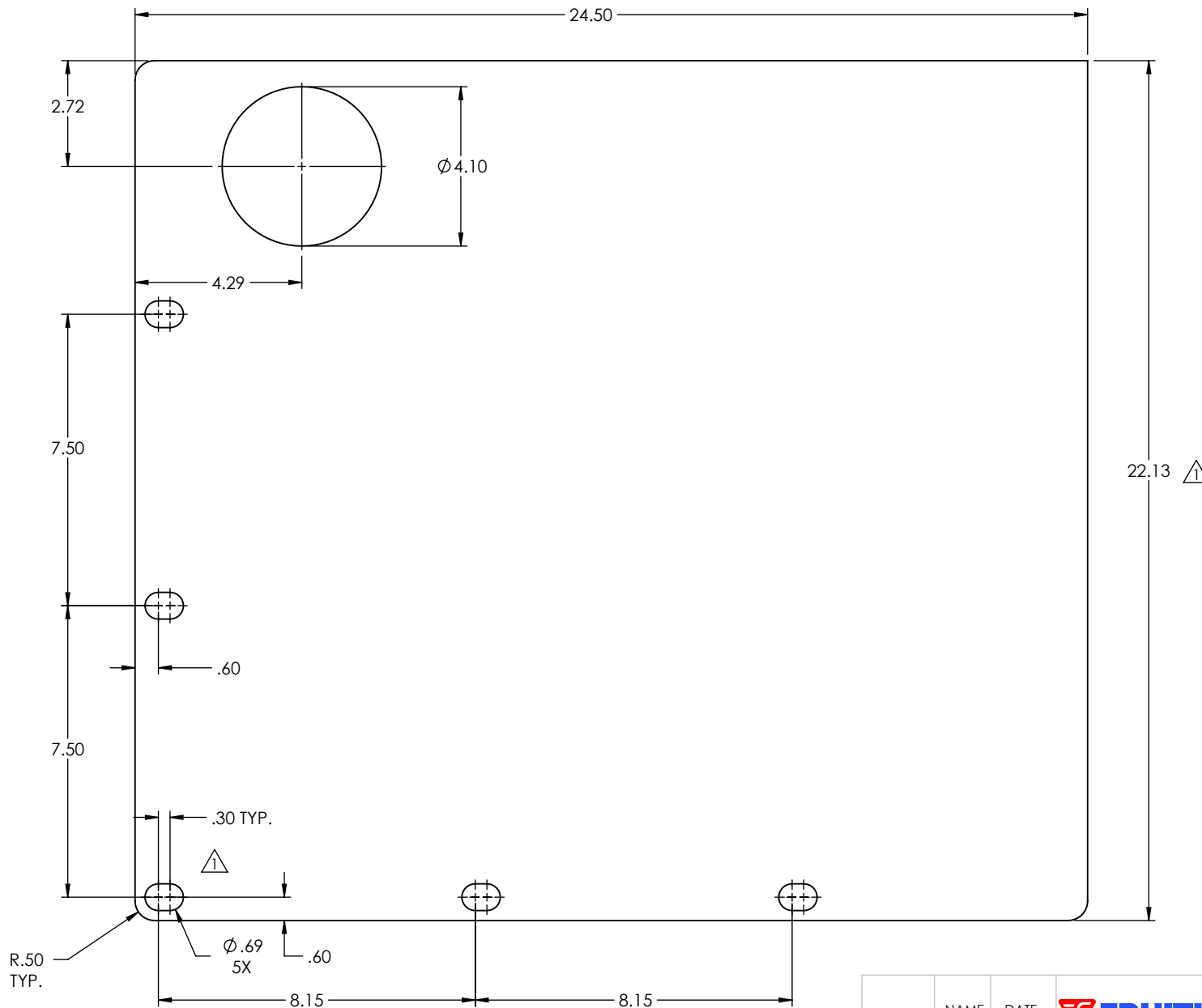
DCR# 985, REV. 1, UPDATED BOM, COPANY LOGO, TITLE, ITEMS# 7, 8 & 11, ADDED ITEM# 17 & WELD INSTR., 12/08/2022, Z.D.

	NAME	DATE	 FRUITLAND 324 Leaside Avenue Stoney Creek, Ontario, CANADA L8E 2N7 Phone: (905) 662-6552 Fax: (905) 662 9875
CREATED	Z.D.	12/07/2015	
CHECKED	K.A.	12/07/2015	TITLE:
UNLESS OTHERWISE SPECIFIED: DIMENSIONS ARE IN INCHES TOLERANCES: FRACTIONAL OR .X = ±.015 .XX = ±.010 .XXX = ±.005			M14 MUFFLER WELDMENT EXPLODED
MATERIAL			DWG. NO.
--			M14-EXP
SCALE: 1:8			REV
WEIGHT:--			1

PROPRIETARY AND CONFIDENTIAL
 THE INFORMATION CONTAINED IN THIS
 DRAWING IS THE SOLE PROPERTY OF
FRUITLAND MANUFACTURING. ANY
 REPRODUCTION IN PART OR AS A
 WHOLE WITHOUT THE WRITTEN
 PERMISSION OF FRUITLAND MFG. IS
 PROHIBITED.


PART # M14-01

MAT:MS SHEET
3/16" THK.



DCR# 985, REV. 1, UPDATED COMPANY LOGO, ADDED SLOTS, REMOVED CUT OF FOR BELT TENSIONER, INCREASED HEIGHT TO 22.125, 12/08/2022, Z.D.

PROPRIETARY AND CONFIDENTIAL
THE INFORMATION CONTAINED IN THIS DRAWING IS THE SOLE PROPERTY OF FRUITLAND MANUFACTURING. ANY REPRODUCTION IN PART OR AS A WHOLE WITHOUT THE WRITTEN PERMISSION OF FRUITLAND MFG. IS PROHIBITED.

	NAME	DATE	 324 Leaside Avenue Stoney Creek, Ontario, CANADA L8E 2N7 Phone: (905) 662-6552 Fax: (905) 662 9875	
CREATED	Z.D.	12/07/2015		
CHECKED	K.A.	12/07/2015	TITLE:	
UNLESS OTHERWISE SPECIFIED: DIMENSIONS ARE IN INCHES TOLERANCES: FRACTIONAL OR .X = ±.015 .XX = ±.010 .XXX = ±.005			M14 BACK PLATE	
MATERIAL			DWG. NO.	REV
--			M14-01	1
SCALE: 1:4			WEIGHT:--	

5

4

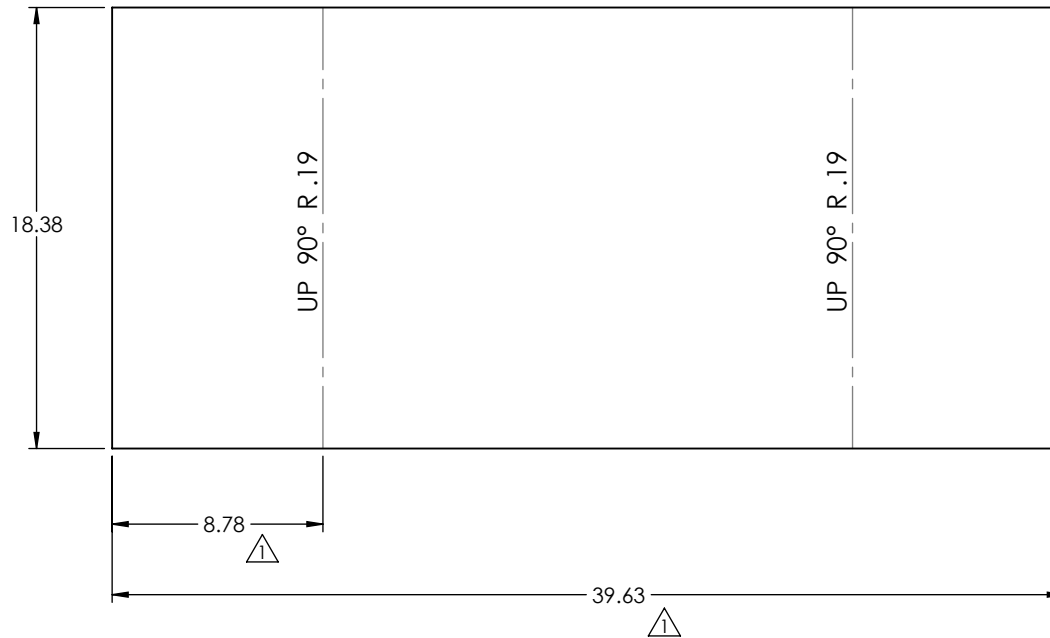
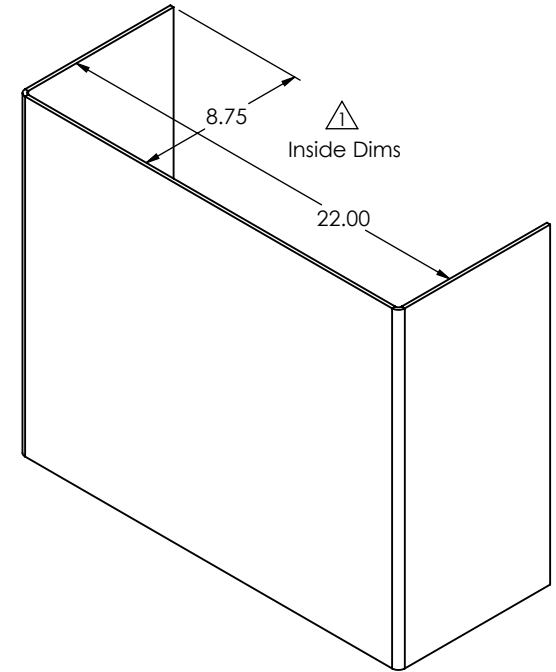
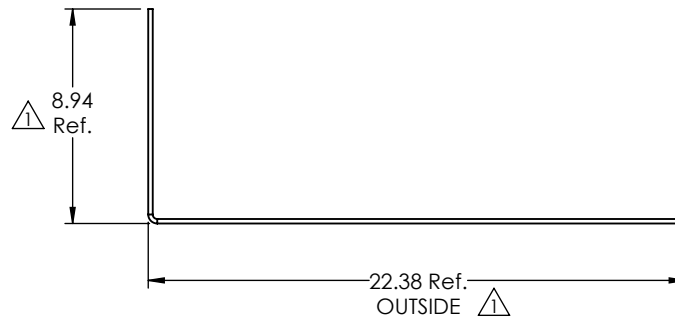
3


2

1

PART # M14-02

MS SHEET
3/16" THK

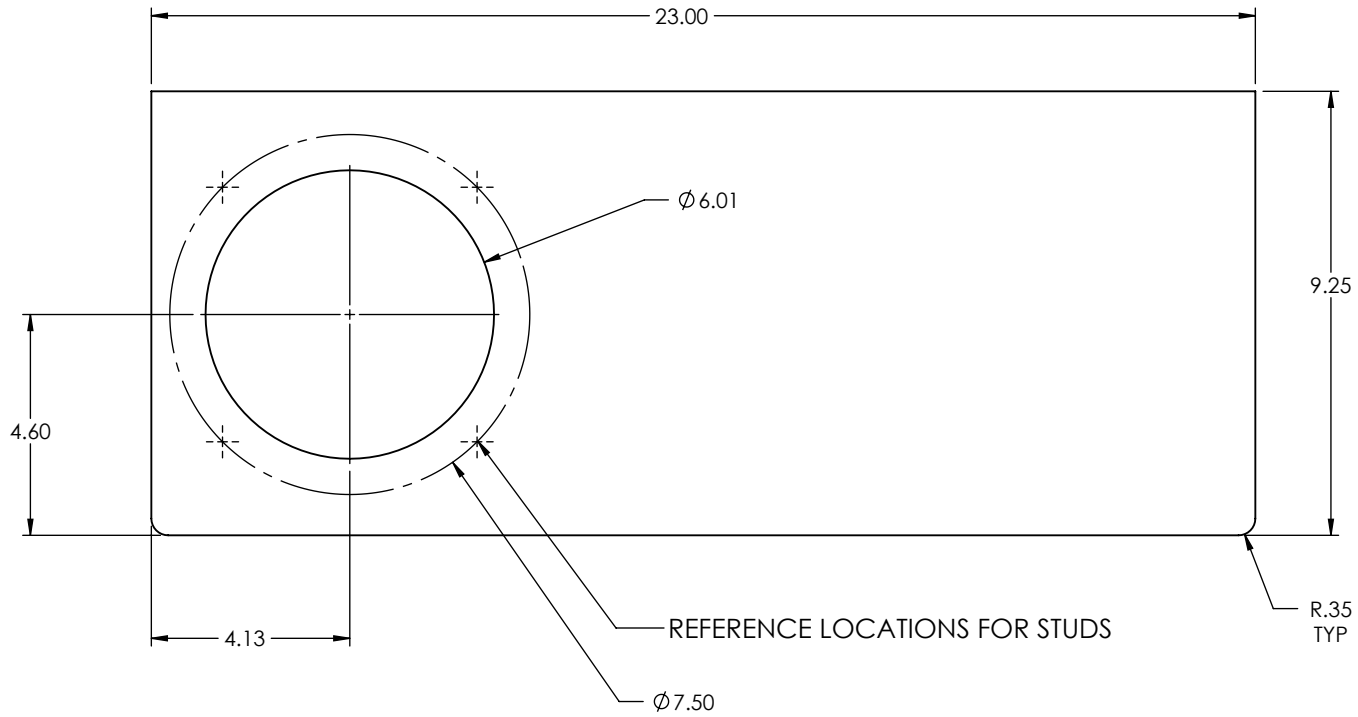



	NAME	DATE	 324 Leaside Avenue Stoney Creek, Ontario, CANADA L8E 2N7 Phone: (905) 662-6552 Fax: (905) 662 9875	
CREATED	Z.D.	12/07/2015		
CHECKED	K.A.	12/07/2015	TITLE: M14 OUTER BODY	
UNLESS OTHERWISE SPECIFIED: DIMENSIONS ARE IN INCHES TOLERANCES: FRACTIONAL OR .X = ±.015 .XX = ±.010 .XXX = ±.005			DWG. NO. M14-02	REV 1
MATERIAL	--	SCALE: 1:8	WEIGHT:--	

PROPRIETARY AND CONFIDENTIAL
 THE INFORMATION CONTAINED IN THIS DRAWING IS THE SOLE PROPERTY OF FRUITLAND MANUFACTURING. ANY REPRODUCTION IN PART OR AS A WHOLE WITHOUT THE WRITTEN PERMISSION OF FRUITLAND MFG. IS PROHIBITED.

PART # M14-03

MS SHEET
3/16" THK

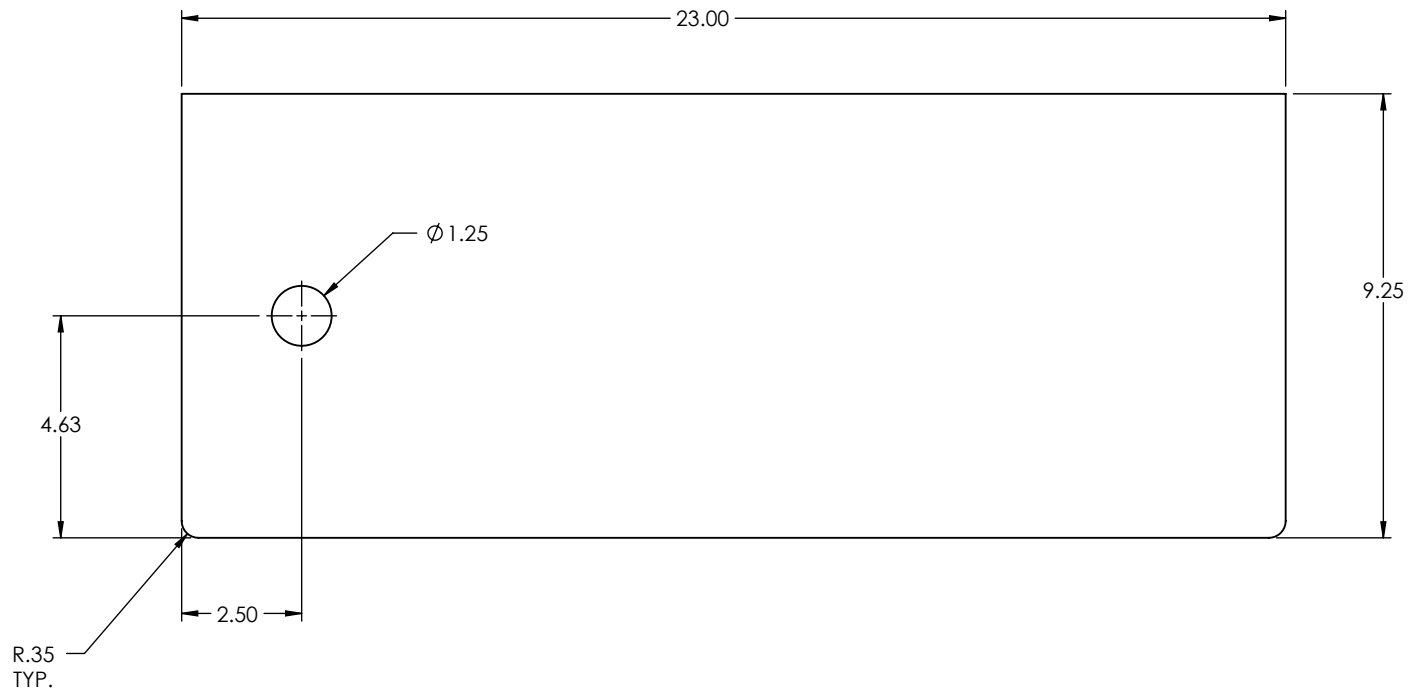


	NAME	DATE	 <small>324 Leaside Avenue Stoney Creek, Ontario, CANADA L8E 2N7 Phone: (905) 662-6552 Fax: (905) 662 9875</small>
CREATED	Z.D.	12/07/2015	
CHECKED			TITLE:
UNLESS OTHERWISE SPECIFIED: DIMENSIONS ARE IN INCHES TOLERANCES: FRACTIONAL OR .X = ±.015 .XX = ±.010 .XXX = ±.005			M14 TOP PLATE DWG. NO. M14-03
MATERIAL	--	SCALE: 1:4	WEIGHT:--
			REV 0


PROPRIETARY AND CONFIDENTIAL
 THE INFORMATION CONTAINED IN THIS DRAWING IS THE SOLE PROPERTY OF FRUITLAND MANUFACTURING. ANY REPRODUCTION IN PART OR AS A WHOLE WITHOUT THE WRITTEN PERMISSION OF FRUITLAND MFG. IS PROHIBITED.

PART # M14-04

MS SHEET
3/16" THK



PROPRIETARY AND CONFIDENTIAL
THE INFORMATION CONTAINED IN THIS DRAWING IS THE SOLE PROPERTY OF FRUITLAND MANUFACTURING. ANY REPRODUCTION IN PART OR AS A WHOLE WITHOUT THE WRITTEN PERMISSION OF FRUITLAND MFG. IS PROHIBITED.

	NAME	DATE	 324 Leaside Avenue Stoney Creek, Ontario, CANADA L8E 2N7 Phone: (905) 662-6552 Fax: (905) 662 9875	
CREATED	Z.D.	12/07/2015		
CHECKED			TITLE:	
UNLESS OTHERWISE SPECIFIED: DIMENSIONS ARE IN INCHES TOLERANCES: FRACTIONAL OR .X = ±.015 .XX = ±.010 .XXX = ±.005			M14 BOTTOM PLATE	
MATERIAL			DWG. NO.	REV
--			M14-04	0
			SCALE: 1:4	WEIGHT:--

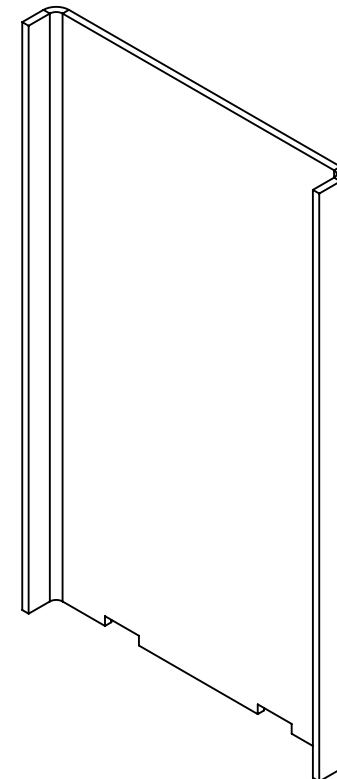
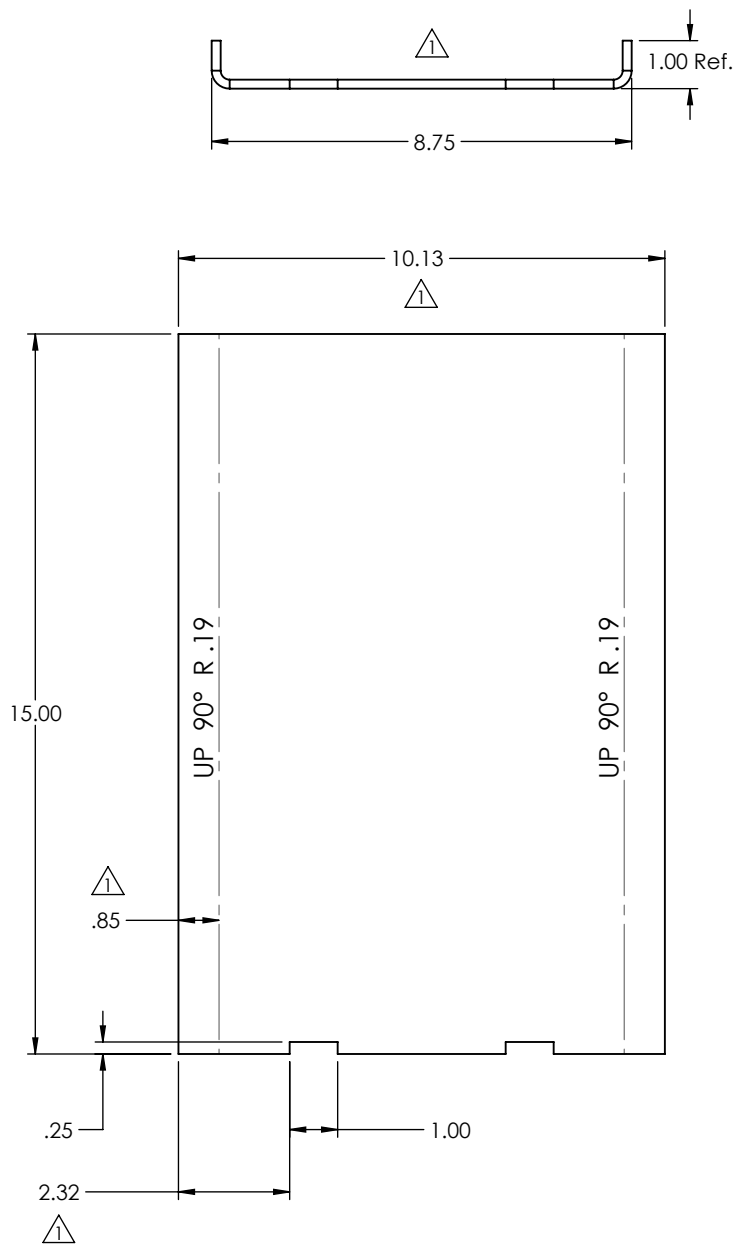
5

4


3

2

1



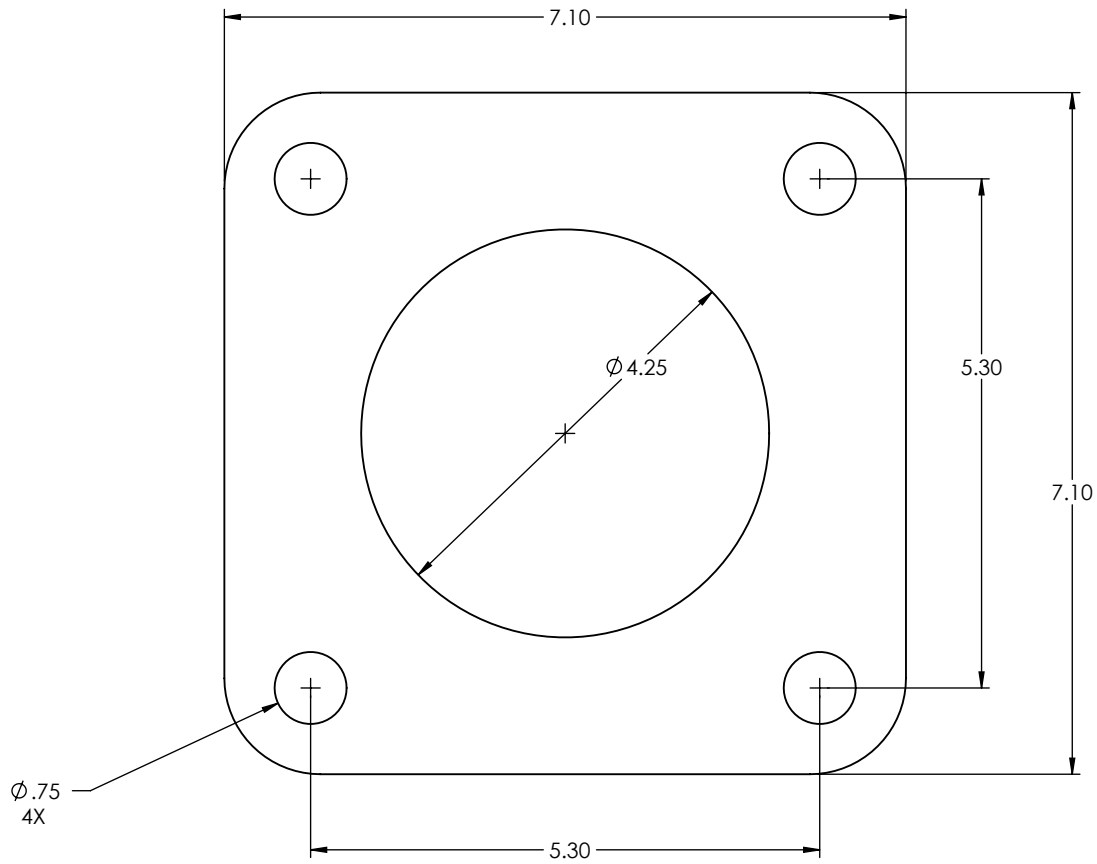
PART # M14-05
 MAT: 3/16" MS SHEET

	NAME	DATE	 324 Leaside Avenue Stoney Creek, Ontario, CANADA L8E 2N7 Phone: (905) 662-6552 Fax: (905) 662 9875	
CREATED	Z.D.	12/07/2015		
CHECKED	K.A.	12/07/2015	TITLE:	
UNLESS OTHERWISE SPECIFIED: DIMENSIONS ARE IN INCHES TOLERANCES: FRACTIONAL OR .X = ±.015 .XX = ±.010 .XXX = ±.005			M14 BAFFLE PLATE	
MATERIAL			DWG. NO.	REV
--			M14-05	1
SCALE: 1:4			WEIGHT:--	

PROPRIETARY AND CONFIDENTIAL
 THE INFORMATION CONTAINED IN THIS DRAWING IS THE SOLE PROPERTY OF FRUITLAND MANUFACTURING. ANY REPRODUCTION IN PART OR AS A WHOLE WITHOUT THE WRITTEN PERMISSION OF FRUITLAND MFG. IS PROHIBITED.


PART # M14-06

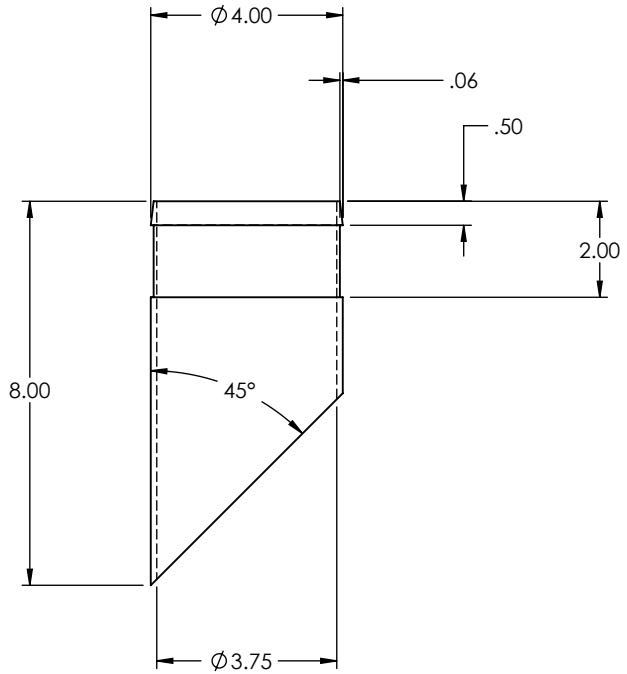
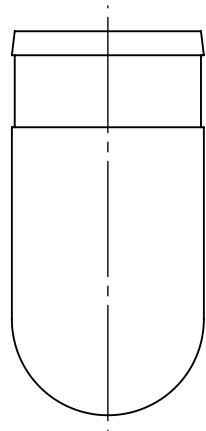
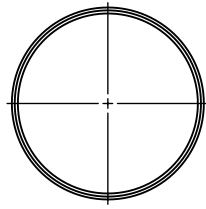
MS SHEET
1/4" THK



Ø.75
4X


PROPRIETARY AND CONFIDENTIAL
THE INFORMATION CONTAINED IN THIS DRAWING IS THE SOLE PROPERTY OF FRUITLAND MANUFACTURING. ANY REPRODUCTION IN PART OR AS A WHOLE WITHOUT THE WRITTEN PERMISSION OF FRUITLAND MFG. IS PROHIBITED.

	NAME	DATE	 324 Leaside Avenue Stoney Creek, Ontario, CANADA L8E 2N7 Phone: (905) 662-6552 Fax: (905) 662 9875	
CREATED	Z.D.	12/07/2015		
CHECKED			TITLE:	
UNLESS OTHERWISE SPECIFIED: DIMENSIONS ARE IN INCHES TOLERANCES: FRACTIONAL OR .X = ±.015 .XX = ±.010 .XXX = ±.005			M14 EXHAUST PLATE	
MATERIAL			DWG. NO.	REV
--			M14-06	0
			SCALE: 1:2	WEIGHT:--

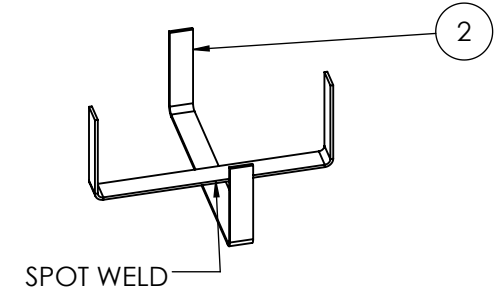
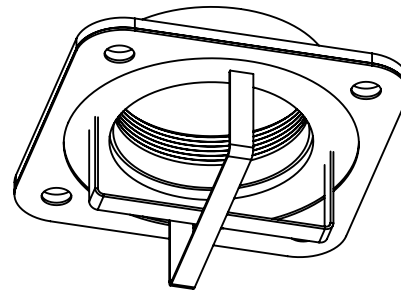
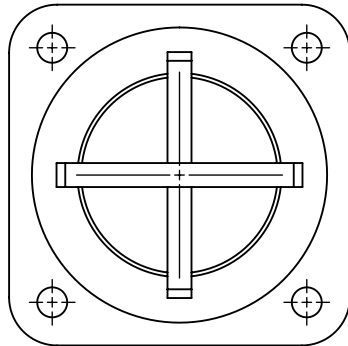
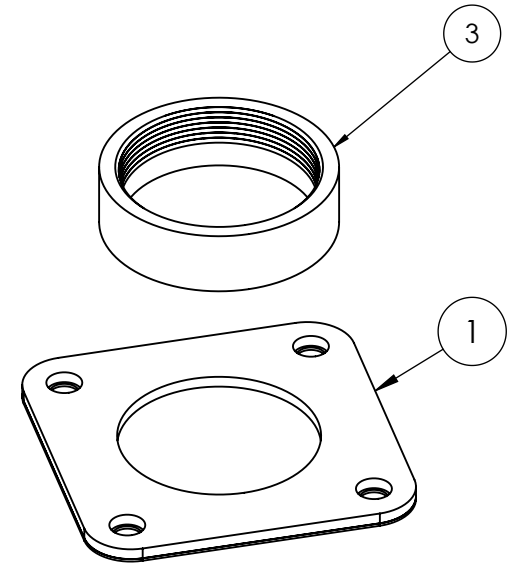
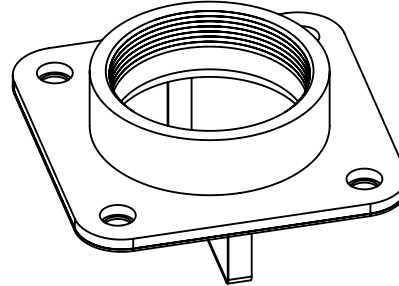
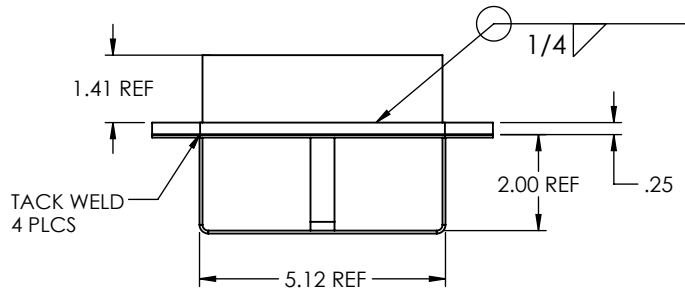


PART # M14-08
 MATERIAL: 4"O.D. TUBE 1/8" WALL

PROPRIETARY AND CONFIDENTIAL
 THE INFORMATION CONTAINED IN THIS DRAWING IS THE SOLE PROPERTY OF FRUITLAND MANUFACTURING. ANY REPRODUCTION IN PART OR AS A WHOLE WITHOUT THE WRITTEN PERMISSION OF FRUITLAND MFG. IS PROHIBITED.

	NAME	DATE	 <small>324 Leaside Avenue Stoney Creek, Ontario, CANADA L8E 2N7 Phone: (905) 662-6552 Fax: (905) 662 9875</small>	
CREATED	Z.D.	12/07/2015		
CHECKED			TITLE:	
UNLESS OTHERWISE SPECIFIED: DIMENSIONS ARE IN INCHES TOLERANCES: FRACTIONAL OR .X = ±.015 .XX = ±.010 .XXX = ±.005			M14 MUFFLER EXHAUST TUBE	
MATERIAL		--	DWG. NO. M14-08	REV 0
			SCALE: 1:4	WEIGHT:--

ITEM #	PART #	DRAWING #	DESCRIPTION	QTY
1	M14-06	M14-06	EXHAUST PLATE	1
2	M09-F2B		FLAT BAR 1/2" x 1/8", 9-1/4" LONG, FORMED AS SHOWN	2
3	4WSHC		Ø 4" NPT HALF COUPLING	1




FILTER CARTRIDGE EXHAUST PLATE 4" NPT

PART #: M14-06-4NPT

NOTE: REV. P0 CHANGED TO REV. 0, 12/08/2022, Z.D.
(E2 HAS INFO. THAT IS REV. 0 MADE 04/10/22)

PROPRIETARY AND CONFIDENTIAL
THE INFORMATION CONTAINED IN THIS DRAWING IS THE SOLE PROPERTY OF FRUITLAND MANUFACTURING. ANY REPRODUCTION IN PART OR AS A WHOLE WITHOUT THE WRITTEN PERMISSION OF FRUITLAND MFG. IS PROHIBITED.

	NAME	DATE	 324 Leaside Avenue Stoney Creek, Ontario, CANADA L8E 2N7 Phone: (905) 662-6552 Fax: (905) 662 9875	
CREATED	Z.D.	07/25/2018	TITLE: FILTER CARTRIDGE EXHAUST PLATE 4" NPT	
CHECKED	K.A.	07/25/2018		
UNLESS OTHERWISE SPECIFIED: DIMENSIONS ARE IN INCHES TOLERANCES: FRACTIONAL OR .X = ±.015 .XX = ±.010 .XXX = ±.005			DWG. NO. M14-06-4NPT	REV 0
MATERIAL	--	SCALE: 1:4	WEIGHT:--	

5

4

3

2

1