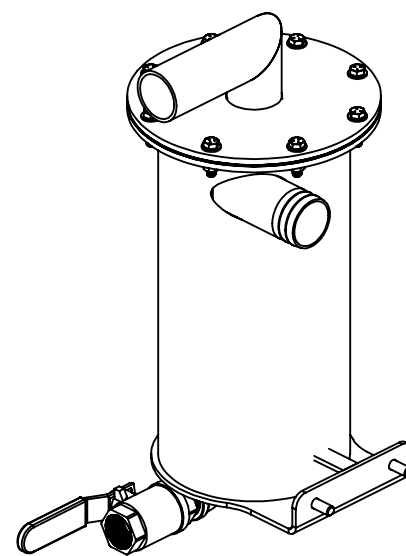
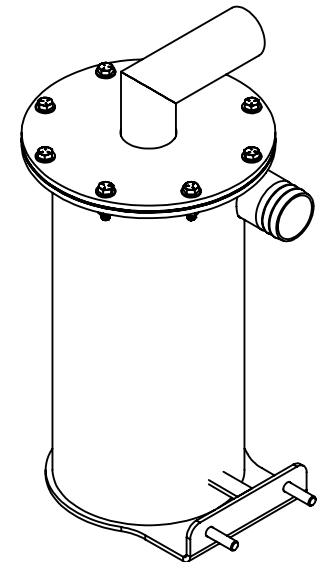


ITEM #	PART #	DESCRIPTION	QTY.
1R	MUW-207-010-CS	MUFFLER BODY ASSEMBLY (RIGHT HAND) - WELDED	1
1L	MUW-207-01L-CS	MUFFLER BODY ASSEMBLY (LEFT HAND) - WELDED	1
2	MUW-207-020-CS	MUFFLER LID ASSEMBLY - WELDED	1
3	MSG-207-010-CG	LID GASKET	1
4	M09-F1	STAINLESS STEEL FILTER MESH	1
5	FPE-100-011-CS	STREET ELBOW (MxF) - 1" NPT - STEEL	1
6	FPN-101-150-CS	PIPE NIPPLE - 1" NPT x 1-1/2" LONG - STEEL	1
7	FVB-102-BR	BALL VALVE - 1" NPT - BRASS	1
F1	HBI-310-125-HZP	5/16"-18 NC x 1-1/4" LONG HEX HEAD BOLT - ZINC PLATED	8
N1	HWF-310-000-ZP	5/16" WASHER - ZINC PLATED	16
W1	HNI-310-000-ZP	5/16"-18 NC HEX NUT - ZINC PLATED	8

M21 MUFFLER COMPLETE ASSEMBLY
RIGHT HAND MUFFLER
PART # MUA-207-180-CS



LEFT HAND MUFFLER
PART # MUA-207-18L-CS

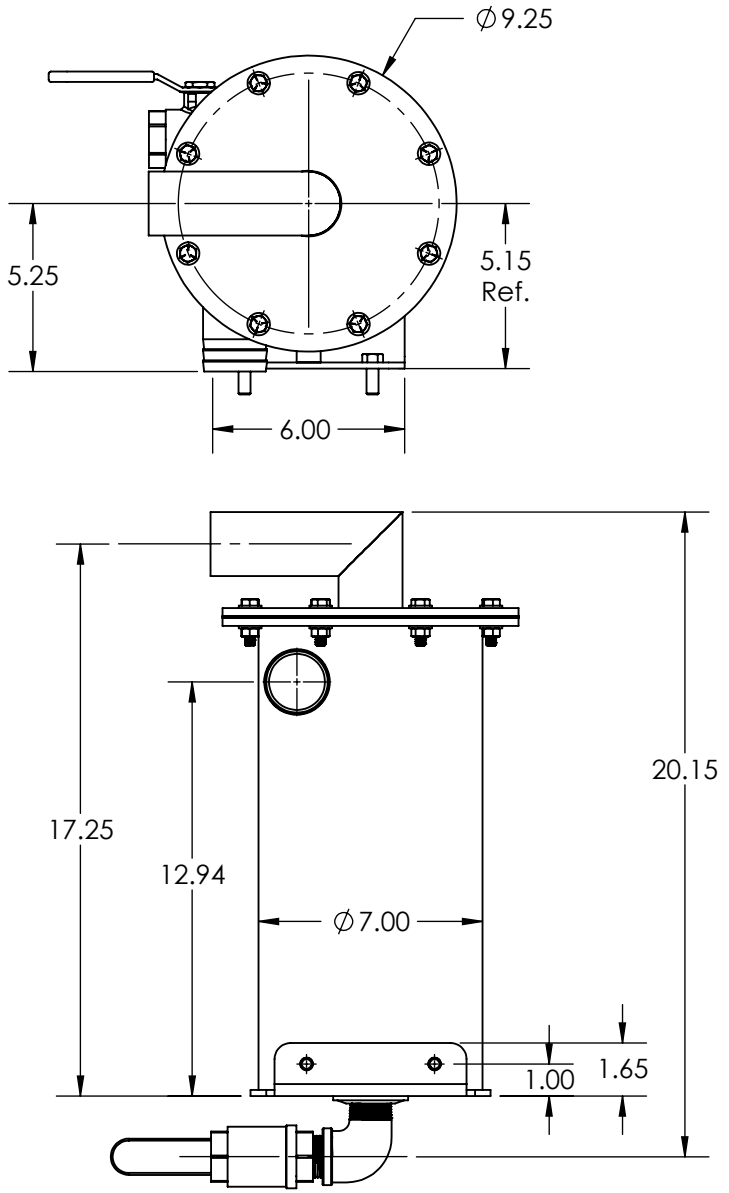


P1: NEW PART & DWG. #, MODEL & DIMS UPDATED AND BOM UPDATED, 02/15/2022, I.P.
P2: ADDED LH ORIENTATION & UPDATED BOM, -----03/24/2022, I.P.
P3: REMOVED BALL VALVE & ADDED PLUG, UPDATED LH MODEL & BOM, 05/09/2022, I.P.
P4: ADDED ITEMS 6-8 FOR DRAIN, ADDED BOLTS FOR MOUNTING, -----06/23/2022, I.P.

NAME	DATE	 324 Leaside Avenue Stoney Creek, Ontario, CANADA L8E 2N7 Phone: (905) 662-6552 Fax: (905) 662-9875	TITLE:
CREATED	I.P. 11/05/2021		M21 MUFFLER ASSEMBLY - BOM
CHECKED		DWG. NO.	REV
UNLESS OTHERWISE SPECIFIED: DIMENSIONS ARE IN INCHES TOLERANCES: FRACTIONAL OR .X = ±.015 .XX = ±.010 .XXX = ±.005		MUA-207-180-CS	P4
MATERIAL	--	SCALE: 1:7	WEIGHT:--
		SHEET 1 OF 2	

PROPRIETARY AND CONFIDENTIAL
THE INFORMATION CONTAINED IN THIS DRAWING IS THE SOLE PROPERTY OF FRUITLAND MANUFACTURING. ANY REPRODUCTION IN PART OR AS A WHOLE WITHOUT THE WRITTEN PERMISSION OF FRUITLAND MFG. IS PROHIBITED.

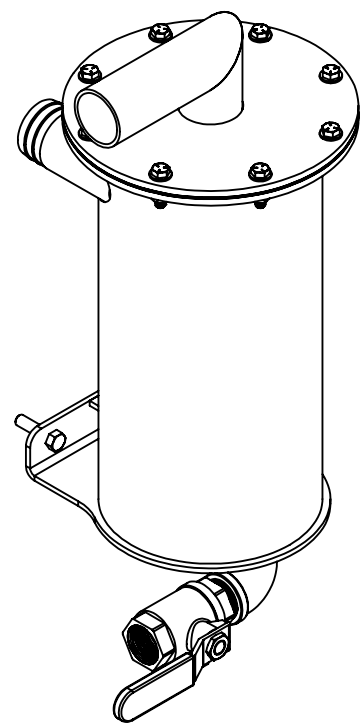
OLD PART & DWG. # M21



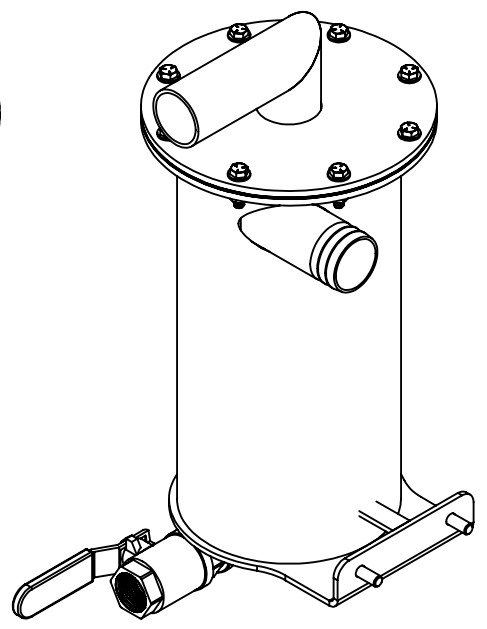
**RIGHT HAND DIMS SHOWN ABOVE,
FOR LEFT HAND, ROTATE BOTTOM PLATE 180°**

P1: NEW PART & DWG. #, MODEL & DIMS UPDATED AND BOM UPDATED, 02/15/2022, I.P.
P2: ADDED LH ORIENTATION & UPDATED BOM, 03/24/2022, I.P.
P3: REMOVED BALL VALVE & ADDED PLUG, UPDATED LH MODEL & BOM, 05/09/2022, I.P.
P4: ADDED ITEMS 6-8 FOR DRAIN, ADDED BOLTS FOR MOUNTING, 06/23/2022, I.P.

M21 MUFFLER COMPLETE ASSEMBLY




**LEFT HAND ORIENTATION
PART # MUA-207-18L-CS**



**RIGHT HAND ORIENTATION
PART # MUA-207-180-CS**

OLD PART & DWG. # M21
PROPRIETARY AND CONFIDENTIAL
THE INFORMATION CONTAINED IN THIS DRAWING IS THE SOLE PROPERTY OF **FRUITLAND MANUFACTURING**. ANY REPRODUCTION IN PART OR AS A WHOLE WITHOUT THE WRITTEN PERMISSION OF FRUITLAND MFG. IS PROHIBITED.

	NAME	DATE		324 Leaside Avenue Stoney Creek, Ontario, CANADA L8E 2N7 Phone: (905) 662-6552 Fax: (905) 662-9875	
CREATED	I.P.	11/05/2021		TITLE: M21 MUFFLER ASSEMBLY - DIMS	
CHECKED			DWG. NO. MUA-207-180-CS		
UNLESS OTHERWISE SPECIFIED: DIMENSIONS ARE IN INCHES TOLERANCES: FRACTIONAL OR .X = ±.015 .XX = ±.010 .XXX = ±.005			REV P3		
MATERIAL	--	SCALE: 1:6	WEIGHT:--	SHEET 2 OF 2	