

PART # RF500-S09L

DCR # 486, REV. 1 UPDATED PART # AND TITLE BLOCK, ----- 2/19/13, K.A.
 DCR # 542, REV. 2 BARB SHAPE CHANGED, DETAIL A, ----- 2/13/14, K.A.
 DCR # 770, REV. 3 UPDATED PART # AND REMOVED SHEET #, 4/30/18/, Z.D.
 DCR # 937, REV. 4 DESIGN REVISED, ----- 1/20/22, K.A.

PROPRIETARY AND CONFIDENTIAL
 THE INFORMATION CONTAINED IN THIS DRAWING IS THE SOLE PROPERTY OF FRUITLAND MANUFACTURING. ANY REPRODUCTION IN PART OR AS A WHOLE WITHOUT THE WRITTEN PERMISSION OF FRUITLAND MFG. IS PROHIBITED.

NAME	DATE	FRUITLAND		324 Leaside Avenue Stoney Creek, Ontario, CANADA L8E 2N7 Phone: (905) 662-6552 Fax: (905) 662-9875	
CREATED	K.A. 03/15/2011	TITLE: RF500-S09L CUSTOMER DIMS			
CHECKED		DWG. NO. RF500-S09L-C		REV 4	
UNLESS OTHERWISE SPECIFIED: DIMENSIONS ARE IN INCHES TOLERANCES: FRACTIONAL OR .X = ±.015 .XX = ±.010 .XXX = ±.005		MATERIAL		SCALE: 1:6 WEIGHT:--	

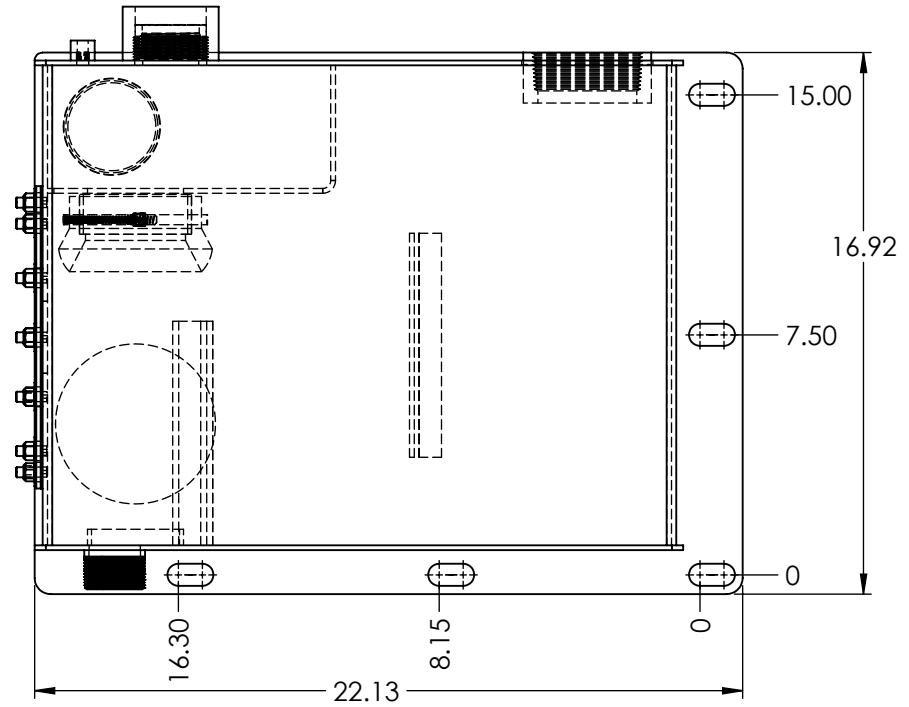
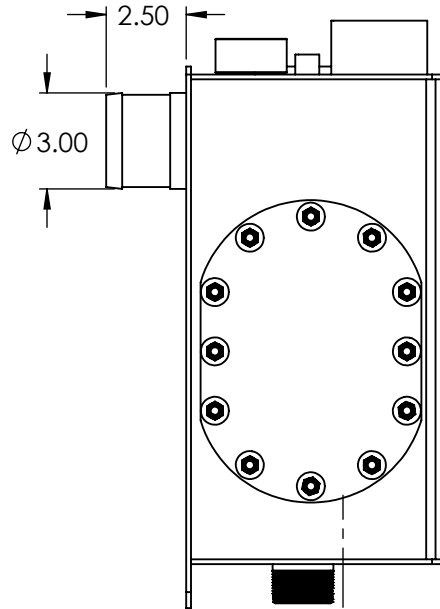
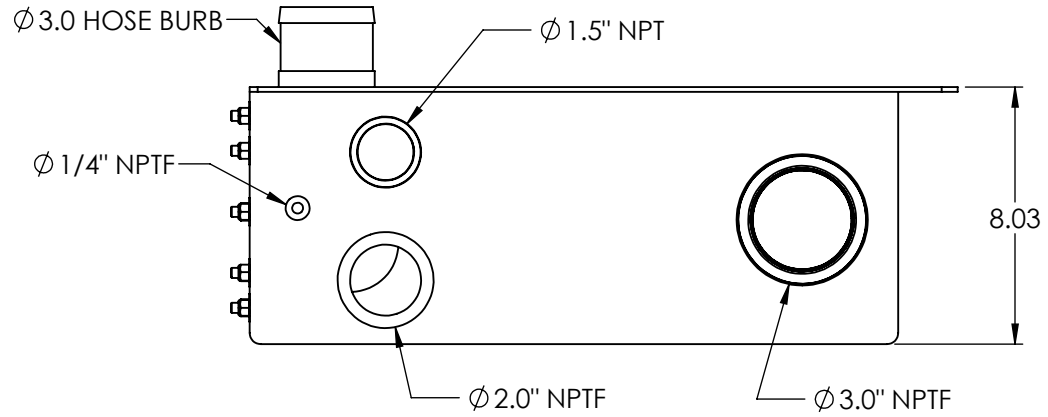
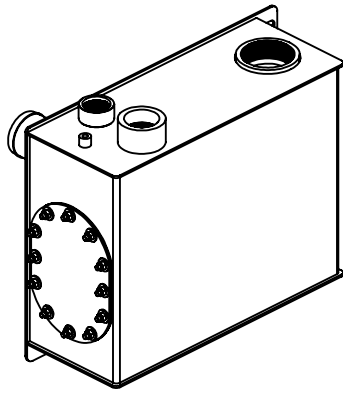
5

4

3


2

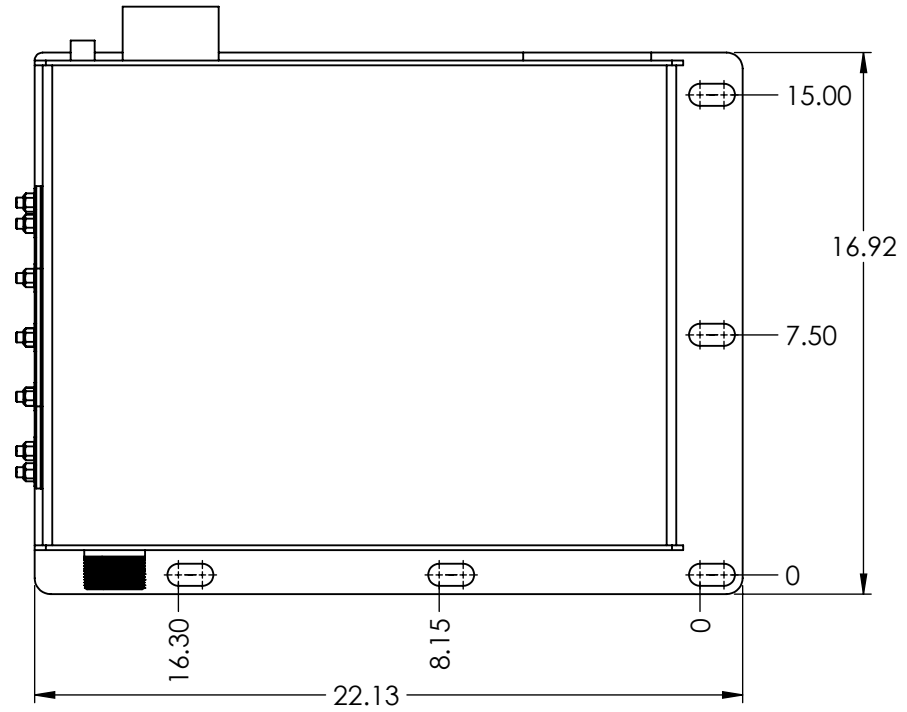
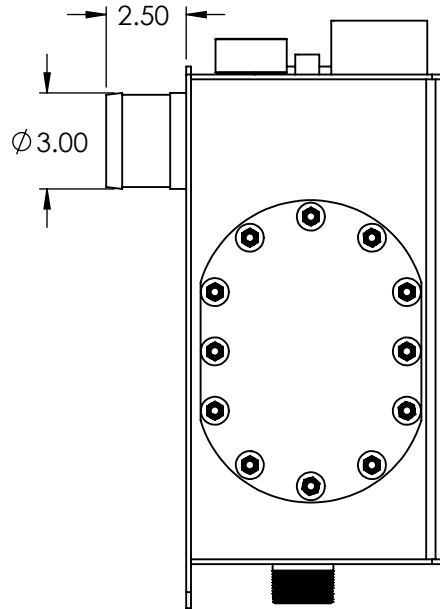
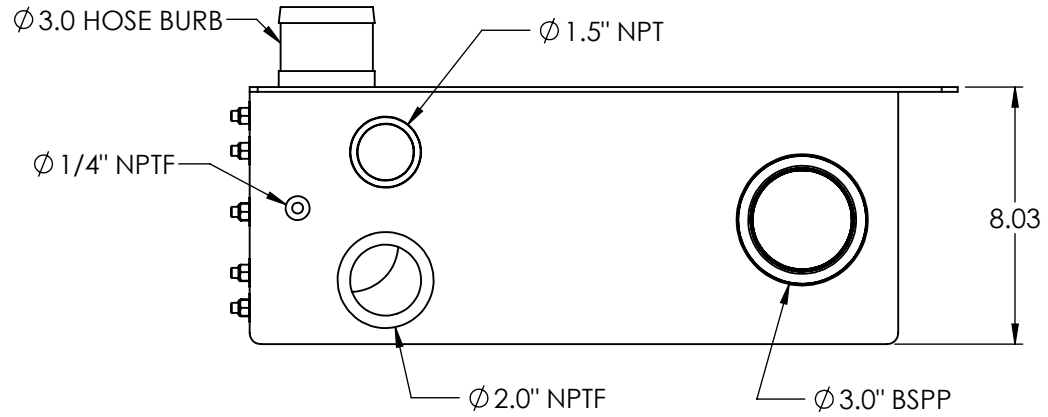
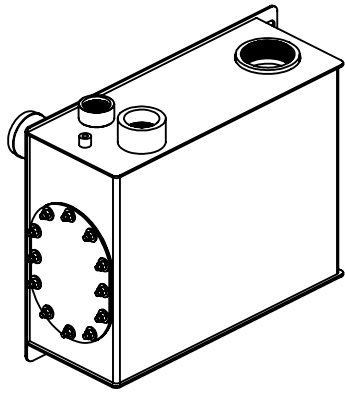
1



PART # RF500-S09R


PROPRIETARY AND CONFIDENTIAL
 THE INFORMATION CONTAINED IN THIS DRAWING IS THE SOLE PROPERTY OF FRUITLAND TOOL AND MFG. ANY REPRODUCTION IN PART OR AS A WHOLE WITHOUT THE WRITTEN PERMISSION OF FRUITLAND TOOL AND MFG. IS PROHIBITED.

	NAME	DATE	 324 Leaside Avenue Stoney Creek, Ontario, CANADA L5E 2N7 Phone: (905) 662-6552 Fax: (905) 662 9875	
DRAWN	Z.D.	04/22/2022	TITLE: RF500-S09R CUSTOMER DIMS	
CHECKED	K.A.	04/22/2022		
UNLESS OTHERWISE SPECIFIED: DIMENSIONS ARE IN INCHES TOLERANCES: FRACTIONAL OR .X = ±.015 .XX = ±.010 .XXX = ±.005			DWG. NO. RF500-S09R-C	REV 0
MATERIAL	--		SCALE: 1:6	WEIGHT: --



PART # RF500-S09RE

PROPRIETARY AND CONFIDENTIAL
 THE INFORMATION CONTAINED IN THIS DRAWING IS THE SOLE PROPERTY OF FRUITLAND TOOL AND MFG. ANY REPRODUCTION IN PART OR AS A WHOLE WITHOUT THE WRITTEN PERMISSION OF FRUITLAND TOOL AND MFG. IS PROHIBITED.

	NAME	DATE	 <small>324 Leaside Avenue Stoney Creek, Ontario, CANADA L8E 2N7 Phone: (905) 662-6552 Fax: (905) 662 9875</small>	
DRAWN	Z.D.	04/22/2022	TITLE: RF500-S09RE CUSTOMER DIMS EUROPEAN STYLE	
CHECKED	K.A.	04/22/2022		
UNLESS OTHERWISE SPECIFIED: DIMENSIONS ARE IN INCHES TOLERANCES: FRACTIONAL OR .X = ±.015 .XX = ±.010 .XXX = ±.005			DWG. NO. RF500-S09RE-C	
MATERIAL	--		SCALE: 1:6	WEIGHT:--
			REV	0