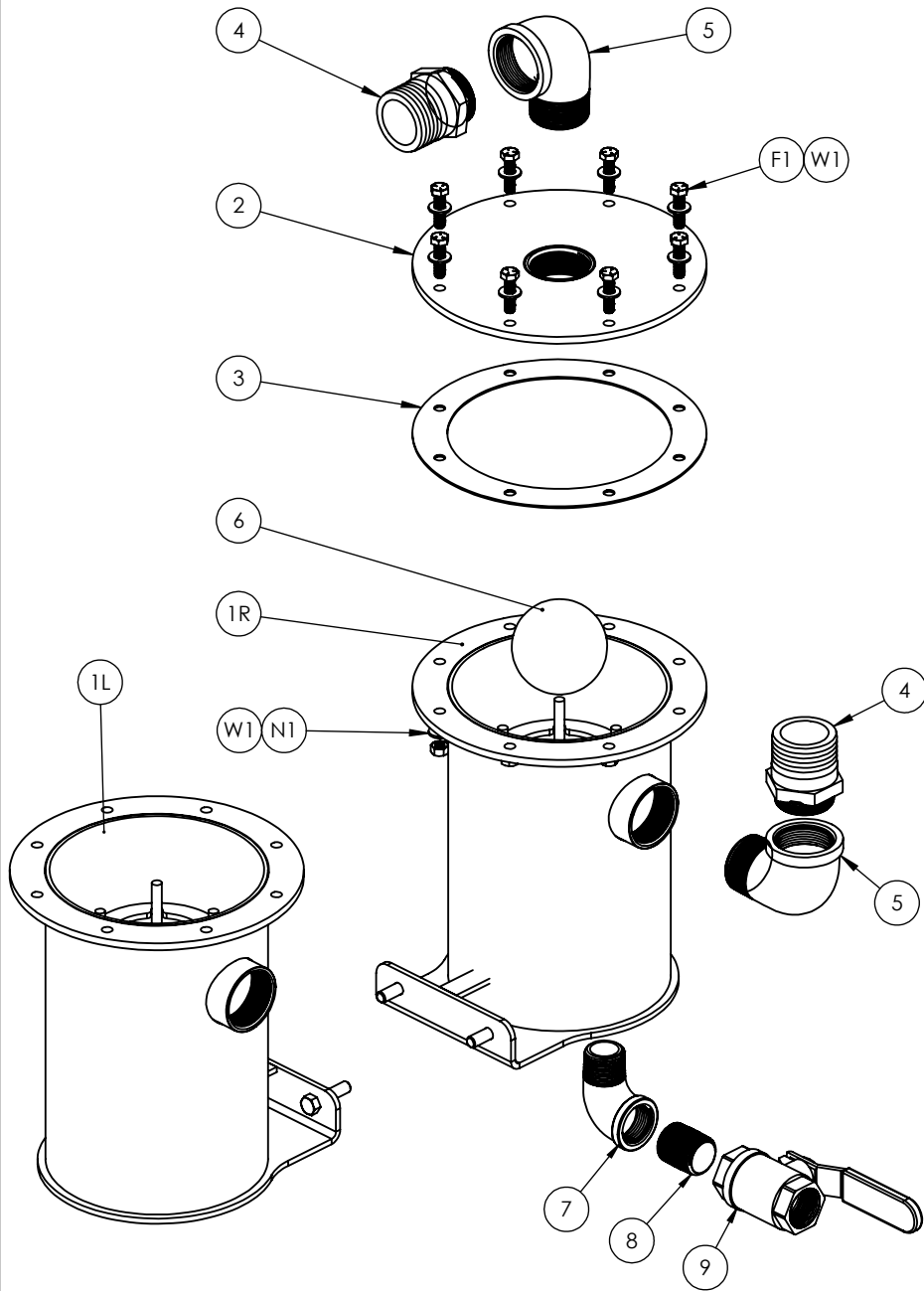
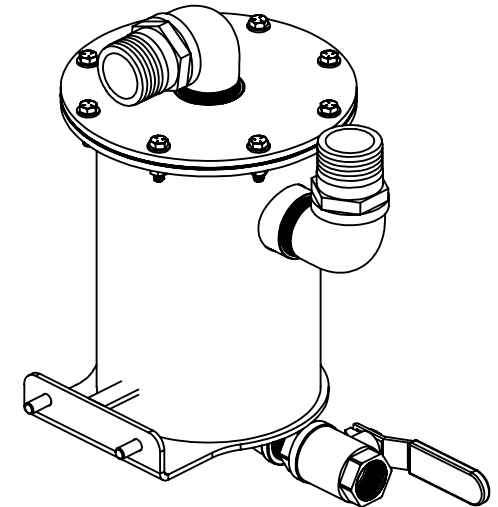
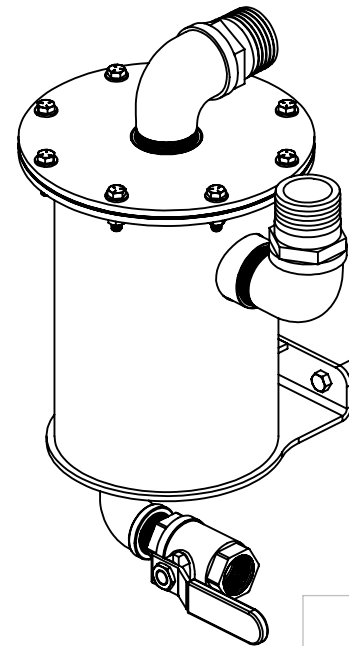


ITEM #	PART #	DESCRIPTION	QTY.
1R	SSW-207-010-CS	SECONDARY BODY ASSEMBLY - RIGHT HAND	1
1L	SSW-207-01L-CS	SECONDARY BODY ASSEMBLY - LEFT HAND	1
2	SSW-207-020-CS	SECONDARY LID ASSEMBLY	1
3	MSG-207-010-CG	LID GASKET	1
4	FPA-151-205-CS	1-1/2" NPT - Ø2" HOSE BARB CONNECTOR	2
5	FPE-150-011-CS	90° STREET ELBOW (MxF) - 1-1/2" NPT - STEEL	2
6	SSX-207-060-RB	3" RUBBER FLOAT BALL	1
7	FPE-100-011-CS	90° STREET ELBOW (MxF) - 1" NPT - STEEL	1
8	FPN-101-150-CS	PIPE NIPPE - 1" NPT x 1-1/2" LONG - STEEL	1
9	FVB-102-BR	BALL VALVE - 1" NPT	1
F1	HBI-310-125-HZP	HEX BOLT - 5/16"-18 NC x 1-1/4" LONG - ZINC PLATED	8
N1	HWF-310-000-ZP	FLAT WASHER - 5/16" - ZINC PLATED	16
W1	HNI-310-000-ZP	HEX NUT - 5/16"-18 NC - ZINC PLATED	8

S21 SECONDARY COMPLETE ASSEMBLY

LH PART # SSA-207-14L-CS

RH PART # SSA-207-140-CS



P1: ADDED PART # FOR ITEM #8, 12/22/2021, I.P.
P2: NEW PART & DWG. #, UPDATED BOM & DIMS, 02/15/2022, I.P.
P3: ADDED LEFT HAND MODEL & UPDATED BOM, 03/24/2022, I.P.
P4: REMOVED BALL VALVE & ADDED PLUG, UPDATED BOM, 05/09/2022, I.P.
P5: ADDED ITEMS 8-10, WELDED 3/8"-16 HEX BOLTS, UPDATED BOM, 06/23/2022, I.P.

OLD PART # S21
OLD DWG. # S21-BOM-DIMS

PROPRIETARY AND CONFIDENTIAL
THE INFORMATION CONTAINED IN THIS DRAWING IS THE SOLE PROPERTY OF FRUITLAND MANUFACTURING. ANY REPRODUCTION IN PART OR AS A WHOLE WITHOUT THE WRITTEN PERMISSION OF FRUITLAND MFG. IS PROHIBITED.

NAME	DATE	FRUITLAND		324 Leaside Avenue Stoney Creek, Ontario, CANADA L8E 2N7 Phone: (905) 662-6552 Fax: (905) 662-9875	
CREATED	I.P.	11/05/2021	TITLE: S21 SECONDARY ASSEMBLY - BOM LH & RH ORIENTATIONS		
CHECKED			DWG. NO. SSA-207-140-CS		
UNLESS OTHERWISE SPECIFIED: DIMENSIONS ARE IN INCHES TOLERANCES: FRACTIONAL OR .X = ±.015 .XX = ±.010 .XXX = ±.005			REV P5		
MATERIAL	--	SCALE: 1:6	WEIGHT:--	SHEET 1 OF 2	

5

4

3

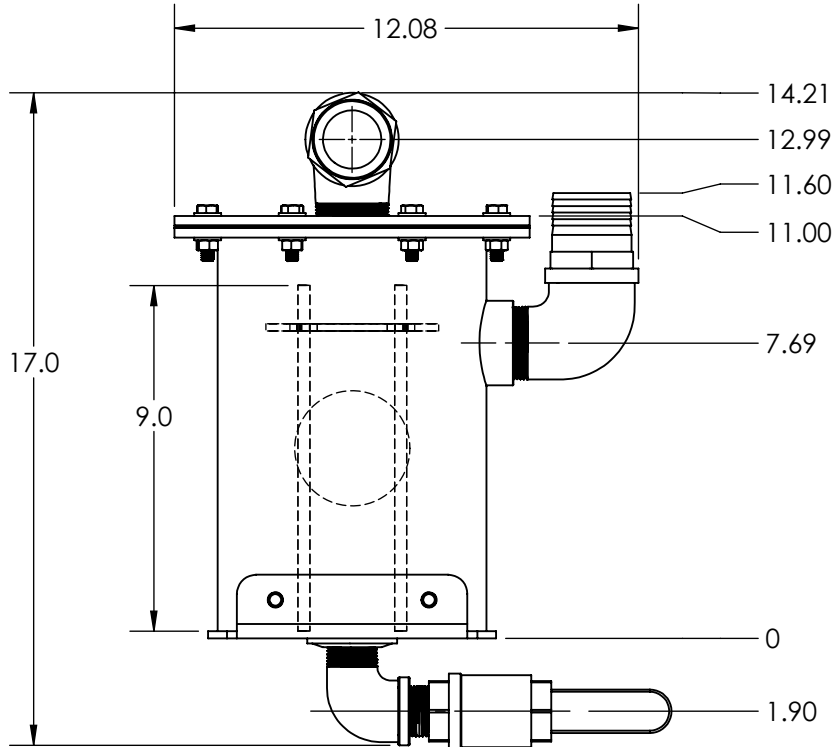
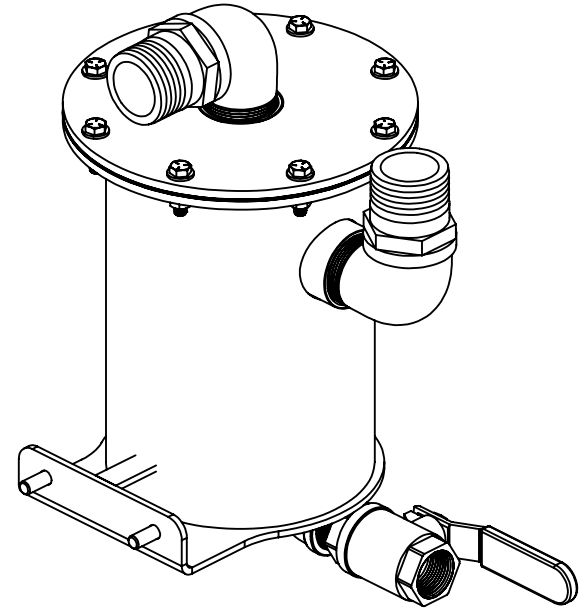
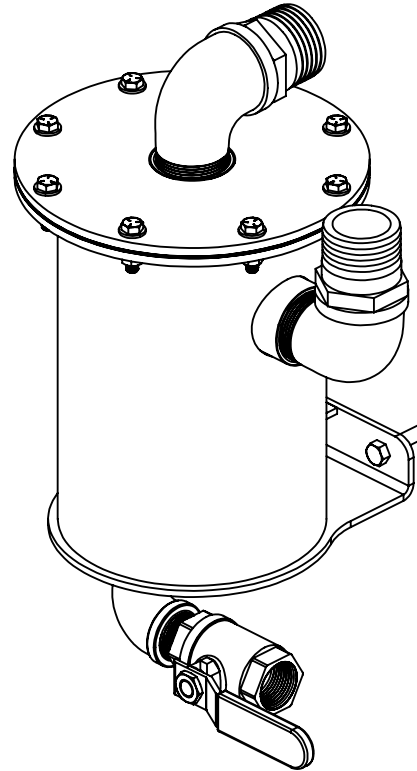
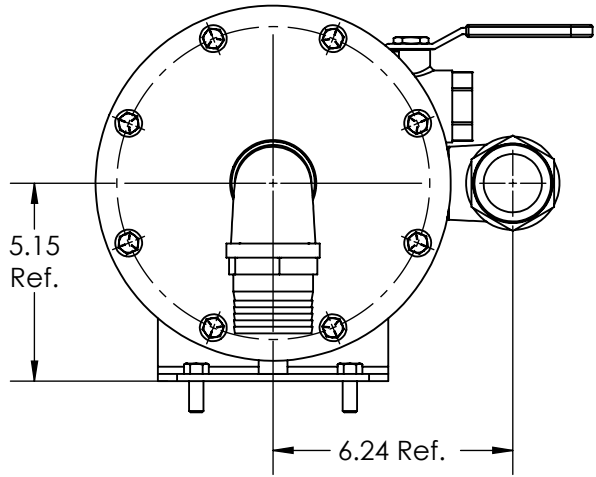
2

1

S21 SECONDARY COMPLETE ASSEMBLY

**LEFT HAND ASSEMBLY
PART # SSA-207-14L-CS**

**RIGHT HAND ASSEMBLY
PART # SSA-207-140-CS**




RIGHT HAND DIMS SHOWN
FOR LEFT HAND, ROTATE BOTTOM PLATE 180°

- P1: ADDED PART # FOR ITEM #8, 12/22/2021, I.P.
- P2: NEW PART & DWG. #, UPDATED BOM & DIMS, 02/15/2022, I.P.
- P3: ADDED LEFT HAND MODEL & UPDATED BOM, 03/24/2022, I.P.
- P4: REMOVED BALL VALVE & ADDED PLUG, UPDATED BOM, 05/09/2022, I.P.
- P5: ADDED ITEMS 8-10, WELDED 3/8"-16 HEX BOLTS, UPDATED BOM, 06/23/2022, I.P.

OLD PART # S21
OLD DWG. # S21-BOM-DIMS

PROPRIETARY AND CONFIDENTIAL
THE INFORMATION CONTAINED IN THIS DRAWING IS THE SOLE PROPERTY OF FRUITLAND MANUFACTURING. ANY REPRODUCTION IN PART OR AS A WHOLE WITHOUT THE WRITTEN PERMISSION OF FRUITLAND MFG. IS PROHIBITED.

	NAME	DATE	 324 Leaside Avenue Stoney Creek, Ontario, CANADA L8E 2N7 Phone: (905) 662-6552 Fax: (905) 662 9875
CREATED	I.P.	11/05/2021	
CHECKED			TITLE:
UNLESS OTHERWISE SPECIFIED: DIMENSIONS ARE IN INCHES TOLERANCES: FRACTIONAL OR .X = ±.015 .XX = ±.010 .XXX = ±.005			S21 SECONDARY ASSEMBLY - DIMS DWG. NO. SSA-207-140-CS SCALE: 1:5 WEIGHT:-- SHEET 2 OF 2
MATERIAL	--		REV P5