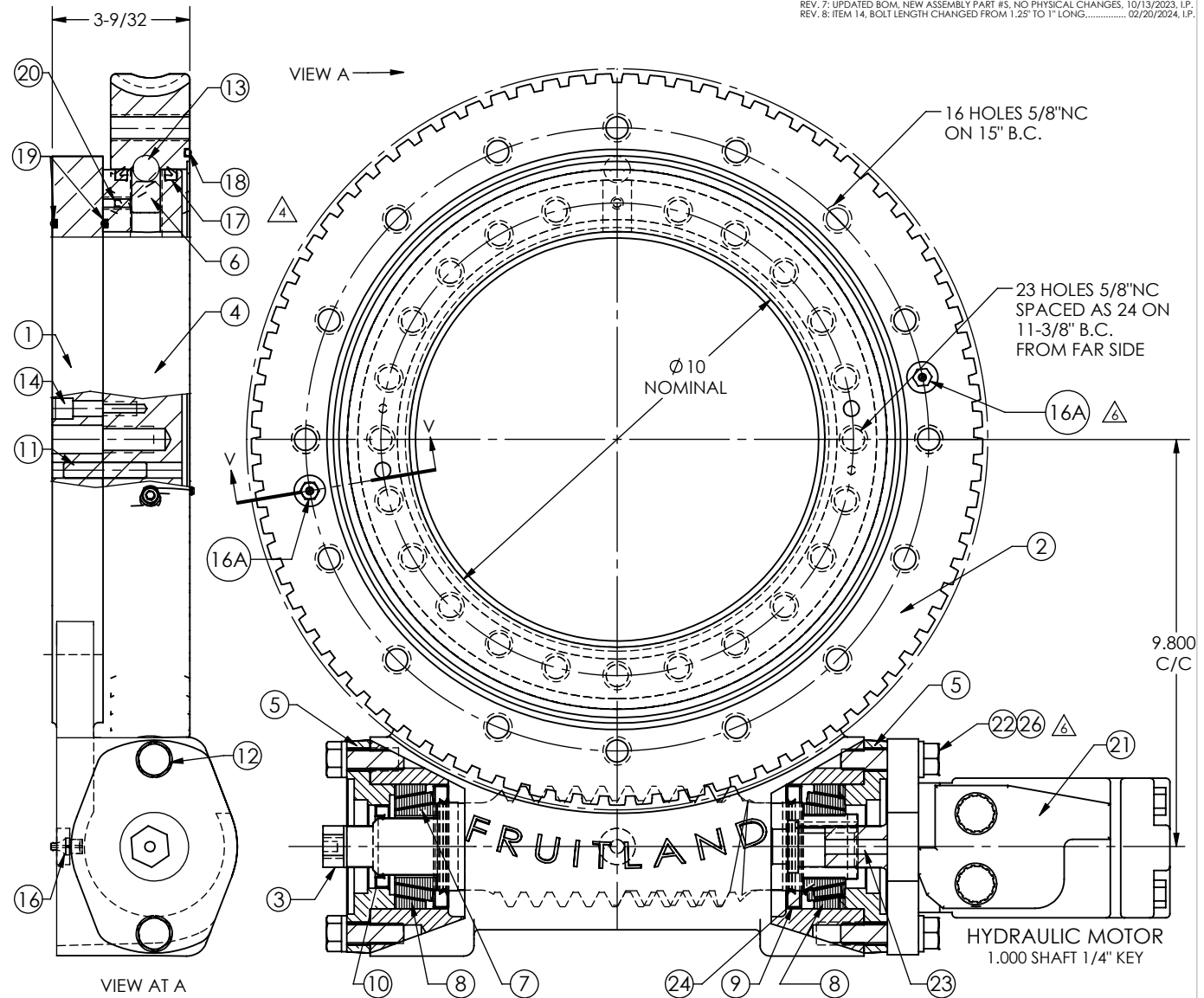


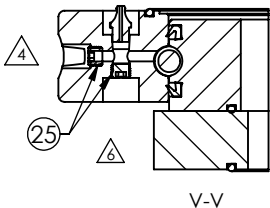
#	PART #	DESCRIPTION	QTY.
1	WDS10-B	BASE - DWG.#WDS10-B	1
2	WDS10OR	WORM GEAR OUTER RING - DWG.#WDS10OR	1
3	WDS10-W	WORM - DWG.#WDS10-W	1
4	WDS10IR	INNER RING - DWG.#WDS10IR	1
5	WDS-EP	END PLATES - DWG.#WDS-EP	2
6	BLS-75	BALL LOAD SCREW - 3/4" NF x 3/4" LONG - FLAT POINT	1
7	WDS-2793	2720 BEARING CONE - NTN 4T-2793 (IDLE SIDE)	1
8	WDS-2720	BEARING CUP - NTN 4T-2720	2
9	BSW-00A-09	OIL SEAL LG. - CR 21163	2
10	BSW-00A-10	OIL SEAL SM. - CR 13568	1
11	HPI-38D-200	DOWEL PIN - Ø3/8" x 2" LONG	2
12	HBI-500-152	HEX BOLT - 1/2" NC x 1-1/2" LONG - Y.Z.P.	2(4)
13	BSB-625	BALLS - Ø5/8" HARD CHR. STEEL	65
14	HBI-250-106	S.H.C.S. - 1/4" NC x 1" LONG - B.O.	2
15	-	SHIELD (OPTIONAL)	1
16	BSX-125-B	GREASE NIPPLES - 1/8" NPT (W/ BALL)	1
16A	BSX-125-HCS	GREASE NIPPLES - 1/8" NPT (W/O BALL)	2
17	WDS10-BWS	WIPER SEAL - INNER RING	2
18	WDS10-19-OR	O-RING TOP - BUNA-N .156 ACT. SEC. 43.38	1
19	WDS10-20-OR	O-RING BOTTOM - BUNA-N .156 ACT. SEC. 32.64	2
20	HBI-25S-383	SET SCREW - 1/4" NC x 3/8" LONG	1
21	WDS-HM	HYDR. MOTOR - WHITE RS10040100	1
22	HBI-500-202	HEX BOLT - 1/2" NC x 2" LONG - Y.Z.P.	2
23	SQ1/4X1KEY	KEY - 1/4" SQ X 1" LG CRS	1
24	WDS-2789	BEARING CONE - NTN 4T-2789 (DRIVER SIDE)	1
25	FPP-011-HCS	PIPE PLUG - 1/8" NPT - HEX DRIVE	4
26	HWI-500-22	LOCKWASHER - 1/2" - Y.Z.P.	4

FOR REFERENCE ONLY



DCR#251, REV 1: BOLT LENGTH CHANGED 7 GR & ZP ADDED..... 05/02/05 HANS  
 DCR#264, REV 2: BOLT LENGTH WAS 1-1/2" LONG..... 10/31/05 ERIC  
 DCR#452, REV 3: BOLT LENGTH WAS 1-1/2" LONG..... 06/14/12 ERIC  
 DCR#621, REV 4: ITEM 17 WIPER SEALS REPLACED 10"WD-18. GREASE HOLES UPDATED. 10/9/2018 K.A.  
 DCR#861, REV 5: ITEM 7, 8, 24 PART #'S UPDATED..... 03/12/2020 K.A.  
 DCR#1002, REV 6: UPDATED BOM, UPDATED ITEMS 7, 9, 10, 16, 16A, 25, 26..... 02/03/2023, I.P.  
 REV. 7: UPDATED BOM, NEW ASSEMBLY PART #'S, NO PHYSICAL CHANGES, 10/13/2023, I.P.  
 REV. 8: ITEM 14, BOLT LENGTH CHANGED FROM 1.25" TO 1" LONG..... 02/20/2024, I.P.

**10" WORM DRIVE ASSEMBLY**  
 PART #S  
 ASSY NO HYDR. MOTOR: WDS10  
 ASSY WITH HYDR. MOTOR: WDS10-HM



MAX. CAPACITY 30.3 kNm  
 (22,350 FT-LB)

FILE#: 10WDASSY

**PROPRIETARY AND CONFIDENTIAL**  
 THE INFORMATION CONTAINED IN THIS DRAWING IS THE SOLE PROPERTY OF FRUITLAND MANUFACTURING. ANY REPRODUCTION IN PART OR AS A WHOLE WITHOUT THE WRITTEN PERMISSION OF FRUITLAND MFG. IS PROHIBITED.

NAME	DATE	FRUITLAND	324 Leaside Avenue Stoney Creek, Ontario, CANADA L8E 2N7 Phone: (905) 662-6552 Fax: (905) 662-9875	
CREATED	F.H. 01/22/2013		TITLE:	10" WORM DRIVE ROTATING SEAL
CHECKED	K.A. 01/22/2013	DWG. NO.	WDS10	REV
UNLESS OTHERWISE SPECIFIED: DIMENSIONS ARE IN INCHES TOLERANCES: FRACTIONAL OR .X = ±.015 .XX = ±.010 .XXX = ±.005		SCALE: 1:8	WEIGHT:--	8
MATERIAL	--			