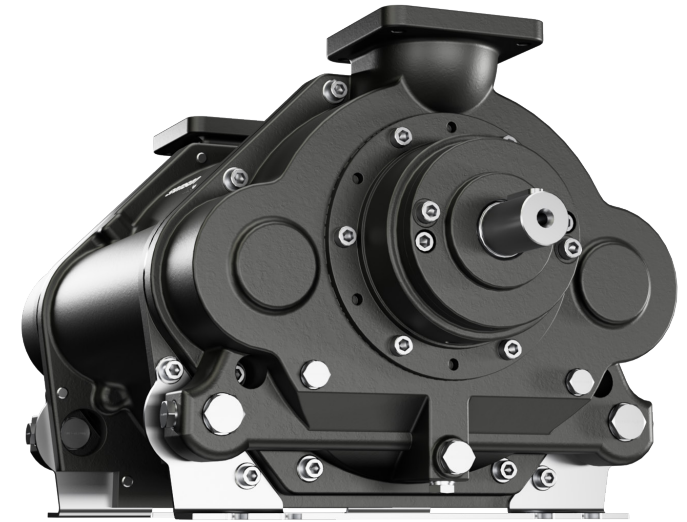




# FRUITLAND

## FL1700

Fruitland Truck Master pumps, powered by Samson Pumps, are the only safe option for pumping hydrocarbons and other flammable or hazardous materials due to the impeller operating in an intermediate fluid. These pumps also offer high airflow with very low noise levels.



### FEATURES

- Low Noise
- High Resistance to Corrosion
- Zero Emissions
- Zero Risk of Spark
- Low Maintenance
- Integrated Water Systems

### APPLICATION PERFORMANCE

The Truck Master 1700 pump performs best with 4" hoses. 2" and 3" hoses can be used with reduced RPMs, and hoses larger than 4" can be used, but this is recommended for fluids only. The truck friendly design makes the pump very easy to install on any type of chassis.

- Max RPM: 1800
- CFM: 953
- BHP Requirement at Max Pressure: 88
- Water Consumption: 1 GAL/h at 68°F & 80% Vacuum
- Weight: 540 Lbs
- 22Hg Continuous Operation



