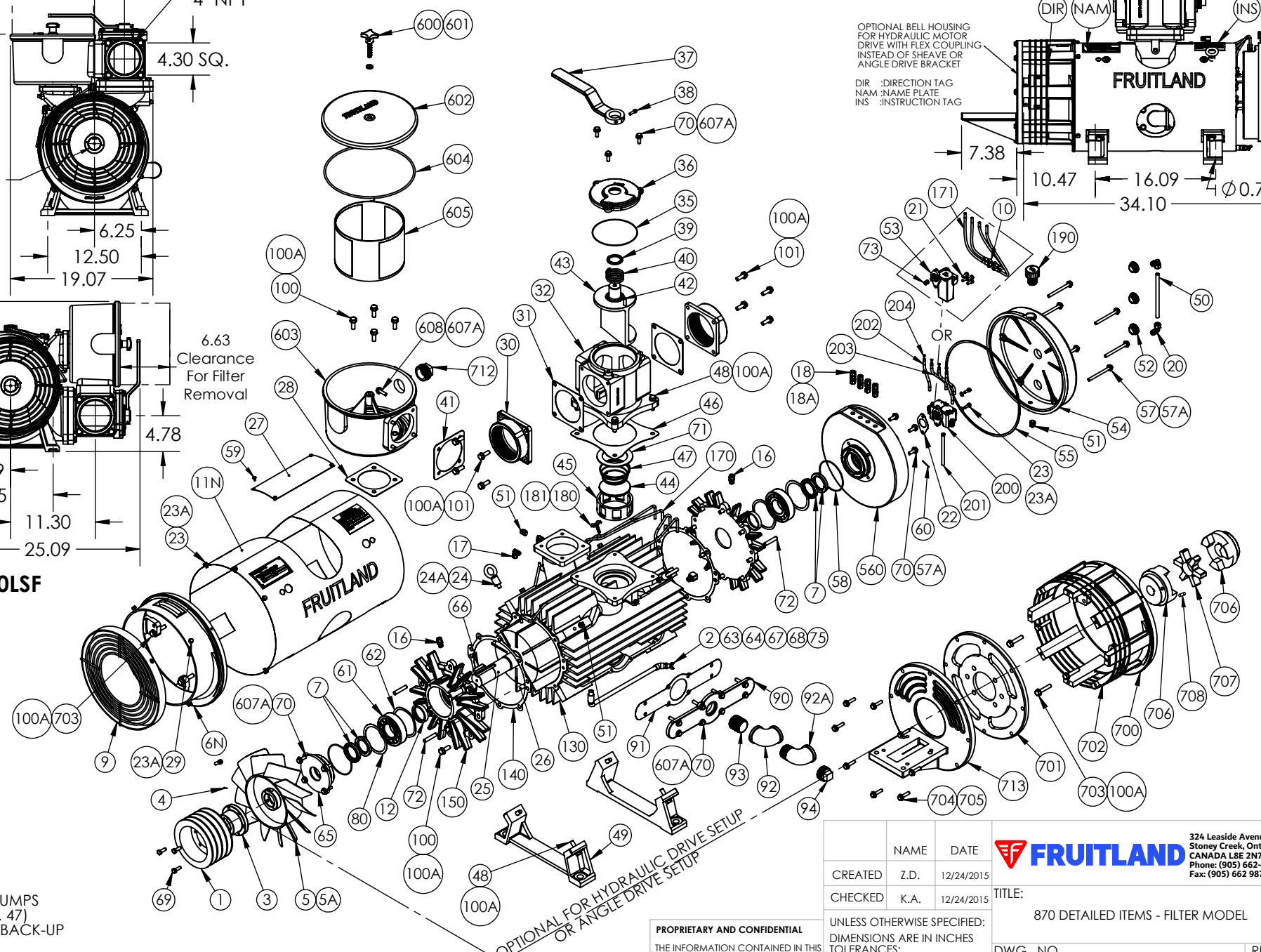
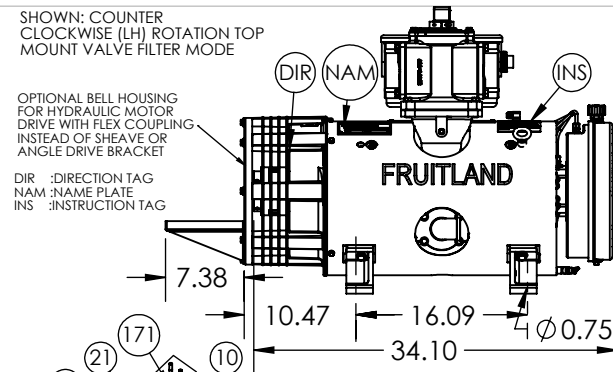
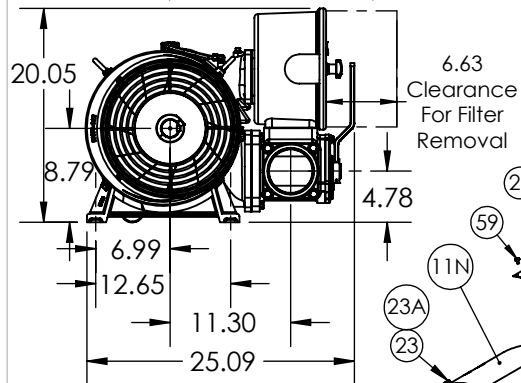
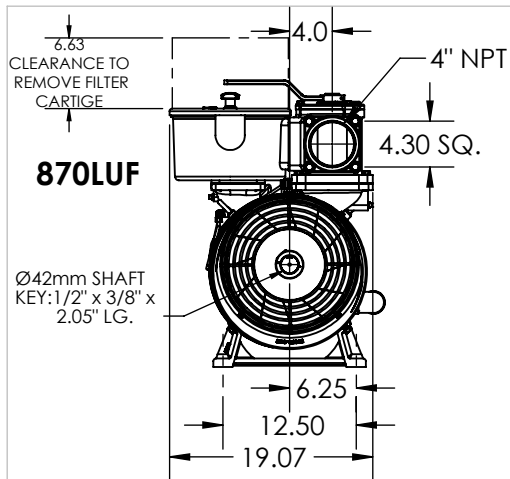


870 (LUF, LUFH, LUFA, LSFH, LSFA)




ON UPRIGHT PUMPS
NO SPRING (IT. 47)
IS USED IN THE BACK-UP
VALVE ASSY.

IMPORTANT: WHEN ORDERING SPARE
PARTS ALWAYS SPECIFY MODEL AND
SERIAL NUMBER OF PUMP

OPTIONAL FOR HYDRAULIC DRIVE SETUP
OR ANGLE DRIVE SETUP

PROPRIETARY AND CONFIDENTIAL
THE INFORMATION CONTAINED IN THIS
DRAWING IS THE SOLE PROPERTY OF
FRUITLAND MANUFACTURING. ANY
REPRODUCTION IN PART OR AS A
WHOLE WITHOUT THE WRITTEN
PERMISSION OF FRUITLAND MFG. IS
PROHIBITED.

NAME	DATE	 <p>324 Leaside Avenue Stoney Creek, Ontario, CANADA L8E 2N7 Phone: (905) 662-6552 Fax: (905) 662-9875</p>
CREATED	Z.D. 12/24/2015	
CHECKED	K.A. 12/24/2015	TITLE:
		870 DETAILED ITEMS - FILTER MODEL
		DWG. NO.
		870-BOM
		REV
		5
MATERIAL	--	SCALE: 1:10
		WEIGHT:--
		SHEET 1 OF 2


ITEM #	PART #	DESCRIPTION	QTY.
1	RF500-38	6" SHEAVE - 4 GROOVE, B-SECTION	1
2	FVD-021-BR	DRAIN PLUG / VALVE - 1/4" NPT	1
3	SK 42	SHEAVE BUSHING - SK 42mm	1
4	HBI-311-100	SHCS - 5/16"-24 NF x 1" LONG - PLAIN	1
5	RF500-33L *	FAN ASSY - L.H.	1
5A	RF500-33R *	FAN ASSY - R.H.	1
6N	RF870-34N	FAN SHROUD (NEW STYLE)	1
7	RF500-225A	OIL SEAL	4
9	RF500-30	FAN GUARD	1
10	250-6	SOLDER FITTING FOR OIL PUMP OUTLET	4
11N	RF870-46U *	870 HOUSING SHROUD - LUF STYLE	1
12	RF500-8	COLLAR (FINISH GRIND)	2
16	FCS-011-250-BR	STRAIGHT COMPRESSION FITTING - 1/8" NPT x 1/4" TUBE - BRASS	2
17	FCE-011-250-BR	ELBOW COMPRESSION FITTING - 1/8" NPT x 1/4" TUBE - BRASS	2
18	FCD-011-250-BR	BULKHEAD FITTING - 1/8" NPT x 1/4" TUBE	4
18A	U-SEAL	U-SEAL WASHER (OIL TANK BULKHEAD)	4
20	FCE-021-380-BR	SIGHT TUBE ELBOW FITTING **	2
21	250-6A	HOLLOW BOLT, M6 (FOR OIL PUMP)	4
22	RF500-27	GASKET - OIL PUMP	1
23	HBM-060-161	HEX BOLT - M6 x 16mm LONG - Z.P.	7
23A	HWM-060-21	LOCKWASHER - M6 - Z.P.	11
24	HBI-10E-001	EYEBOLT, M10	2
24A	RF500-37S	EYEBOLT SPACER	2
25	RF870-4	870 ROTOR ASSEMBLY	1
26	RF870-6A	VANES FOR 870	8
27	RF870-47	SHROUD PLATE - 10" x 4"	1
28	RF870-61	GASKET - PUMP INTAKE	1
29	HBM-060-101	HEX BOLT - M6 x 10mm LONG - Z.P.	4
30	RF870-4NPT	DIVERTER END CAP - 4" NPT FLANGE	2
31	RF870-65	GASKET - DIVERTER FLANGE	2
32	RF870-11F	DIVERTER HOUSING	1
35	RF120-12-OR	O-RING - DIVERTER CAP	1
36	RF120-12	DIVERTER HOUSING CAP	1
37	RF500-13	LEVER ASSEMBLY - FILTER PUMP	1
38	HBI-251-753	SHCS - 1/4"-28 NC x 3/4" LONG	1
39	RF500-62A	OIL SEAL - DIVERTER VANE	1
40	RF500-14A	SPRING - DIVERTER VANE	1
41	RF870-64A	GASKET - DIVERTER HOUSING TO FILTER	1
42	HPI-310-125	ROLL PIN - 5/16" x 1-1/4" LONG	1
43	RF870-10F	DIVERTER VANE	1
44	RF870-BUVD	DISC (PLATE) - BACK-UP VALVE	1
45	RF870-BUVC	SEAT (CAGE) - BACK-UP VALVE	1

NOTES:
 * SPECIFY PUMP ROTATION "L" OR "R" AND MOUNTING DIRECTION SIDE OR UPRIGHT
 ** DISCONTINUED ITEMS, REPLACED WITH ITEM # 52
 † USED WITH AIR INJECTION VALVE OR WITH ELIMINATOR PACKAGES

ITEM #	PART #	DESCRIPTION	QTY
46	RF870-62	GASKET - PUMP OUTLET	1
47	RF870-66A	SPRING - BACK-UP VALVE	1
48	HBM-100-401	HEX BOLT - M10 x 40mm LONG - Z.P.	8
49	RF870-9	HOUSING BASE	2
50	RF800-25A **	SIGHT HOSE	1
51	FPP-021-BSQ	PLUG - 1/4" NPT - SQ. HEAD - BLK. IRON	7
52	RF500-25SG	SIGHT GLASS	3
53	RF500-29	OIL PUMP - BI-DIRECTIONAL	1
54	RF800-189	OIL PUMP COVER (RESERVOIR)	1
55	RF800-191	GASKET - OIL RESERVOIR COVER	1
57	HBM-080-901	HEX BOLT - M8 x 90mm LONG - Z.P.	6
57A	HWM-080-05	FLAT WASHER - M8 - ALUMINUM	10
58	RF870-22A	O-RING - SEAL HOUSING	2
59	HBI-06R-380	SELF DRILLING SCREW - #6 x 3/8" LONG	9
60	HPI-16R-125	ROLL PIN - 5/32" x 1-1/4" LONG	1
61	RF500-19A	ROLLER BEARING	2
62	RF870-20A	WAVE SPRING	2
63	FPE-022-45-CS	ELBOW, 45° (FxF) - 1/4" NPT	1
64	FPC-022-BI	PIPE COUPLING - 1/4" NPT - BLK. IRON	1
65	RF870-15	SMALL SEAL HOUSING (DRIVE-END)	1
66	RF500-74	KEY - 3/8" x 1/2" x 2"	1
67	FPN-021-120-CS	PIPE NIPPLE - 1/4" NPT x 12" LONG - CS	1
68	FPE-022-90-BR	ELBOW, 90° (FxF) - 1/4" NPT - BRASS	1
69	RF500-0	HEX BOLT - 5/16"-18 NC x 1-1/2" LG. & 5/16" L/W. (INCLD. W/ ITEM #3)	3
70	HBM-080-251	HEX BOLT - M8 x 25mm LONG - Z.P.	19
71	RF870-BUVR	RING - BACK-UP VALVE	1
72	HPI-38D-200	DOWEL PIN - Ø.375 x 2.0 LONG	4
73	RF500-80A	OIL PUMP COUPLING	1
75	FPN-021-088-CS	PIPE NIPPLE - 1/4" NPT x 7/8" LONG	1
80	RF870-21	BEARING SHIMS SET .003" THK. x3 .005" THK. x2	1
90	RF870-16	BALLAST AIR PORT COVER	1
91	RF870-63	GASKET - BALLAST COVER	1
92'	FPE-122-90-CS	ELBOW, 90° (FxF) - 1-1/4" NPT	1
92A'	FPE-120-91-CS	STREET ELBOW (MxF), 90° - 1-1/4" NPT	1
93'	FPN-121-020-CS	PIPE NIPPLE - 1-1/4" NPT x 2" LONG	1
94	FPP-121-BSQ	PIPE PLUG - 1-1/4" NPT - SQU. DRIVE	1
100	HBM-100-301	HEX BOLT - M10 x 30mm LONG - Z.P.	16
100A	HWM-100-21	LOCK WASHER - M10 - Z.P.	36

PROPRIETARY AND CONFIDENTIAL
 THE INFORMATION CONTAINED IN THIS DRAWING IS THE SOLE PROPERTY OF FRUITLAND MANUFACTURING. ANY REPRODUCTION IN PART OR AS A WHOLE WITHOUT THE WRITTEN PERMISSION OF FRUITLAND MFG. IS PROHIBITED.

ITEM #	PART #	DESCRIPTION	QTY
101	HBM-100-251	HEX BOLT - M10 x 25mm - Z.P.	8
130	RF870-1	870 PUMP HOUSING	1
140	RF870-60	GASKET - HOUSING END CAP	2
150	RF870-3	HOUSING END CAP	2
170	RF870-51*	COMPLETE OIL LINE SET FOR 870 PUMPS INCLD. EXTERNAL OIL LINES, OIL PUMP LINES, & HARDWARE	1
180	HBI-818-756	SELF-TAPPING SCREW - #8-18 x 3/4" LG.	1
181	RF120-51	OIL LINE CLAMP - ALUMINUM	1
190	RF500-190P	BREATHER FILLER CAP	1
560	RF870-22	SEAL HOUSING (NON-DRIVE END)	1
600	RF500-F00	STAR KNOB - 55mm	1
601	HWM-100-06	COPPER WASHER	1
602	RF500-FL	FILTER BOX LID	1
603	RF870-7-FB	FILTER BOX	1
604	RF500-FB-OR	O-RING - FILTER BOX	1
605	RF500-FC	FILTER CARTRIDGE, S.S.	1
607	RF500-F07	HEX BOLT - M8 x 30mm LONG - Z.P.	4
607A	HWM-080-21	LOCK WASHER - M8 - Z.P.	19
608	HBM-080-305	SHCS - M8 x 30mm LONG	4
700	RF870-BH	BELL HOUSING	1
701	RF500-MP	HYDRAULIC MOTOR MOUNTING PLATE	1
702	RF500-GR	GUARD RING	4
703	HBM-100-501	HEX BOLT - M10 x 50mm LONG - Z.P.	4
704	HBM-080-351	HEX BOLT - M8 x 35mm LONG - Z.P.	8
705	HWM-080-01	FLAT WASHER - M8 - Z.P.	8
706	F190-XXX	F190 FLANGES 42mm & SPECIFY OTHER	2
707	F190-INS	F190 COUPLING INSERT	1
708	HBI-38S-503	SET SCREW - 3/8"-16 NC x 1/2" LG.	2
712	FPP-151-BSQ	PIPE PLUG - 1-1/2" NPT - BLK. IRON	1
713	RF500-ADA2	ANGLE DRIVE ADAPTOR PLATE	1
INS	RF500-INS	OIL INSTRUCTION TAG	1
DIR	RF500-DIR	DIRECTION TAG	1
NAM	RF500-NAM	NAME PLATE	1

	NAME	DATE	 <small>324 Leaside Avenue Stoney Creek, Ontario, CANADA L8E 2N7 Phone: (905) 662-6552 Fax: (905) 662-9875</small>
CREATED	Z.D.	12/24/2015	
CHECKED	K.A.	12/24/2015	TITLE:
UNLESS OTHERWISE SPECIFIED: DIMENSIONS ARE IN INCHES TOLERANCES: FRACTIONAL OR .X = ±.015 .XX = ±.010 .XXX = ±.005			870 DETAILED ITEMS - FILTER MODEL
MATERIAL			DWG. NO.
--			870-BOM
SCALE: 1:10			REV
WEIGHT:--			5
SHEET 2 OF 2			